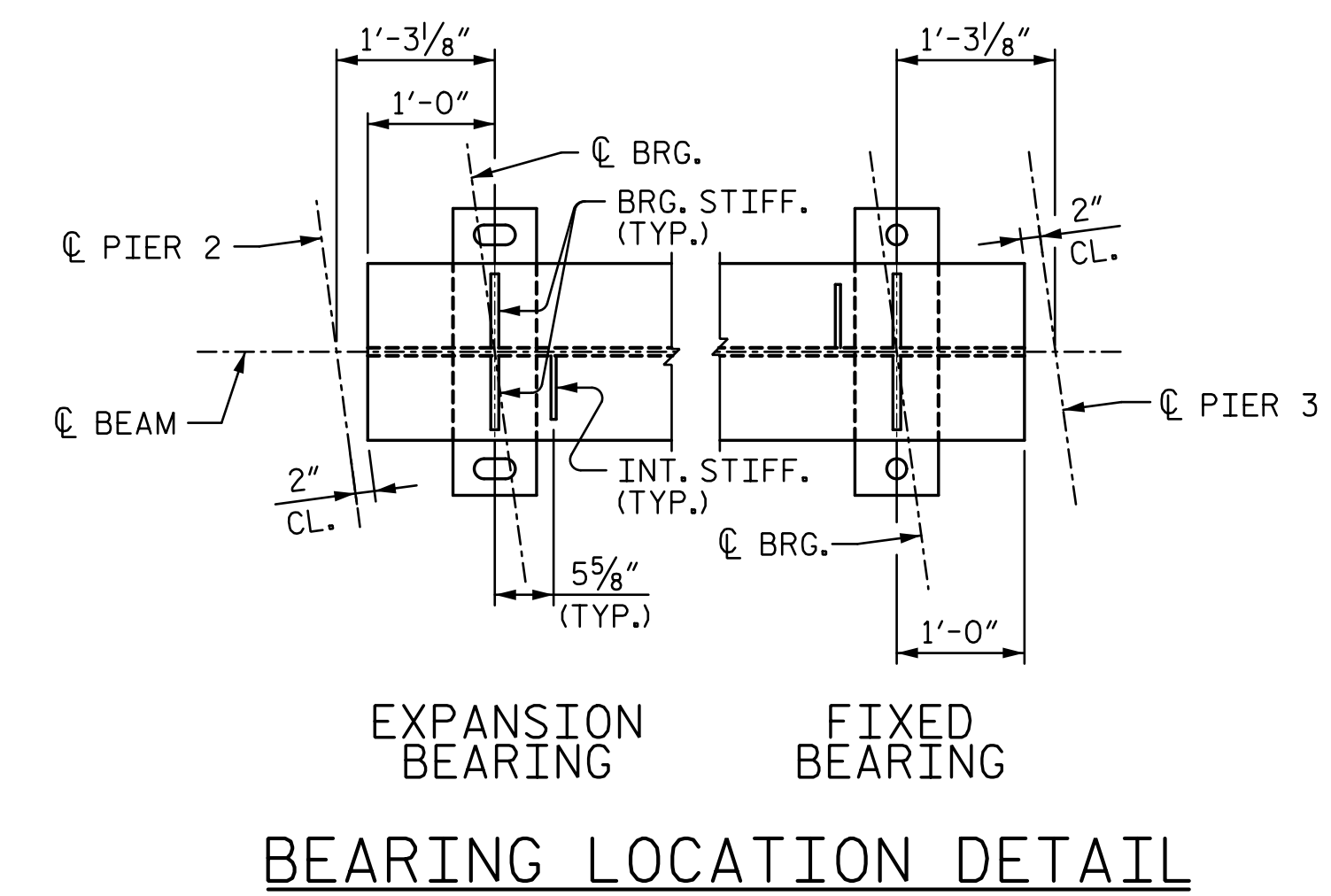
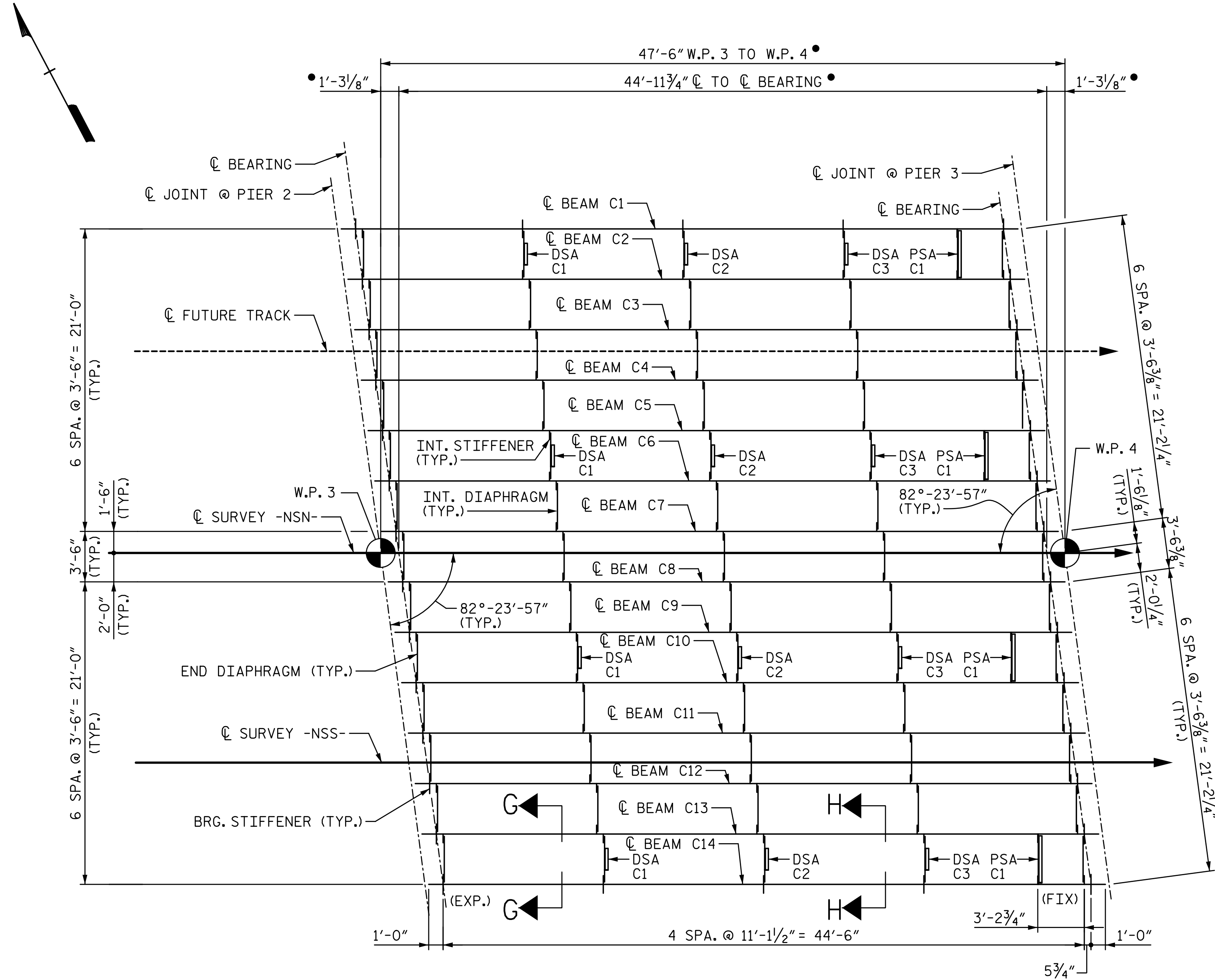


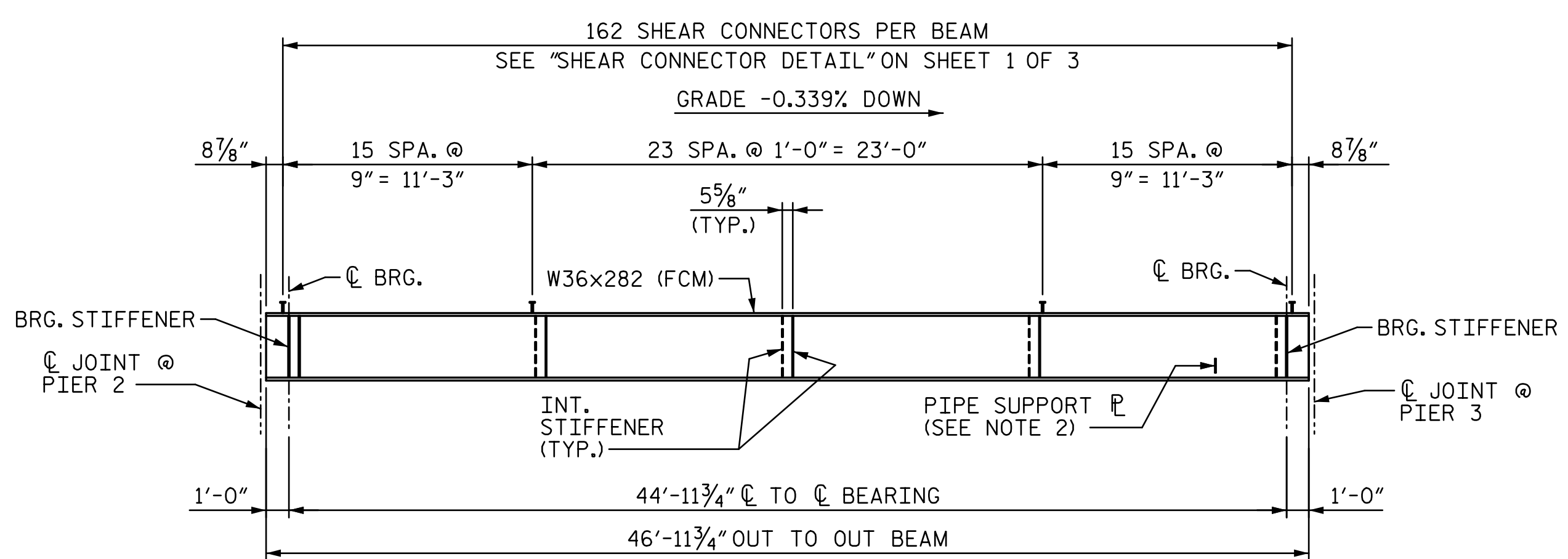
NOTES:

1. ALL DIMENSIONS ON THIS SHEET ARE HORIZONTAL.
2. FOR PIPE SUPPORT ANGLE (PSA) DETAILS, SEE "STRUCTURE DRAINAGE SYSTEM" SHEET 2 OF 4.
3. FOR DIAPHRAGM SUPPORT ANGLE (DSA) DETAILS, SEE "STRUCTURE DRAINAGE SYSTEM" SHEET 2 OF 4 AND "STRUCTURAL STEEL DETAILS" SHEET.
4. FOR SHEAR CONNECTOR DETAIL, SEE SHEET 1 OF 3.

• DIMENSIONS ARE ALONG
 ☉ SURVEY -NSN-



PLAN - SPAN C
 ALL BEAMS ARE PARALLEL TO ☉ SURVEY -NSN-



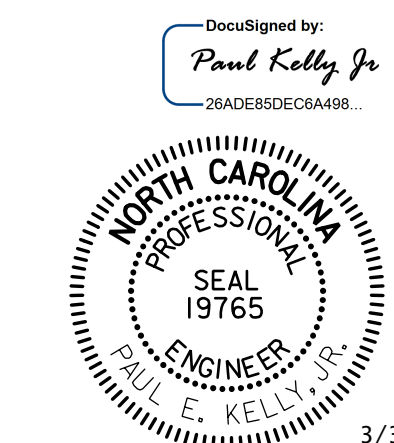
ELEVATION - SPAN C

PROJECT NO. U-3308
 DURHAM COUNTY
 STATION: POT 24+09.63 -LALT-
POT 21+11.43 -NSN-

SHEET 3 OF 3

STATE OF NORTH CAROLINA
 DEPARTMENT OF TRANSPORTATION
 RALEIGH

FRAMING PLAN & GIRDER DETAILS



REVISIONS				SHEET NO.			
NO.	BY:	DATE:	NO.	BY:	DATE:	S3-20	
1			3			TOTAL SHEETS 44	
2			4				

STV / Ralph Whitehead Associates, Inc.
 900 W Trade Street, Suite 715
 Charlotte, NC 28202
 NC License No. F-0991

DOCUMENT NOT CONSIDERED FINAL
 UNLESS ALL SIGNATURES COMPLETED

I:\PROJ\251325\ustation\struct\Final\403_020_U3308_SML_FP6003.dgn
 3/30/2015 4:40:17 PM
 olveyac

DRAWN BY : MTC DATE : 06-14
 CHECKED BY : DJM DATE : 06-14