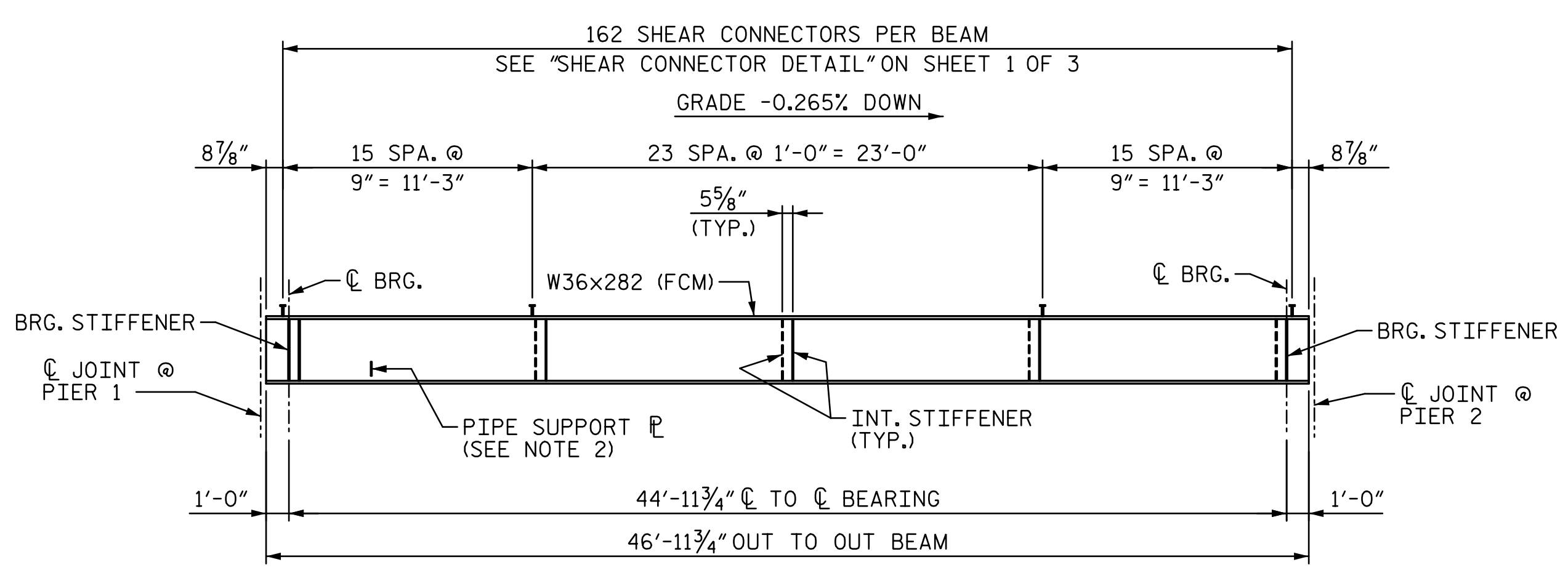
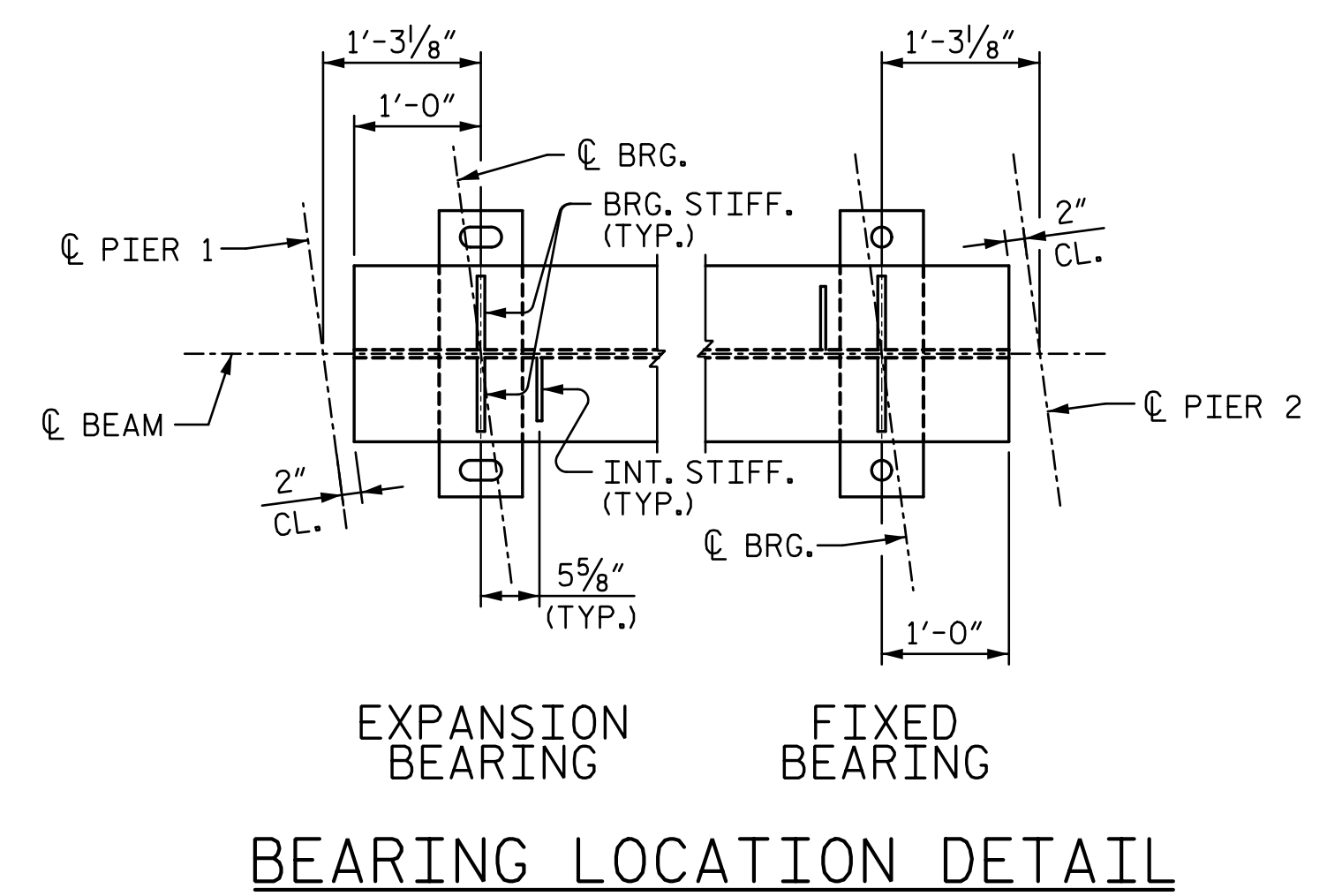
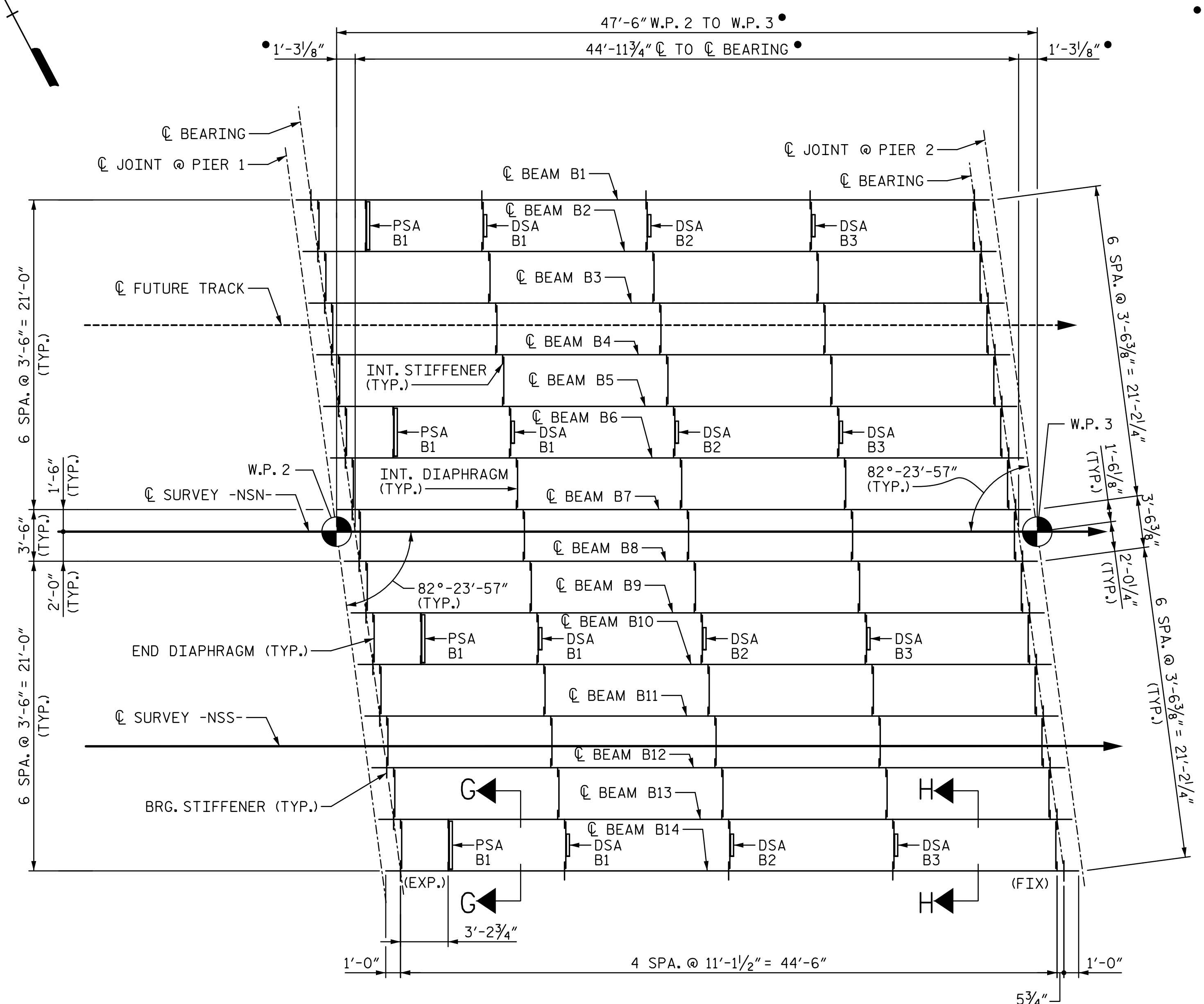


• DIMENSIONS ARE ALONG
 CL SURVEY -NSN-

- NOTES:**
1. ALL DIMENSIONS ON THIS SHEET ARE HORIZONTAL.
 2. FOR PIPE SUPPORT ANGLE (PSA) DETAILS, SEE "STRUCTURE DRAINAGE SYSTEM" SHEET 2 OF 4.
 3. FOR DIAPHRAGM SUPPORT ANGLE (DSA) DETAILS, SEE "STRUCTURE DRAINAGE SYSTEM" SHEET 2 OF 4 AND "STRUCTURAL STEEL DETAILS" SHEET.
 4. FOR SHEAR CONNECTOR DETAIL, SEE SHEET 1 OF 3.

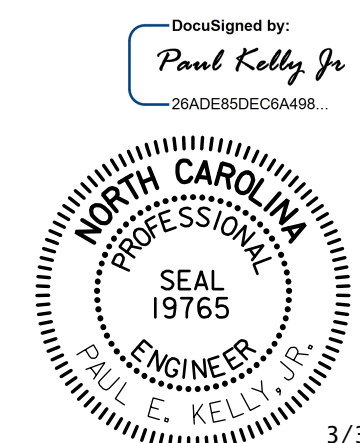


i:\PROJ\251325\ustation\struct\Final\403_019_U3308_SMU_FPGD02.dgn 3/30/2015 4:40:16 PM olveyac

DRAWN BY : **MTC** DATE : **06-14**
 CHECKED BY : **DJM** DATE : **06-14**

DOCUMENT NOT CONSIDERED FINAL
 UNLESS ALL SIGNATURES COMPLETED

STV / Ralph Whitehead Associates, Inc.
 900 W Trade Street, Suite 715
 Charlotte, NC 28202
 NC License No. F-0991



PROJECT NO. U-3308
 DURHAM COUNTY
 STATION: POT 24+09.63 -LALT-
POT 21+11.43 -NSN-

SHEET 2 OF 3

REVISIONS						SHEET NO.
NO.	BY:	DATE:	NO.	BY:	DATE:	S3-19
1			3			TOTAL SHEETS
2			4			44

STATE OF NORTH CAROLINA
 DEPARTMENT OF TRANSPORTATION
 RALEIGH

FRAMING PLAN & GIRDER DETAILS