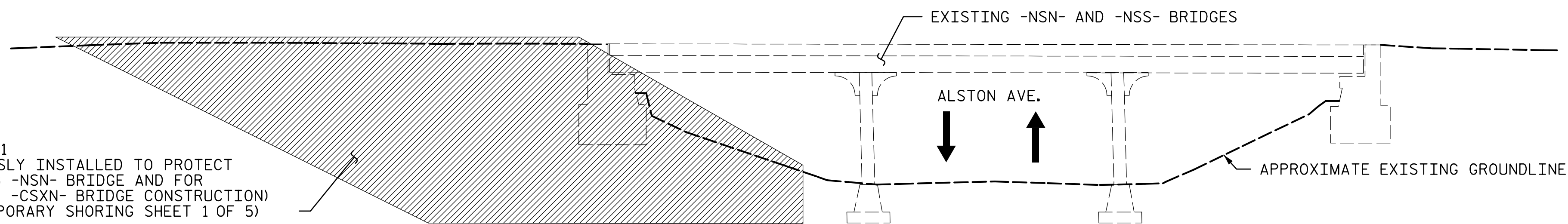
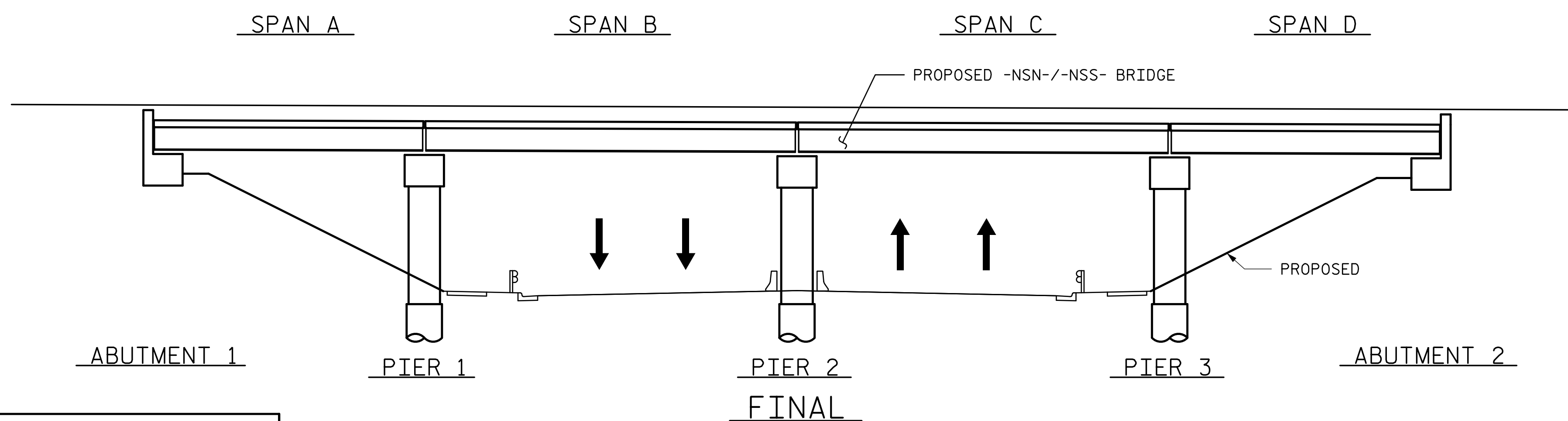
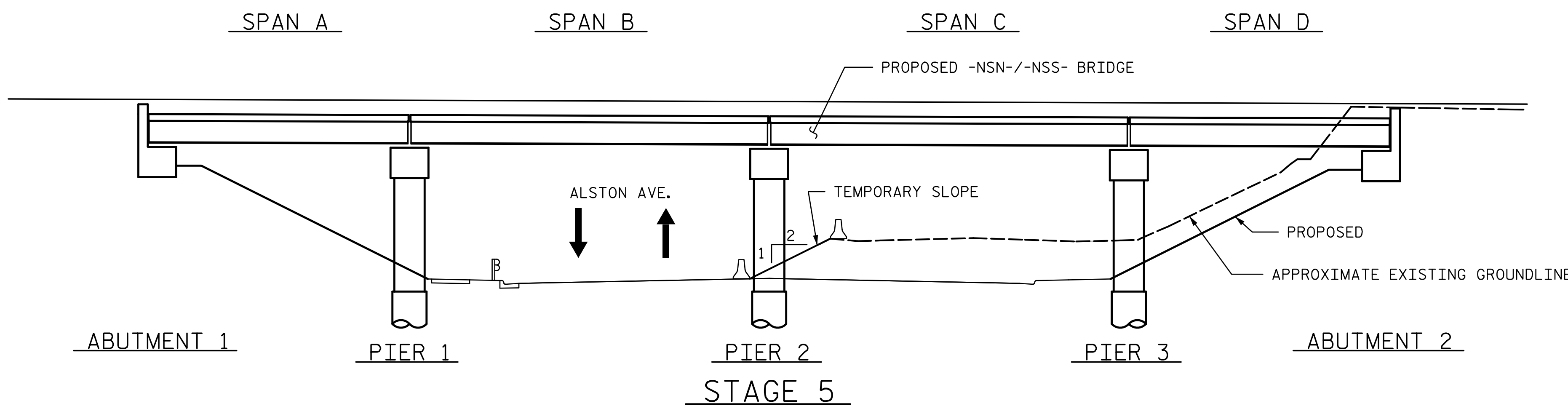
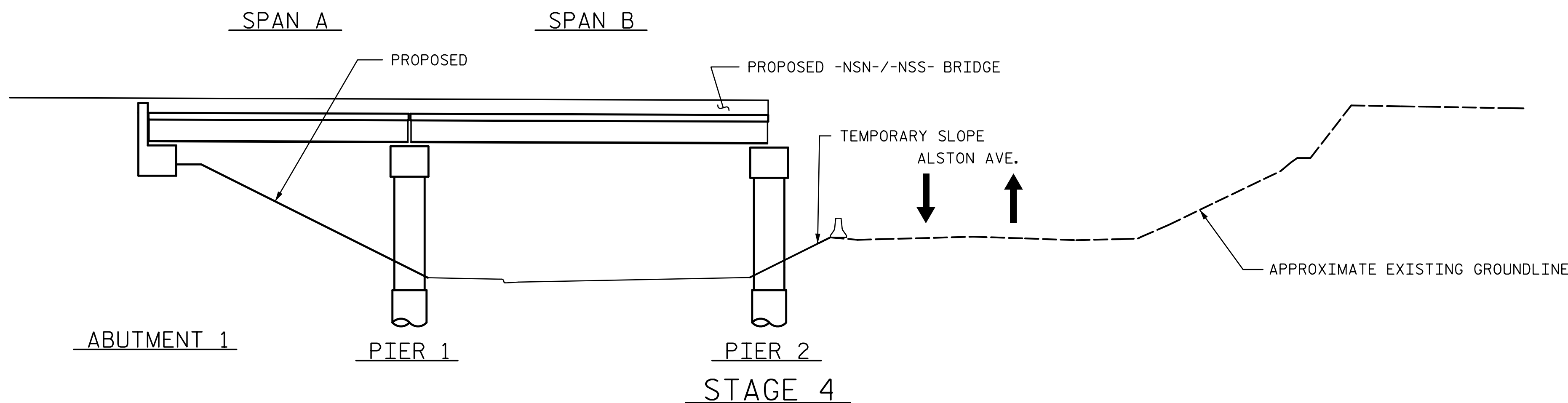


SHORING 1
(PREVIOUSLY INSTALLED TO PROTECT
EXISTING -NSN- BRIDGE AND FOR
PROPOSED -CSXN- BRIDGE CONSTRUCTION)
(SEE TEMPORARY SHORING SHEET 1 OF 5)



STAGES 1-3

(SECTION ALONG EXISTING -NSN-/-NSS- BRIDGES AFTER CONSTRUCTION OF PROPOSED -CSXN- BRIDGE AND -NSD2- TRACK)



TRAFFIC STAGING:

NOTES: SEE RAIL TRAFFIC STAGING ON "CONSTRUCTION STAGING" SHEETS FOR ADDITIONAL INFORMATION.

SEE PLANS FOR BRIDGE ON CSX FOR TRAFFIC STAGING STAGES 1 AND 2.

TRAFFIC STAGING BELOW SHALL BE IN CONJUNCTION WITH TRAFFIC STAGING SHOWN ON PLANS FOR BRIDGE ON CSX.

TEMPORARY SHORING 2 AND 3 TO BE INSTALLED DURING CONSTRUCTION OF -CSXN- BRIDGE.

STAGES 1-3

ALSTON AVE. TRAFFIC TO REMAIN IN EXISTING POSITION.

REMOVE EXISTING -NSN- AND -NSS- BRIDGES.

EXCAVATE ADJACENT TO TEMPORARY SHORING 1 AREA.

REMOVE TEMPORARY SHORING 1.

STAGE 4

CONSTRUCT PROPOSED -NSN-/-NSS- BRIDGE, SPANS A AND B.

STAGE 5

SHIFT ALSTON AVE. TRAFFIC TO CONSTRUCTED ROADWAY UNDER SPAN B AS SHOWN.

EXCAVATE REMAINDER OF EXISTING GROUND.

REMOVE TEMPORARY SHORING 2. (REMOVE ADDITIONAL SHORING AT PIER 2 IF REQUIRED.)

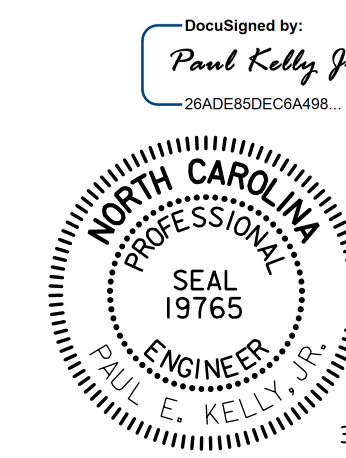
CONSTRUCT SPANS C AND D OF PROPOSED -NSN-/-NSS- BRIDGE. CONSTRUCT REMAINDER OF ROADWAY FOR ALSTON AVE.

REMOVE TEMPORARY SHORING 3.

FINAL

SHIFT ALSTON AVE. TRAFFIC TO FINAL POSITIONS.

PROJECT NO. U-3308
DURHAM COUNTY
STATION: POT 24+09.63 -LALT-
POT 21+11.43 -NSN-



3/31/2015

STATE OF NORTH CAROLINA
DEPARTMENT OF TRANSPORTATION
RALEIGH

TRAFFIC STAGING

REVISIONS				SHEET NO.	
NO.	BY:	DATE:	NO.	BY:	DATE:
1			3		
2			4		

TOTAL SHEETS: 44

DRAWN BY : **NMC** DATE : **06-14**
CHECKED BY : **DJM** DATE : **06-14**

DOCUMENT NOT CONSIDERED FINAL
UNLESS ALL SIGNATURES COMPLETED

STV / Ralph Whitehead Associates, Inc.
900 W Trade Street, Suite 715
Charlotte, NC 28202
NC License No. F-0991

i:\PROJ\251325\ustation\struc\final\403_007_U3308_SMU_TRSOI.dgn 3/30/2015 1:40:11 PM olveyac