

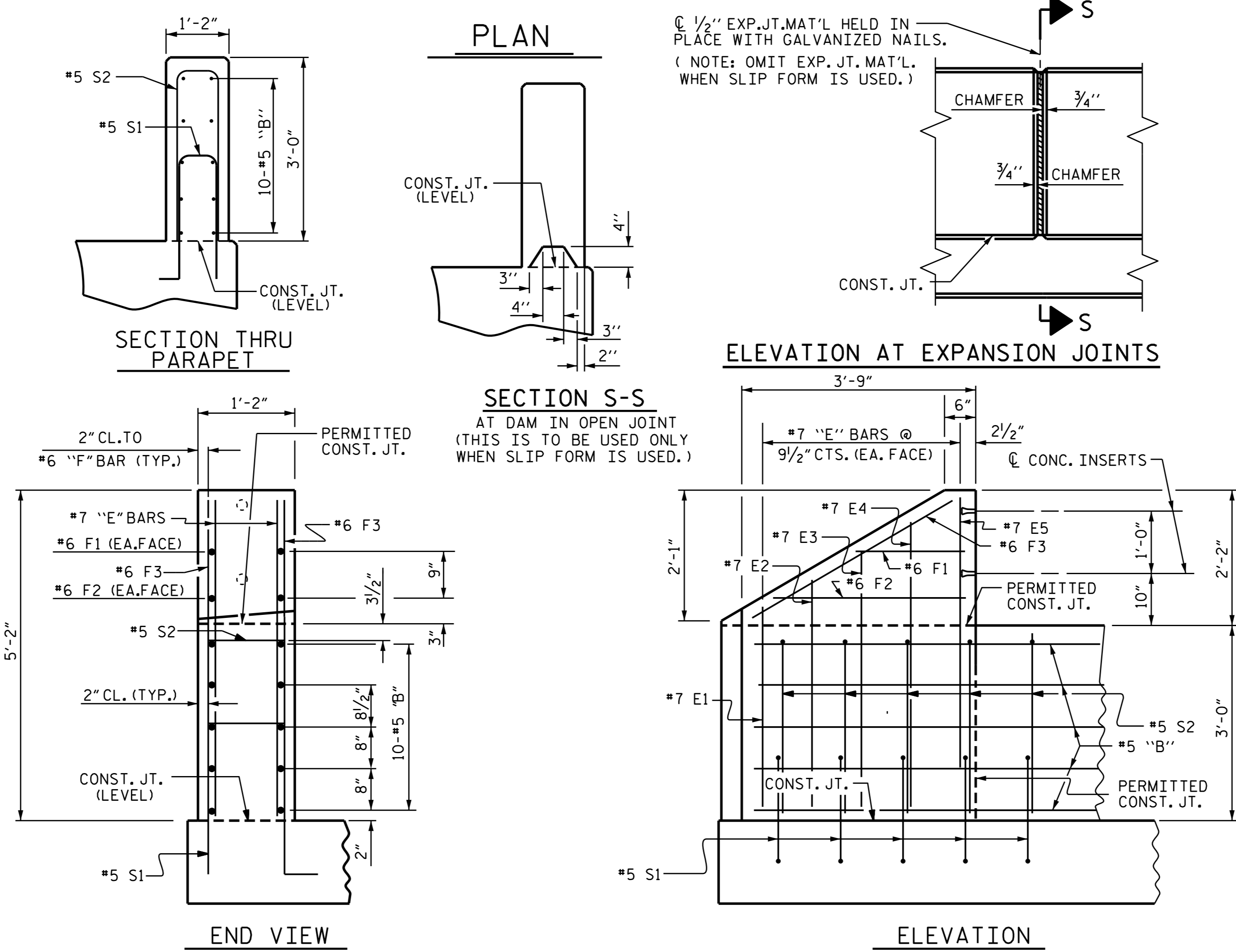
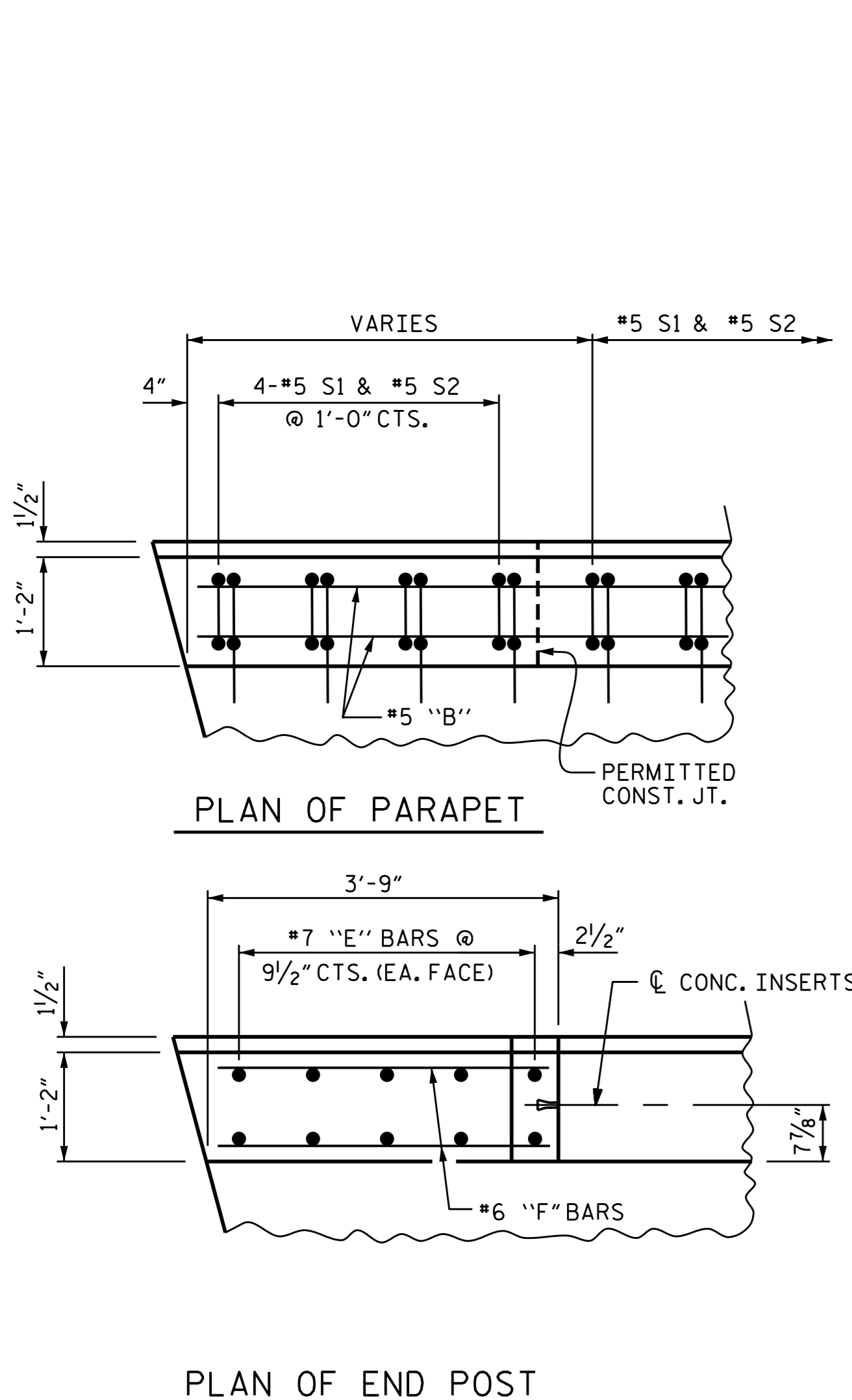
**BAR TYPES**

ALL BAR DIMENSIONS ARE OUT TO OUT.

**BILL OF MATERIAL**

FOR CONCRETE PARAPET AND END POSTS

BAR	NO.	SIZE	TYPE	LENGTH	WEIGHT
* B1	20	#5	STR	24'-10"	518
* B2	80	#5	STR	25'-7"	2135
* B3	20	#5	STR	26'-1"	544
* E1	8	#7	STR	3'-0"	49
* E2	8	#7	STR	3'-6"	57
* E3	8	#7	STR	4'-0"	65
* E4	8	#7	STR	4'-6"	74
* E5	8	#7	STR	4'-10"	79
* F1	8	#6	STR	1'-10"	22
* F2	8	#6	STR	3'-0"	36
* F3	8	#6	STR	3'-8"	44
* S1	312	#5	1	5'-7"	1817
* S2	312	#5	2	6'-4"	2061
* EPOXY COATED REINFORCING STEEL				LBS.	7,501
CLASS AA CONCRETE				CU. YDS.	41.2
1'-2" X 3'-0" CONCRETE PARAPET				LN. FT.	311.63



**NOTES**

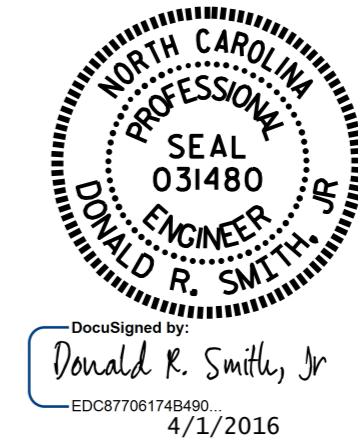
CONCRETE PARAPET IN A CONTINUOUS UNIT SHALL NOT BE CAST UNTIL ALL SLAB CONCRETE IN THAT UNIT HAS BEEN CAST AND HAS REACHED A MINIMUM COMPRESSIVE STRENGTH OF 3,000 PSI.

ALL REINFORCING STEEL IN PARAPETS AND END POSTS SHALL BE EPOXY COATED.

FOR LOCATION OF GUARDRAIL ANCHOR ASSEMBLIES, SEE "GUARDRAIL ANCHORAGE FOR METAL RAILS" SHEET.

GROOVED CONTRACTION JOINTS, 1/2" IN DEPTH, SHALL BE TOOLED IN ALL EXPOSED FACES OF THE PARAPET AND IN ACCORDANCE WITH ARTICLE 825-10(B) OF THE STANDARD SPECIFICATIONS. THE CONTRACTION JOINT SHALL BE LOCATED AT EACH THIRD POINT BETWEEN PARAPET EXPANSION JOINTS. ONLY ONE CONTRACTION JOINT IS REQUIRED AT MIDPOINT OF PARAPET SEGMENTS LESS THAN 20 FEET IN LENGTH AND NO CONTRACTION JOINTS ARE REQUIRED FOR THOSE SEGMENTS LESS THAN 10 FEET IN LENGTH.

PROJECT NO. U-3308  
 DURHAM COUNTY  
 STATION: 23+00.86-LALT-



ASSEMBLED BY : P.S. ADKINS DATE : 4/23/14  
 CHECKED BY : J.D. HAWK DATE : 5/29/14  
 DRAWN BY : MAA 5/10 REV. 10/1/11 MAA/GM  
 CHECKED BY : GM 5/10 REV. 12/5/11 MAA/GM  
 REV. 6/13 MAA/GM

DOCUMENT NOT CONSIDERED FINAL UNLESS ALL SIGNATURES COMPLETED

REVISIONS						SHEET NO.
NO.	BY:	DATE:	NO.	BY:	DATE:	S2-21
1			3			TOTAL SHEETS
2			4			32