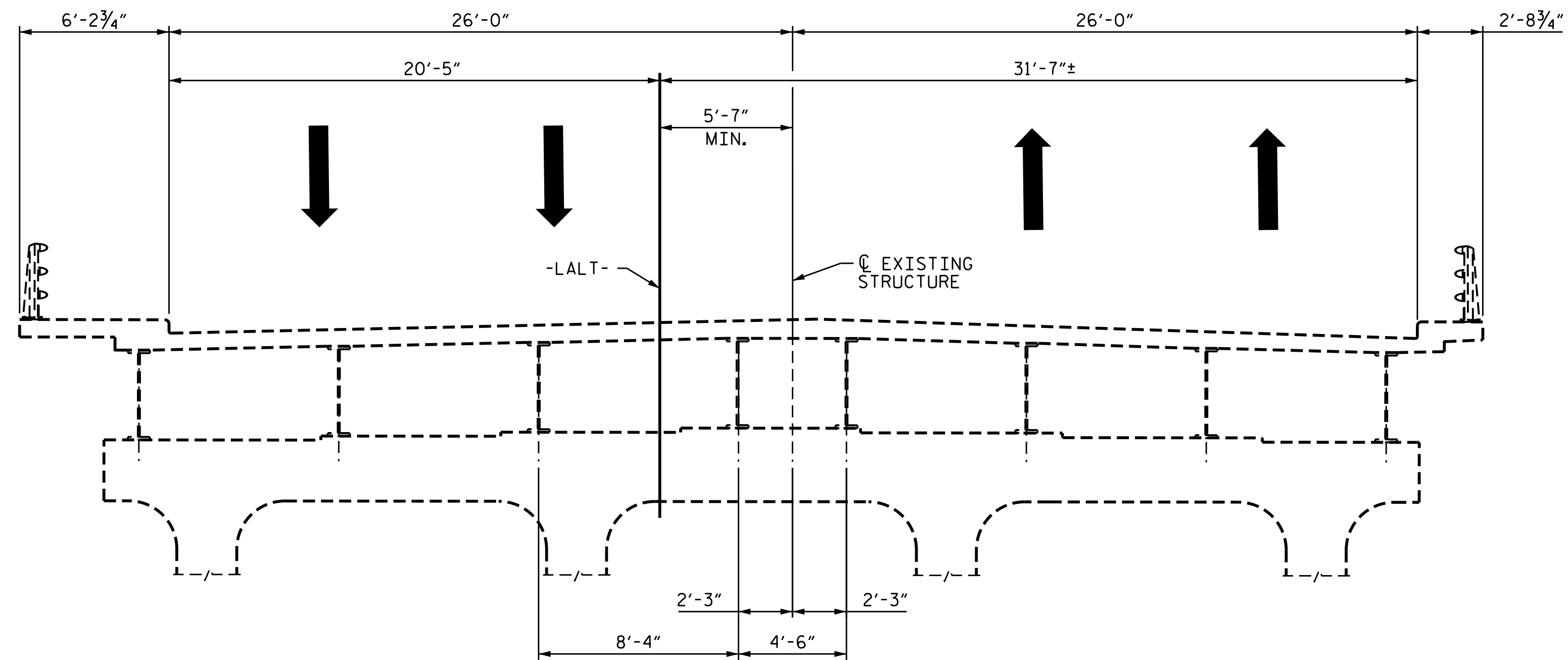


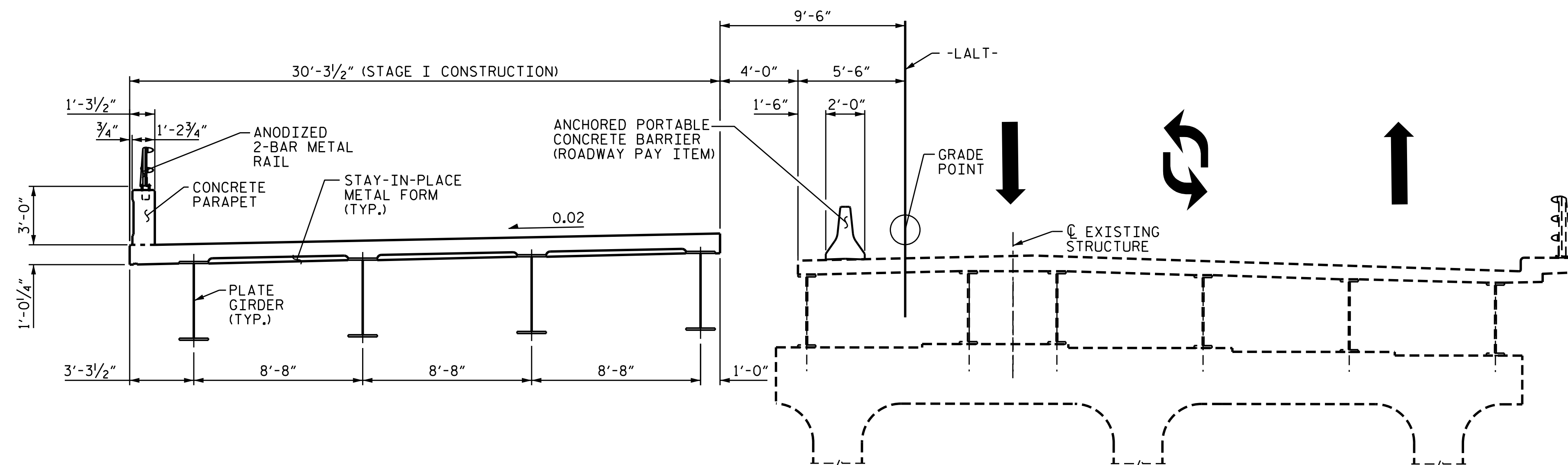
NOTE

SEE TRANSPORTATION MANAGEMENT PLANS FOR LOCATION AND PAY LIMITS OF THE ANCHORED PORTABLE CONCRETE BARRIER.

FOR PHASING AND MAINTENANCE OF TRAFFIC, SEE TRANSPORTATION MANAGEMENT PLANS.



EXISTING STRUCTURE



PROPOSED STAGE I

EXISTING STRUCTURE

STAGE I

MAINTAIN 2-WAY TRAFFIC ON EXISTING STRUCTURE.
REMOVE PART OF EXISTING STRUCTURE AS SHOWN.
CONSTRUCT STAGE I OF PROPOSED STRUCTURE.

PROJECT NO. U-3308
DURHAM COUNTY
STATION: 16+42.70-LALT-

SHEET 1 OF 2



DocuSigned by:
Donald R. Smith, Jr.
EDC87706174B490
4/1/2016

STATE OF NORTH CAROLINA
DEPARTMENT OF TRANSPORTATION
RALEIGH

CONSTRUCTION SEQUENCE

DRAWN BY : P.S. ADKINS DATE : 11-1-14
CHECKED BY : T.H. CARROLL DATE : 11-15-14
DESIGN ENGINEER OF RECORD: D.R. SMITH DATE : 11-22-14

DOCUMENT NOT CONSIDERED
FINAL UNLESS ALL
SIGNATURES COMPLETED

REVISIONS						SHEET NO.
NO.	BY:	DATE:	NO.	BY:	DATE:	TOTAL SHEETS
1			3			S1-5
2			4			47