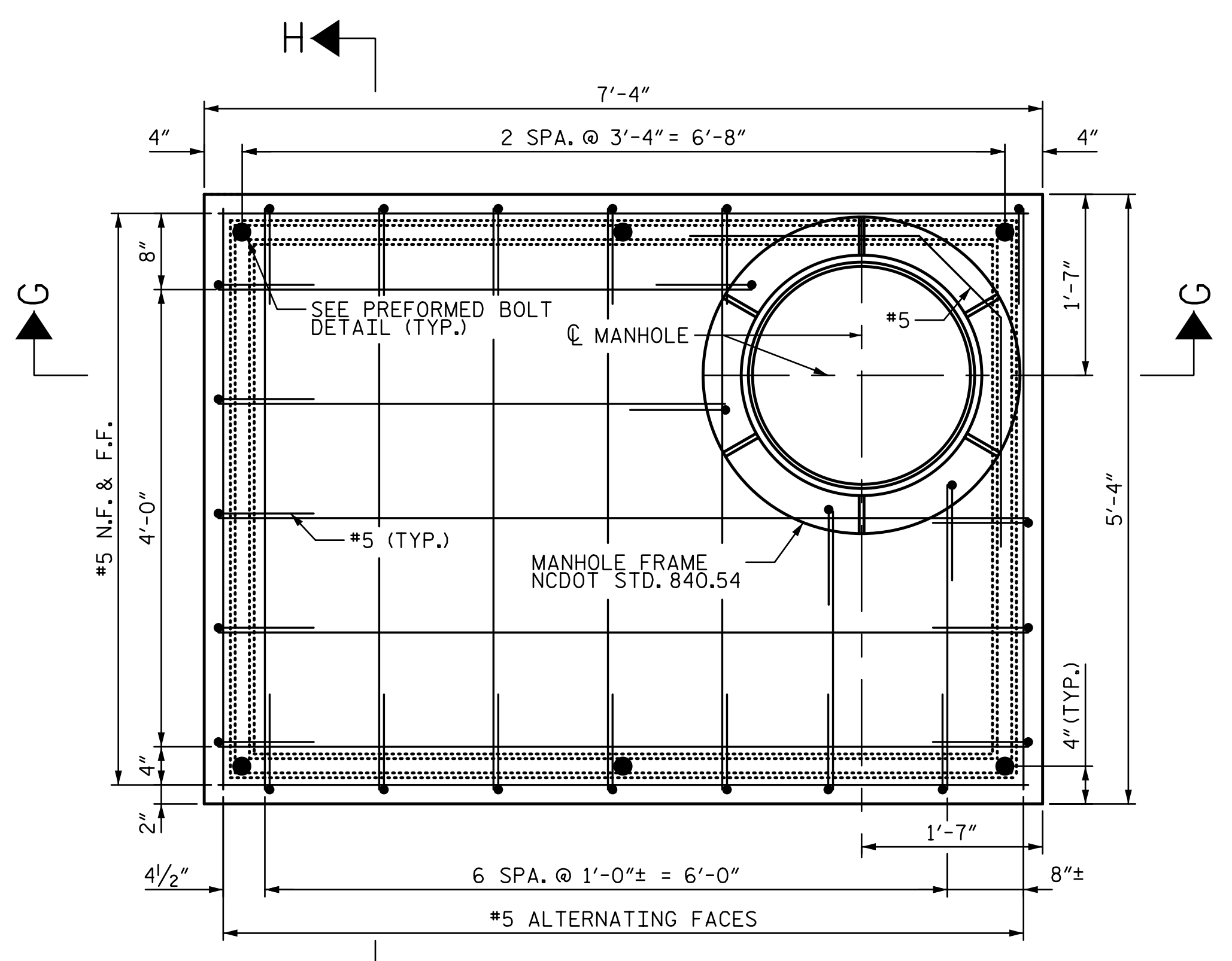


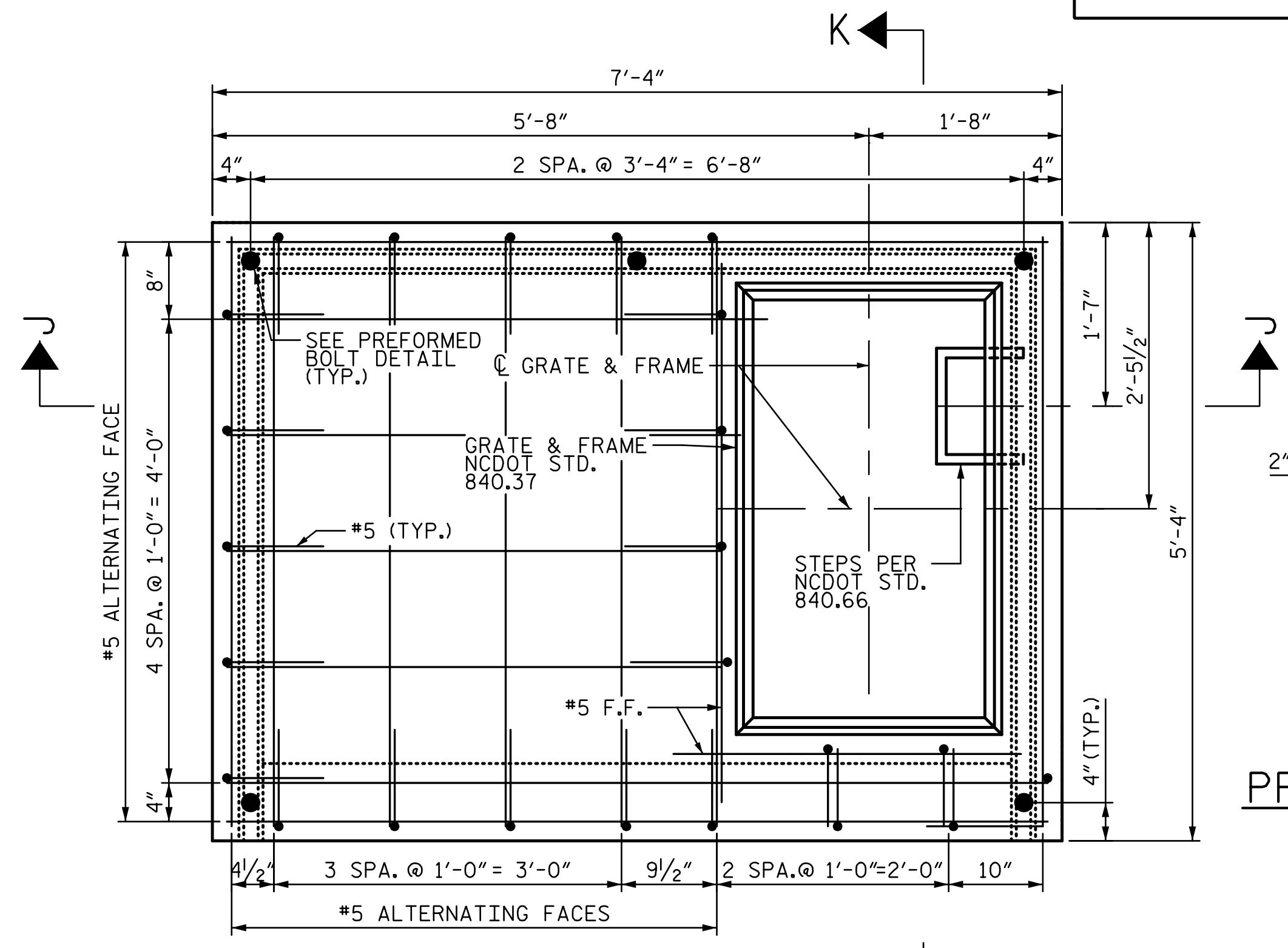
NSR BRIDGE MP H-56.10  
CSXT BRIDGE MP SB-154.61

PROJECT REFERENCE NO. <b>U-3308</b>	SHEET NO. <b>RR-29</b>
RW SHEET NO.	
STRUCTURES ENGINEER	

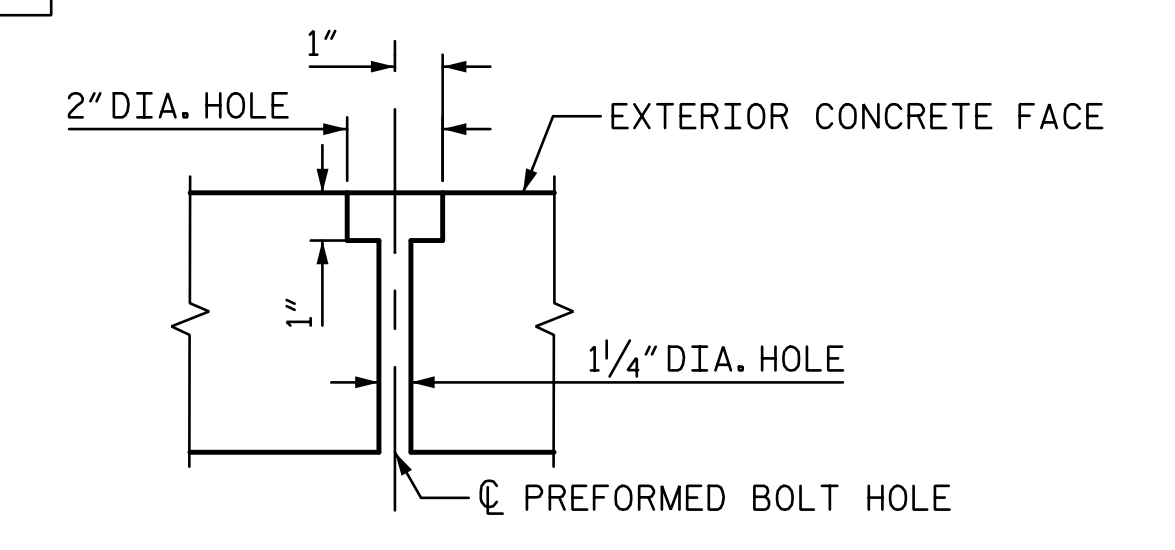
DOCUMENT NOT CONSIDERED FINAL  
UNLESS ALL SIGNATURES COMPLETED



**MANHOLE LID - PLAN**  
(QUANTITY 2)

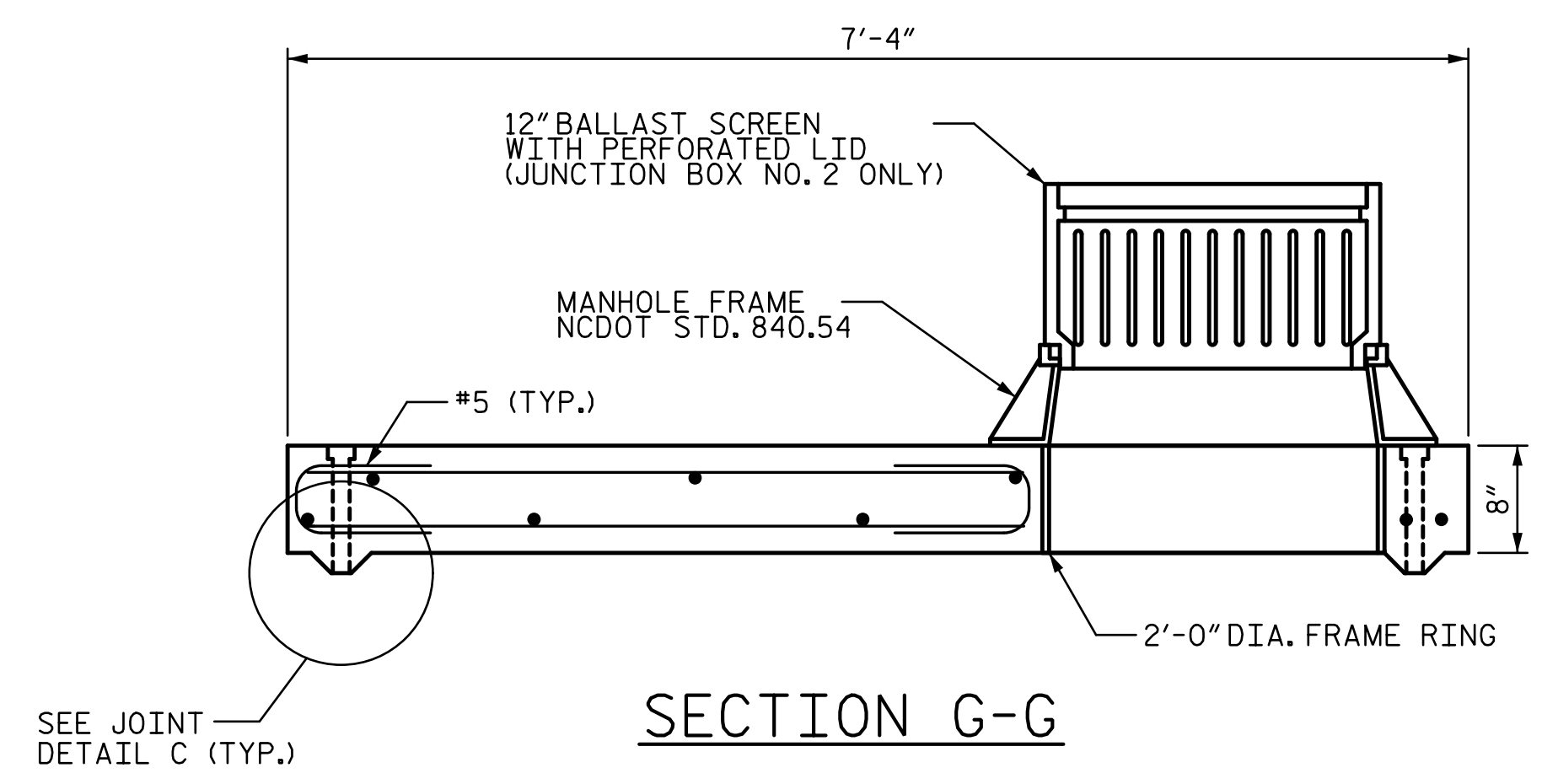


**TEMPORARY GRATE LID - PLAN**  
(QUANTITY 1)

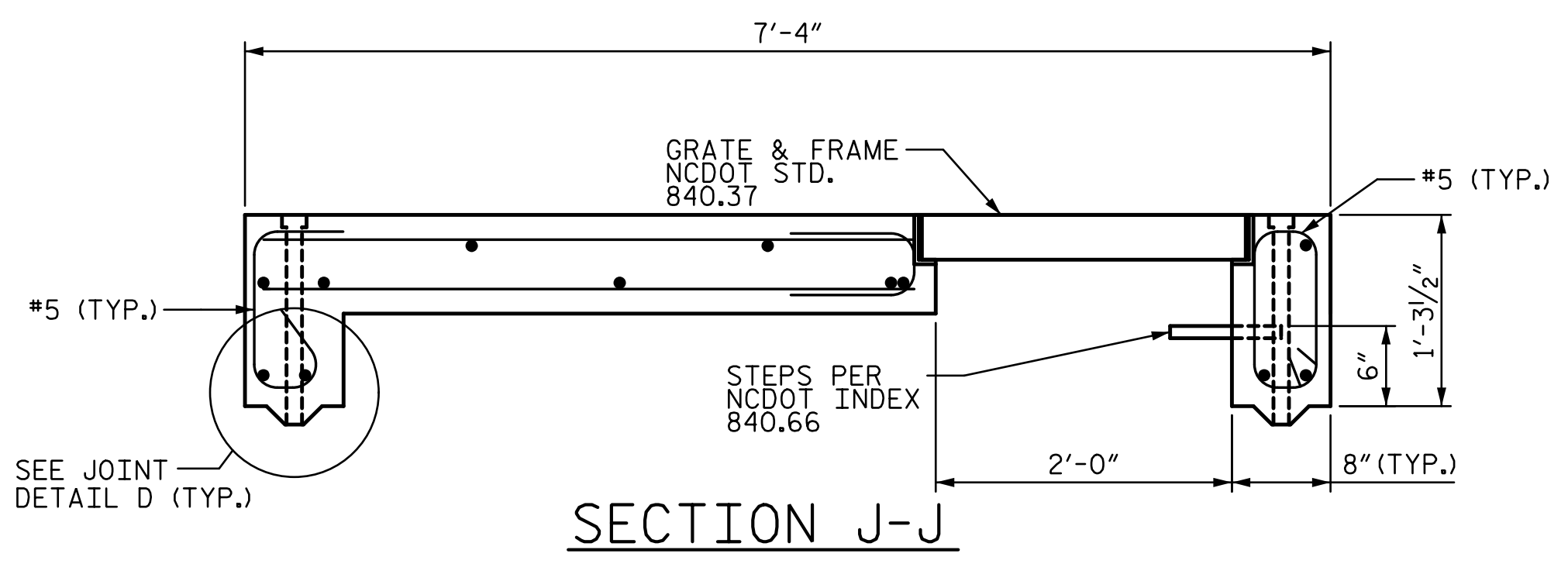


**PREFORMED BOLT DETAIL**

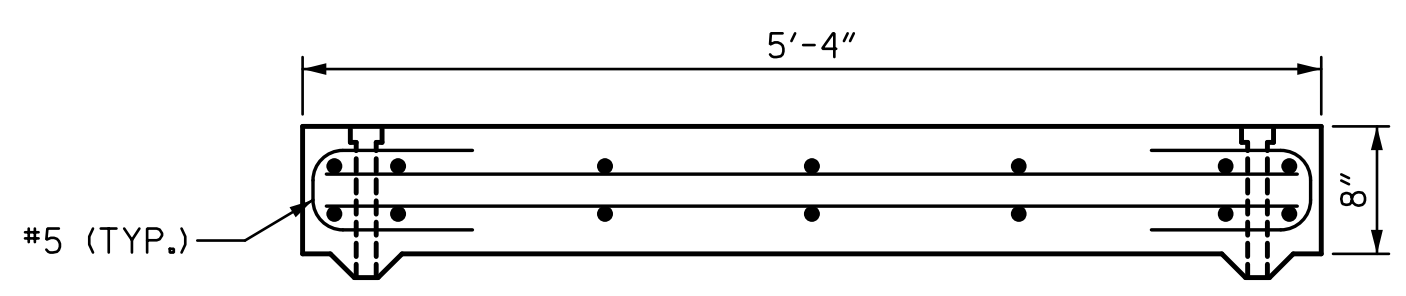
**NOTES:**  
1. CLEAR COVER SHALL BE 1/2" TYPICAL.



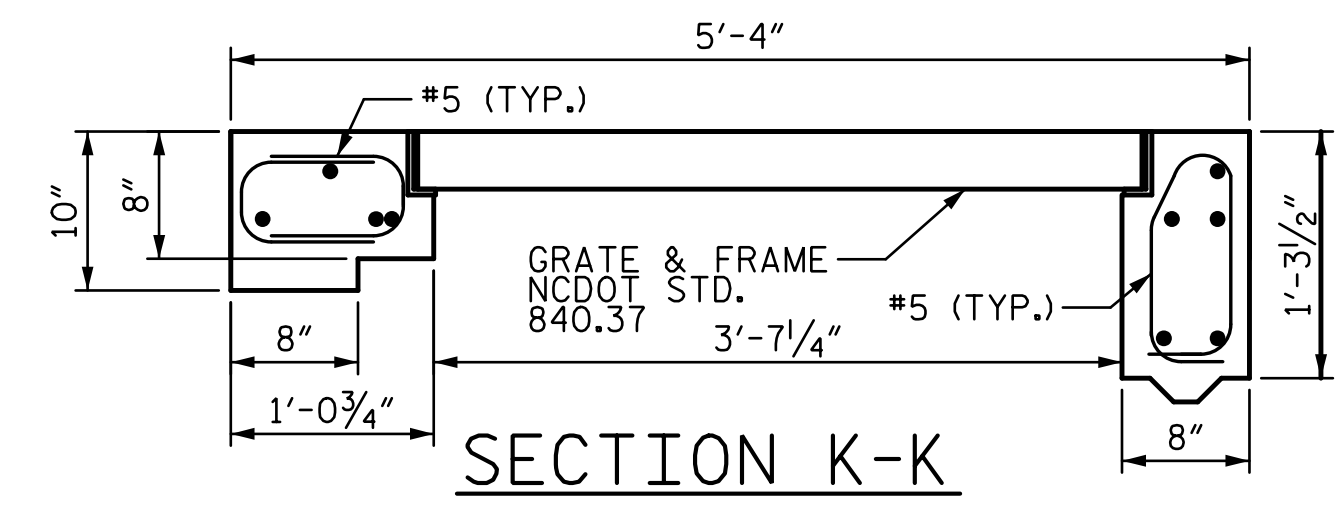
**SECTION G-G**



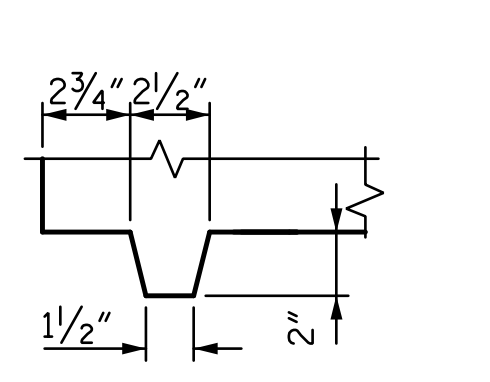
**SECTION J-J**



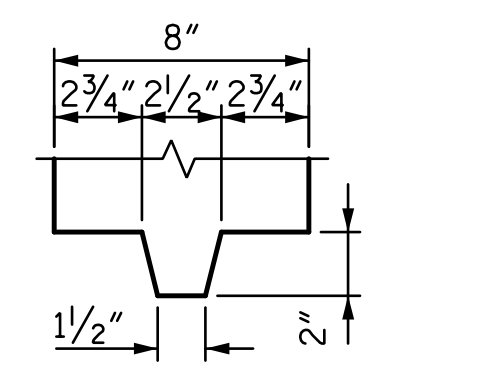
**SECTION H-H**



**SECTION K-K**



**JOINT DETAIL C**



**JOINT DETAIL D**

i:\PROJ\251325\Illustration\struct\Junction Box Lids.dgn  
 7:27:20 AM  
 9/15/2015  
 chf+hmb