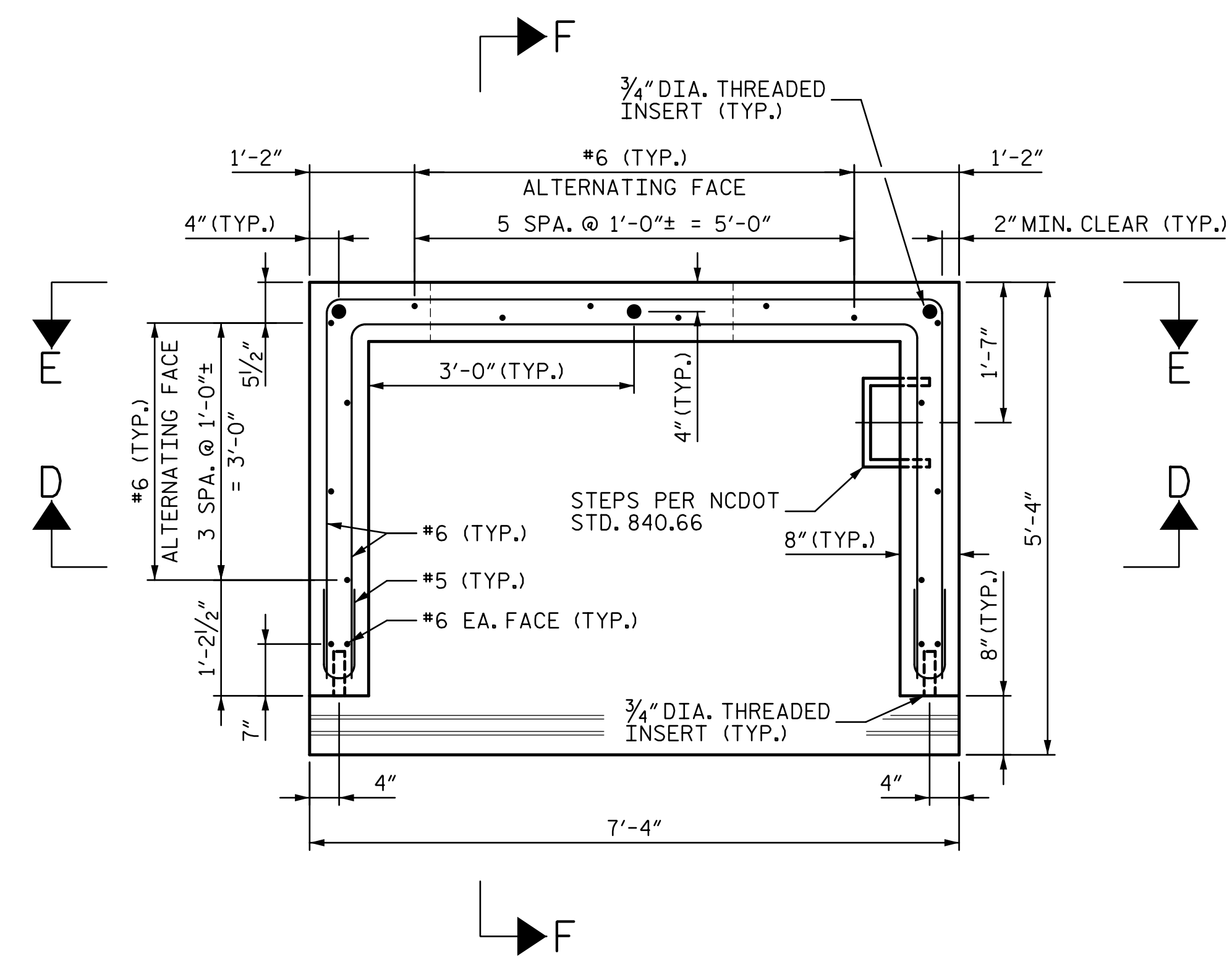
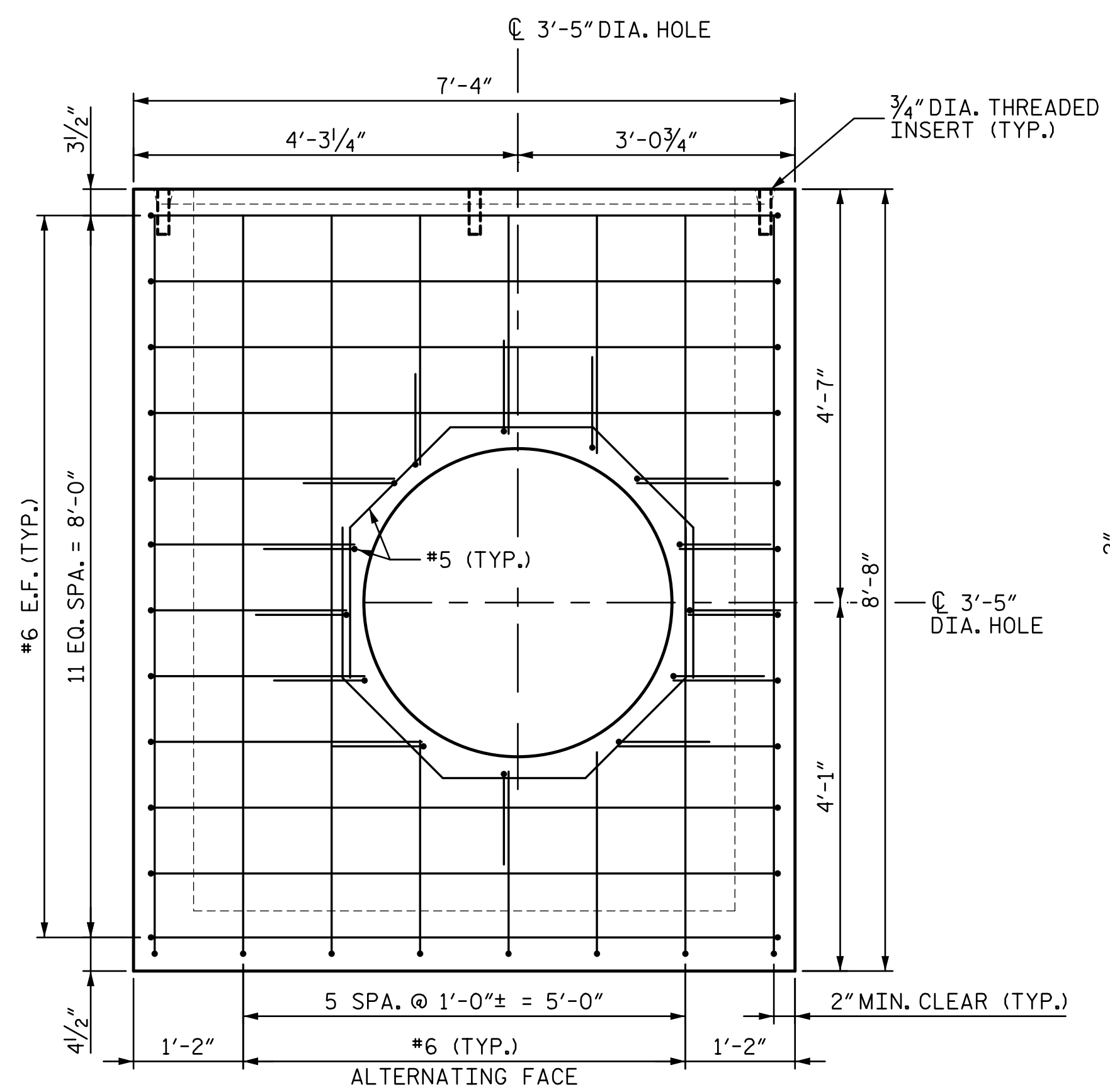


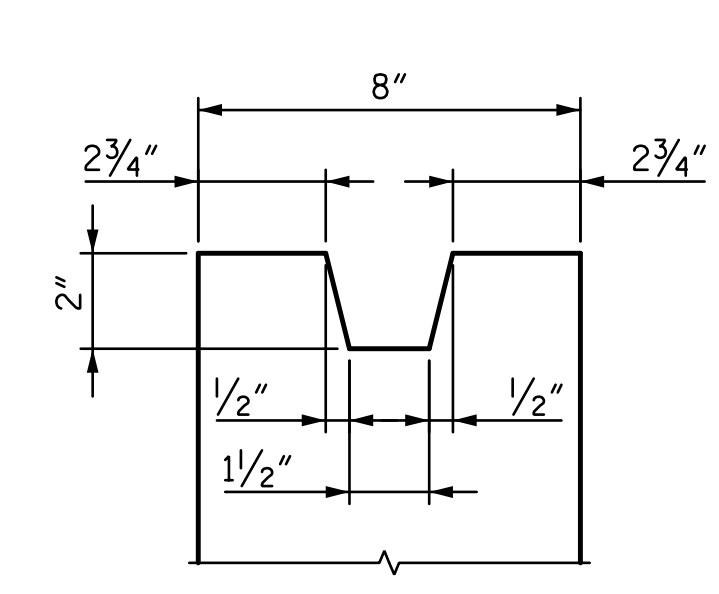
DOCUMENT NOT CONSIDERED FINAL
UNLESS ALL SIGNATURES COMPLETED



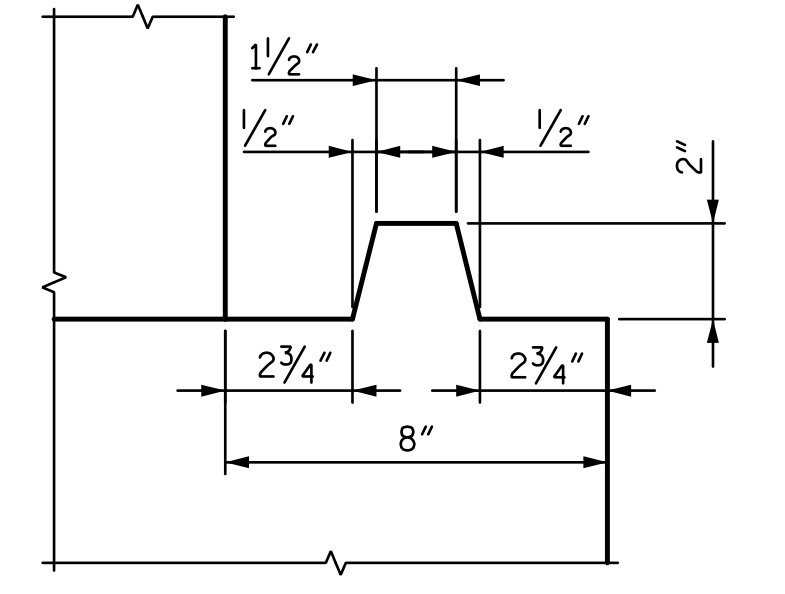
JUNCTION BOX NO. 2 PLAN



SECTION E-E



JOINT DETAIL A



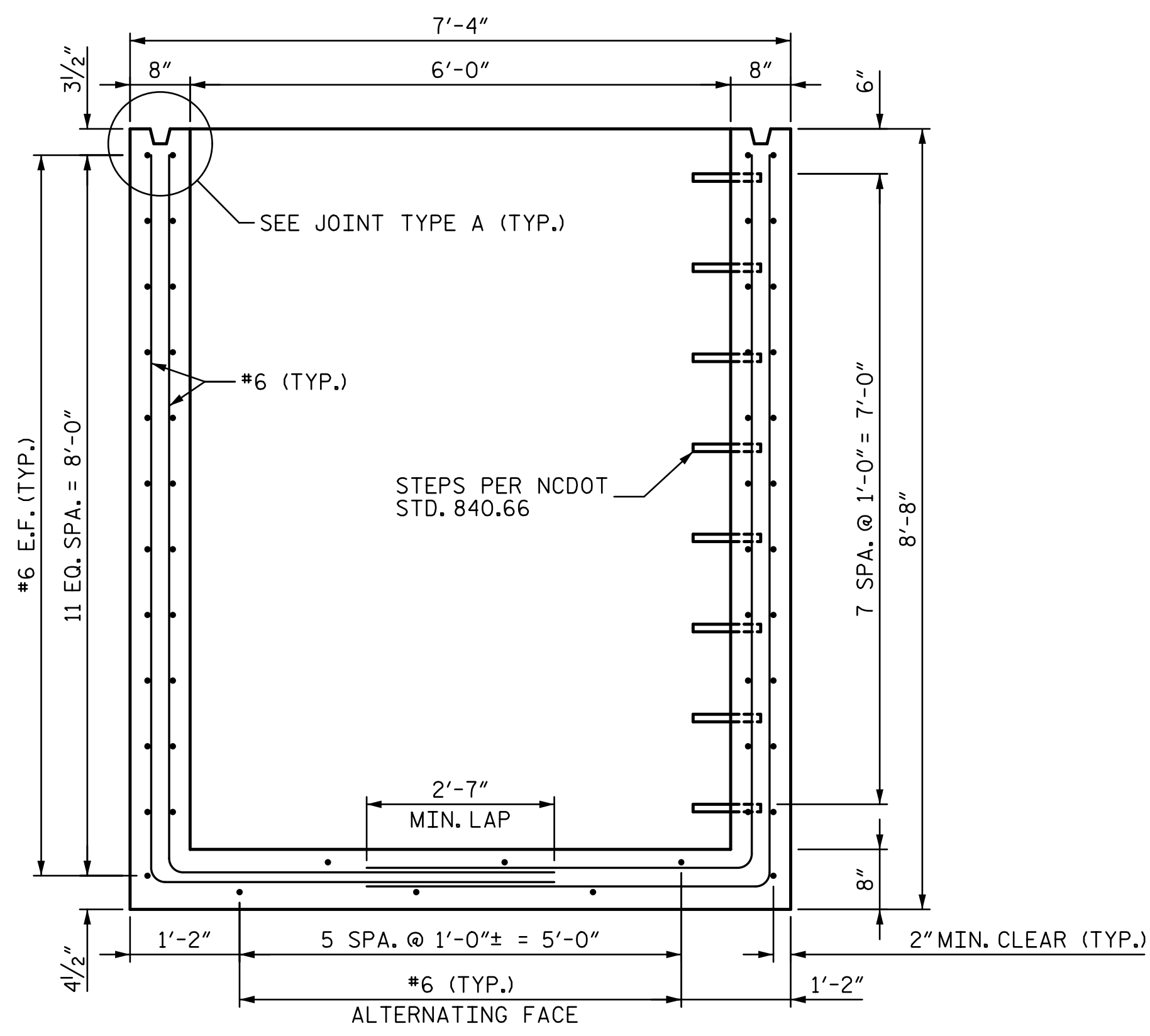
JOINT DETAIL B

NOTES:

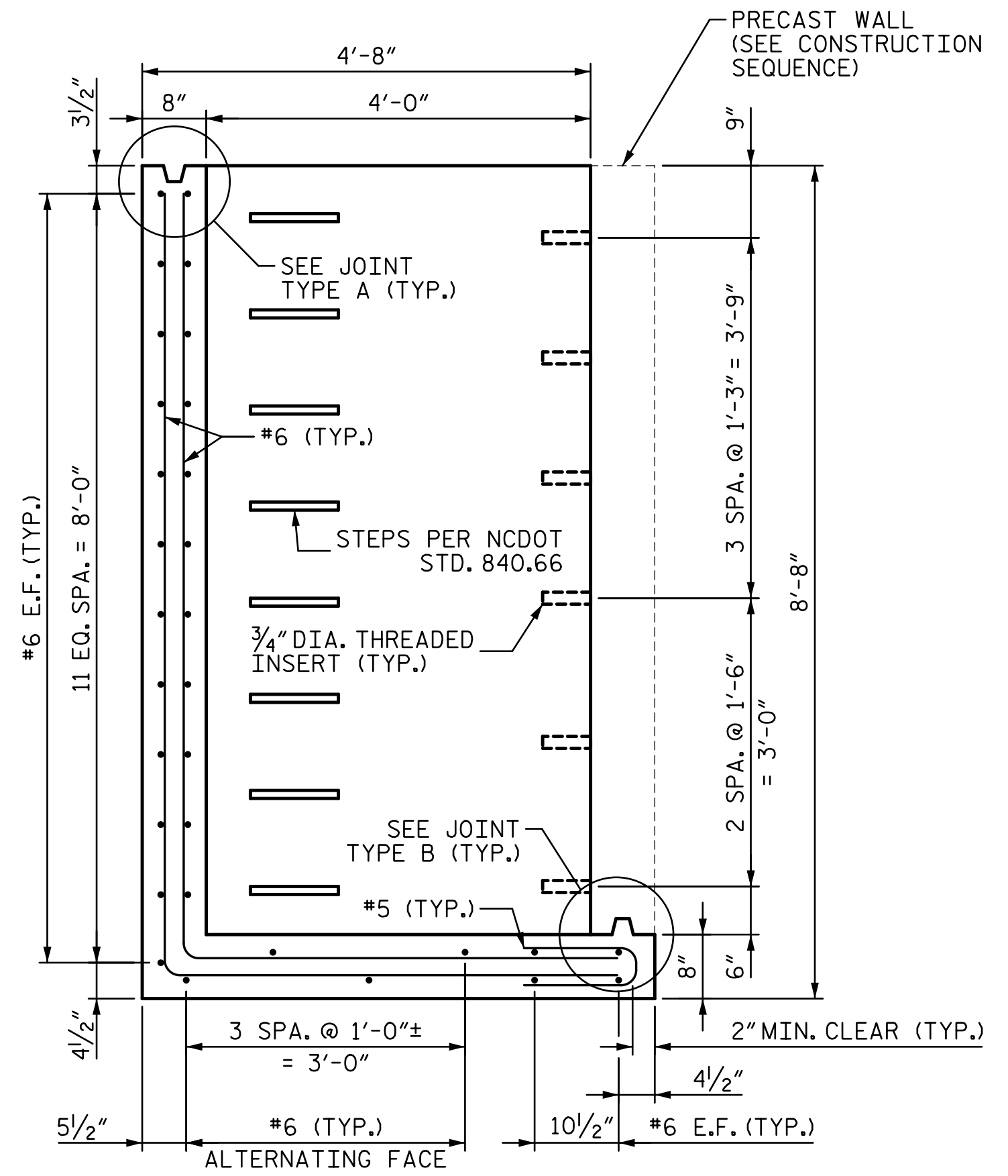
- FOR TEMPORARY GRATE LID AND PERMANENT MANHOLE LID, SEE SHEET RR-29.
- FOR TEMPORARY STEEL PLATE WALL AND PERMANENT PRECAST WALL, SEE SHEET RR-30.
- PRECAST ALL ELEMENTS TO MEET ASTM C913.
- SEAL JOINTS WITH AN APPROVED SEALANT (SEE SECTION 840 OF NCDOT STANDARD SPECIFICATIONS).
- ALL REINFORCING STEEL SHALL BE GRADE 60 AND MEET ASTM A615.
- ALL FASTENERS, INCLUDING 3/4" DIA. THREADED ROD AND HARDWARE, SHALL BE A-36 MATERIAL AND GALVANIZED IN ACCORDANCE WITH THE STANDARD SPECIFICATIONS.
- USE 5000 PSI CONCRETE.
- USE DAYTON SUPERIOR F57 NC THREADED INSERTS FOR 3/4" DIA. THREADED FASTENERS OR EQUIVALENT.
- MINIMALLY ADJUST REINFORCING STEEL TO PROVIDE ADEQUATE MINIMUM CLEAR COVER, INSTALL STEPS, OR INSTALL THREADED INSERTS.
- FOR JUNCTION BOX NO. 2, SEE JUNCTION BOXES SPECIAL PROVISION.

CONSTRUCTION SEQUENCE:

- INSTALL JUNCTION BOX PRIOR TO CONSTRUCTION OF DETOUR TRACK (-NSD2-).
- INSTALL TEMPORARY STEEL PLATE WALL AND SECURE USING 3/4" DIA. THREADED ROD AND HARDWARE.
- INSTALL TEMPORARY GRATE LID AND SECURE USING 3/4" DIA. THREADED ROD AND HARDWARE.
- AFTER COMPLETION OF DETOUR (-NSD2-) AND REMOVAL OF EXISTING NSR TRACKS, REMOVE TEMPORARY GRATE LID AND TEMPORARY STEEL PLATE WALL.
- INSTALL PRECAST WALL AND SECURE USING 3/4" DIA. THREADED ROD AND HARDWARE. GROUT HOLE BLOCKOUTS.
- INSTALL MANHOLE LID AND SECURE USING 3/4" DIA. THREADED ROD AND HARDWARE. GROUT AND SEAL HOLE BLOCKOUTS. INSTALL NEENAH R-7516 BALLAST SCREEN WITH NEENAH R-2504, TYPE D GRATE, OR EQUIVALENT.
- REMOVE JUNCTION BOX NO. 2 AFTER COMPLETION OF NSR TRACKS, REMOVAL OF DETOUR (-NSD2-) TRACK, COMPLETION OF CSXT TRACKS, AND COMPLETION OF DITCH GRADING ALONG CSXT TRACK. BACKFILL AND GRADE PER TRACK PLANS.



SECTION D-D



SECTION F-F

9/15/2015 7:27:37 AM I:\PROJ\251325\Illustration\struct\Junction_Box\RR-28_Junction_Box_2.dgn chf\khmb