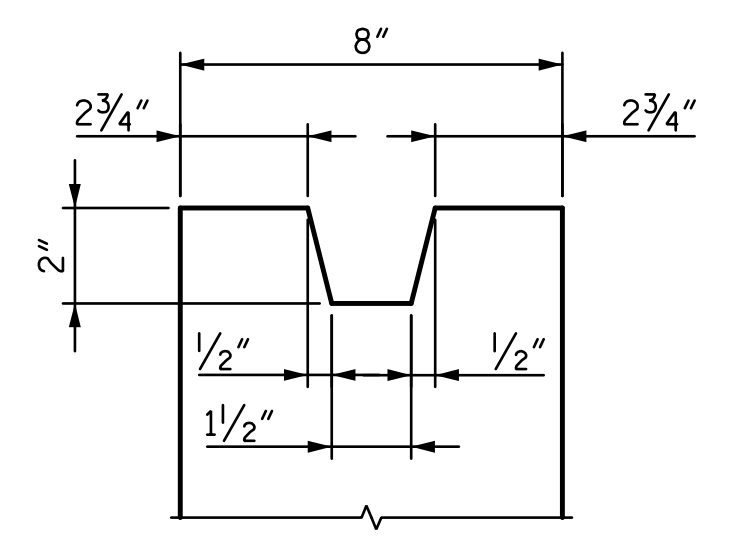
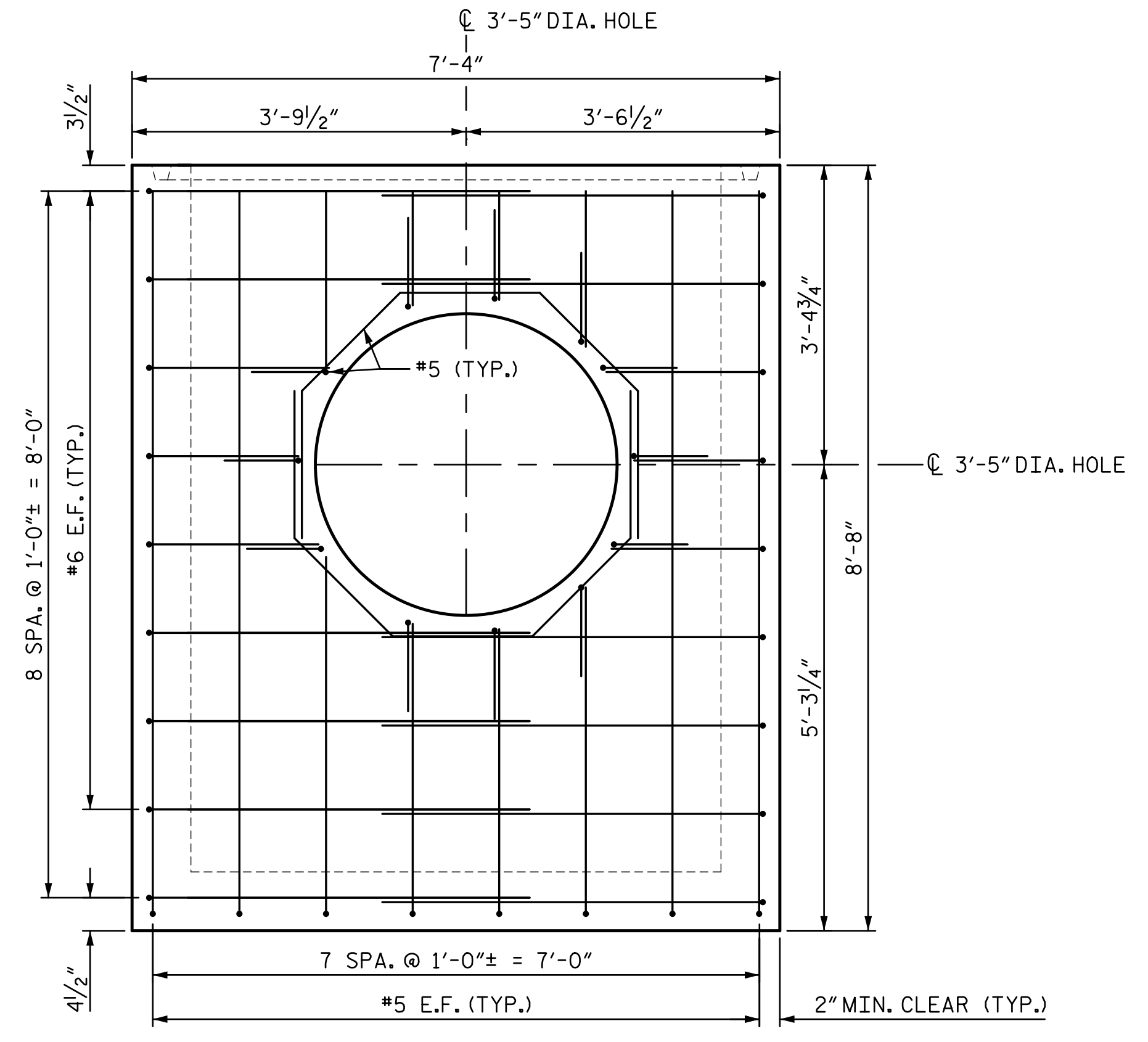
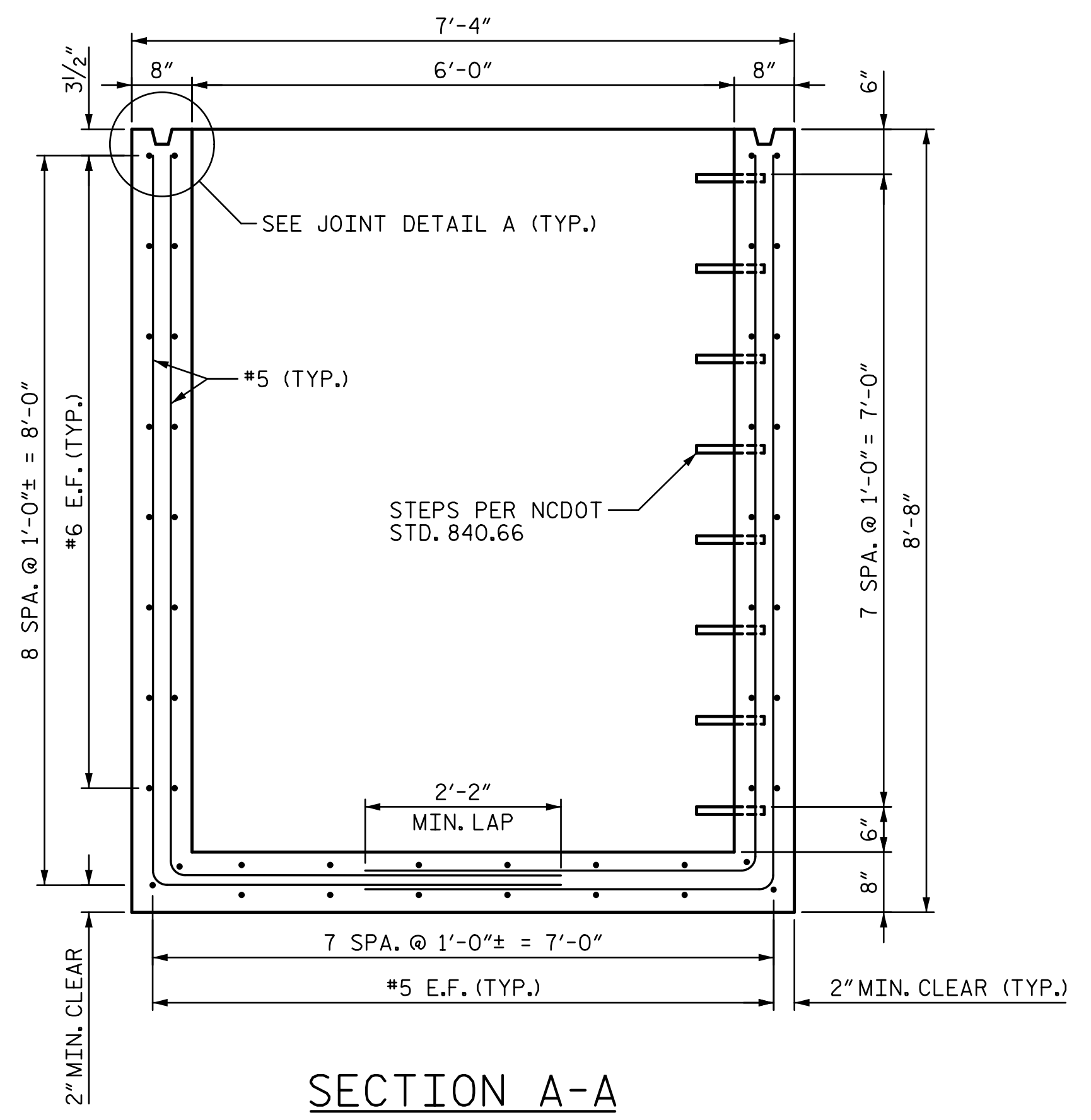


NOTES:

1. E.F. = EACH FACE
2. FOR PERMANENT MANHOLE LID, SEE SHEET RR-29.
3. PRECAST ALL ELEMENTS TO MEET ASTM C913.
4. SEAL JOINTS WITH AN APPROVED SEALANT (SEE SECTION 840 OF NCDOT STANDARD SPECIFICATIONS).
5. ALL REINFORCING STEEL SHALL BE GRADE 60 AND MEET ASTM A615.
6. ALL FASTENERS, INCLUDING 3/4" DIA. THREADED ROD AND HARDWARE, SHALL BE A-36 MATERIAL AND GALVANIZED IN ACCORDANCE WITH THE STANDARD SPECIFICATIONS.
7. USE 5,000 PSI CONCRETE.
8. USE DAYTON SUPERIOR F57 NC THREADED INSERTS FOR 3/4" DIA. THREADED FASTENERS OR EQUIVALENT.
9. MINIMALLY ADJUST REINFORCING STEEL TO PROVIDE ADEQUATE MINIMUM CLEAR COVER TO INSTALLED STEPS, OR INSTALLED THREADED INSERTS.
10. FOR JUNCTION BOX NO. 1, SEE JUNCTION BOXES SPECIAL PROVISION.



9/15/2015 7:27:51AM i:\PROJ\2513251\station\struct\Junction Box\RR-27_Junction_Box_1.dgn chfkhmb