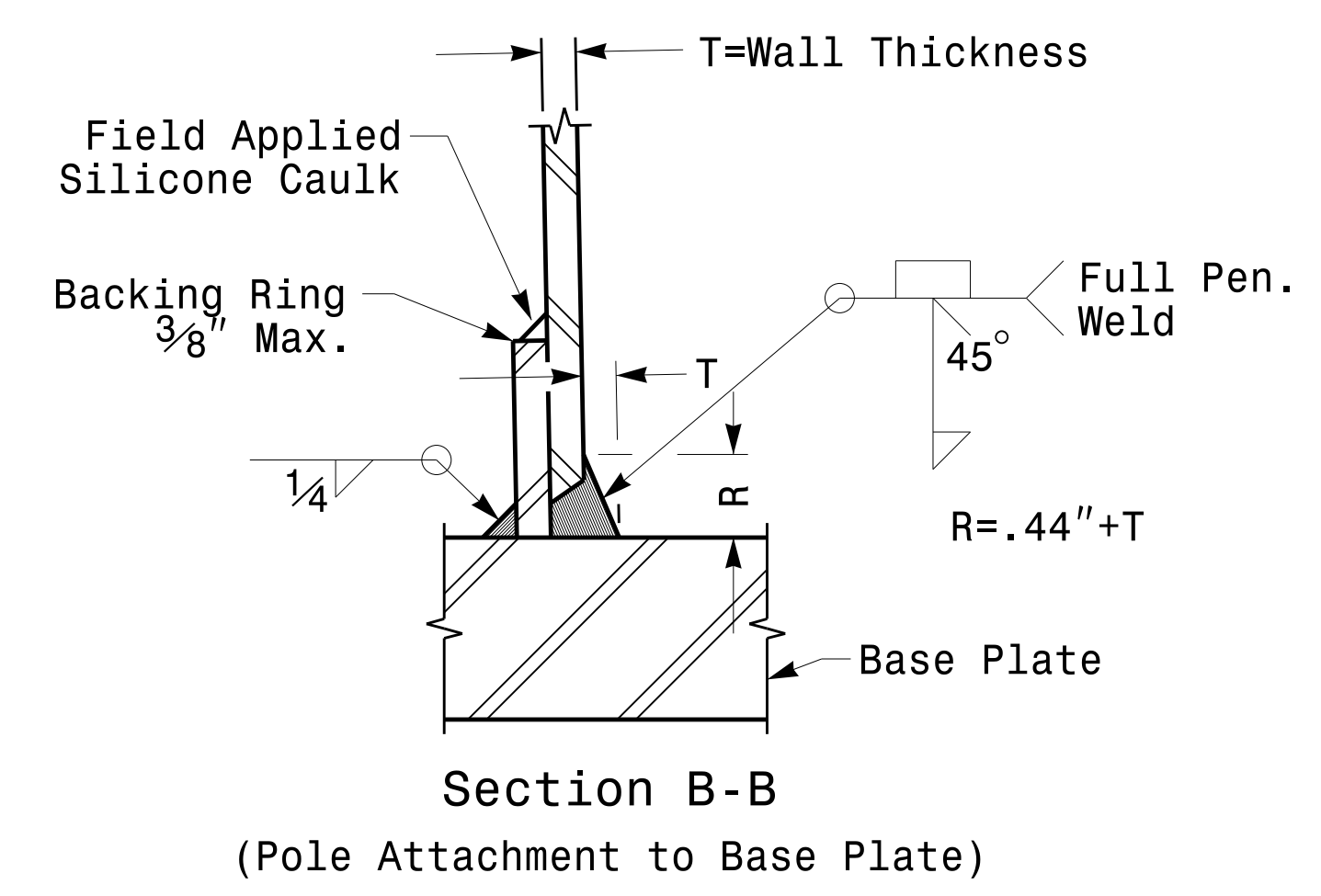
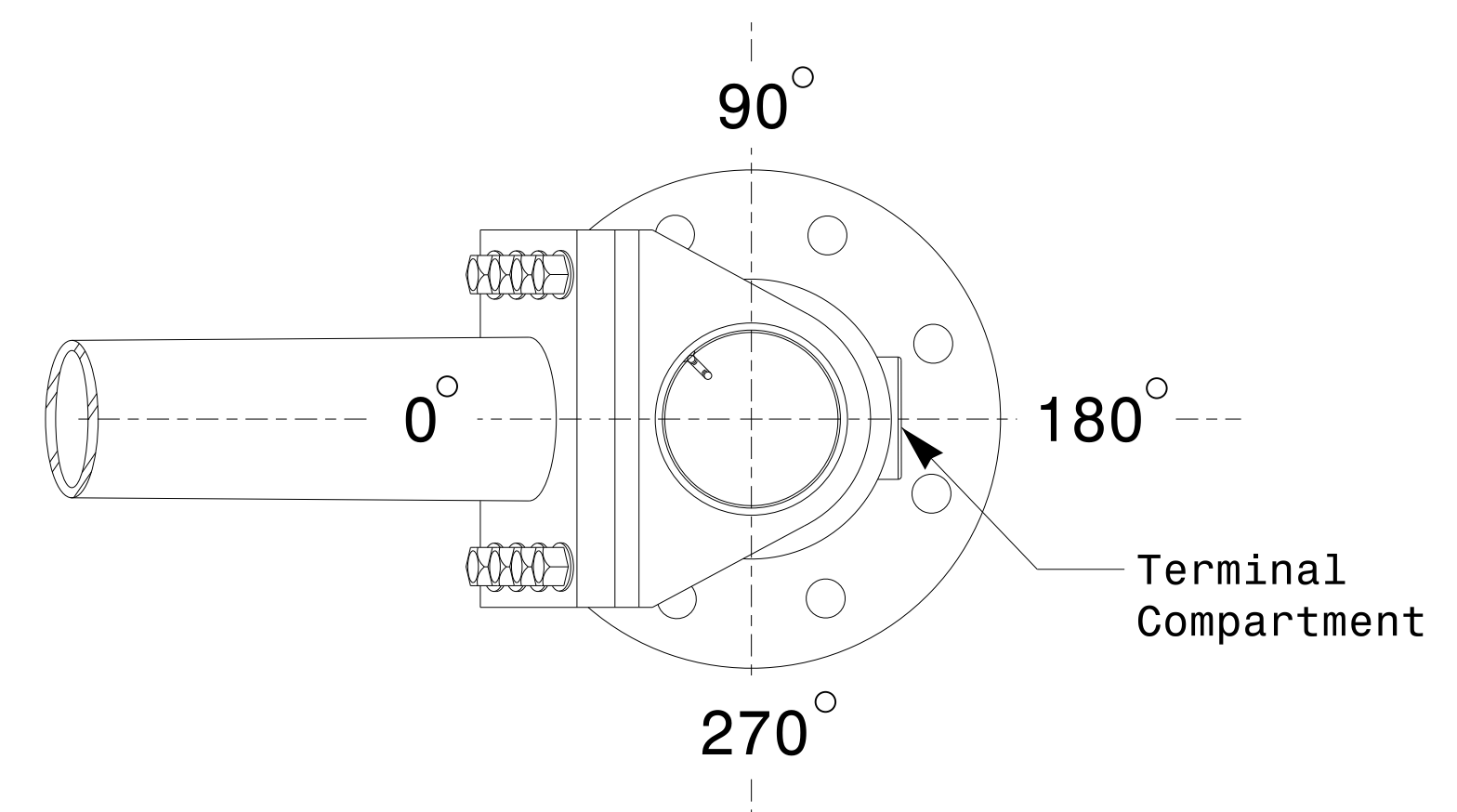


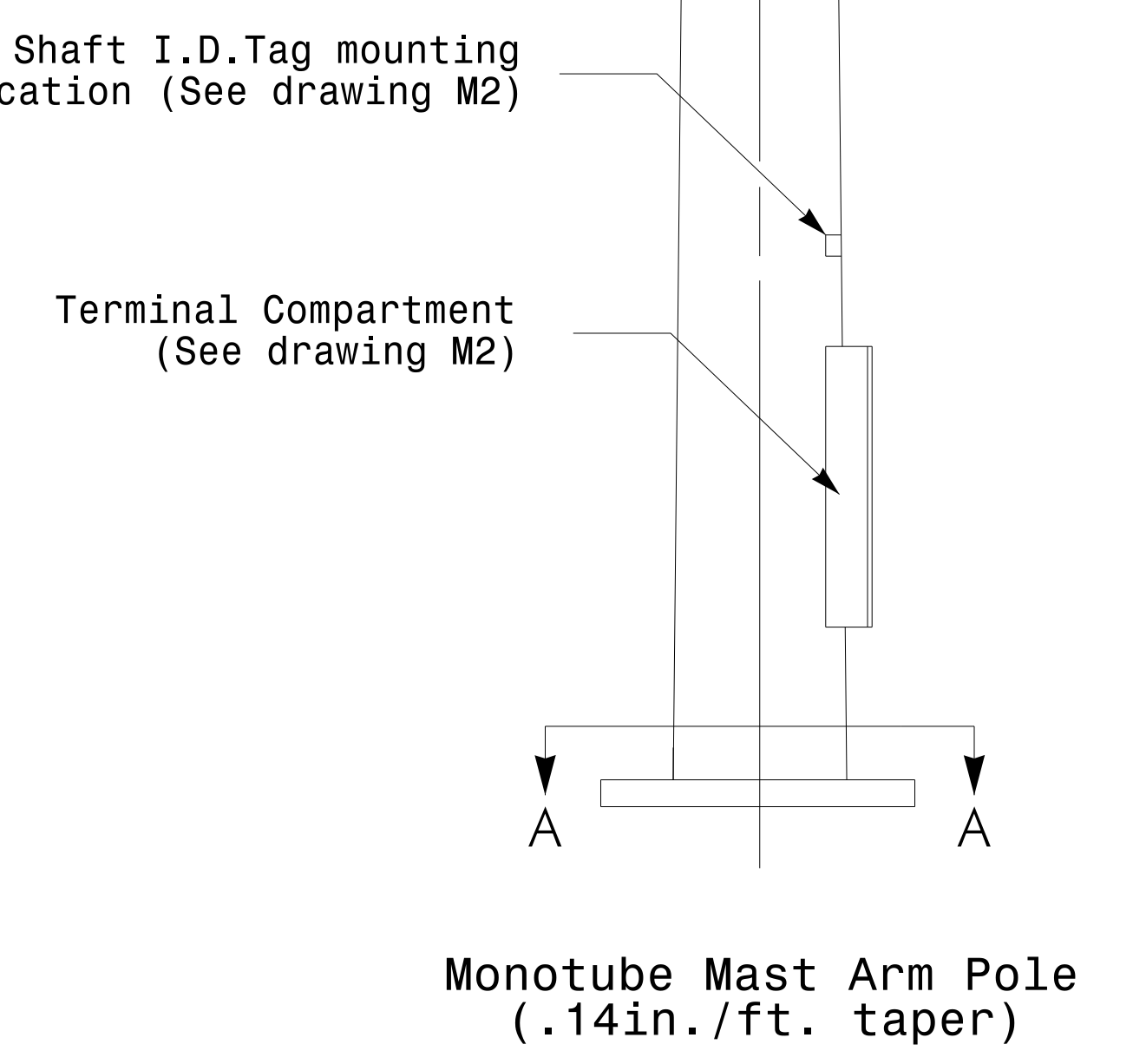
**Slip Fit Joint Detail for Mast Arm**



**Full-Penetration Groove Weld Detail**



**Mast Arm Radial Orientation**



**Fabrication Details – Mast Arm Poles**

<p>Prepared In the Offices of: TRANSPORTATION MOBILITY AND SAFETY SOLUTIONS A DIVISION OF NORTH CAROLINA SIGNAL DESIGN SECTION 750 N. Greenfield Pkwy, Garner, NC 27529</p>	<p>Typical Fabrication Details for Mast Arm Poles</p>		
	<p>PLAN DATE: AUGUST 2013</p>	<p>DESIGNED BY: C.F. ANDREWS</p>	
<p>SCALE: 0 NA NONE</p>	<p>PREPARED BY: N. BITTING</p>	<p>REVIEWED BY: D.C. SARKAR</p>	<p>SIG. INVENTORY NO.</p>

26-AUG-2014 08:50  
 S:\TDS\115\SIGNAL\Signal Design\Section\Eastern Region\Mast Arm Details\Mast Arms.dgn  
 J:\115\11502