

**DOCUMENT NOT CONSIDERED FINAL
 UNLESS ALL SIGNATURES COMPLETED**

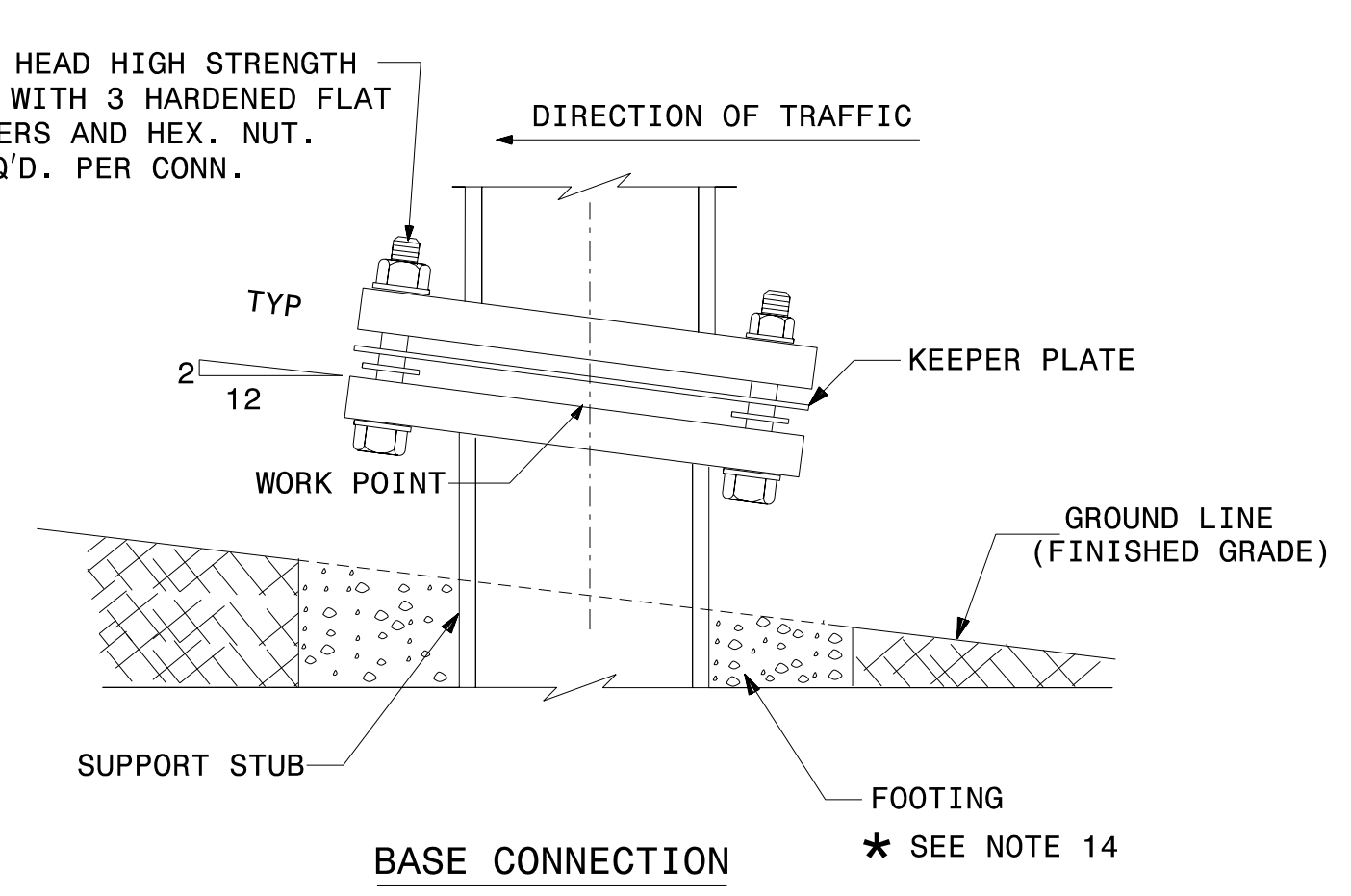
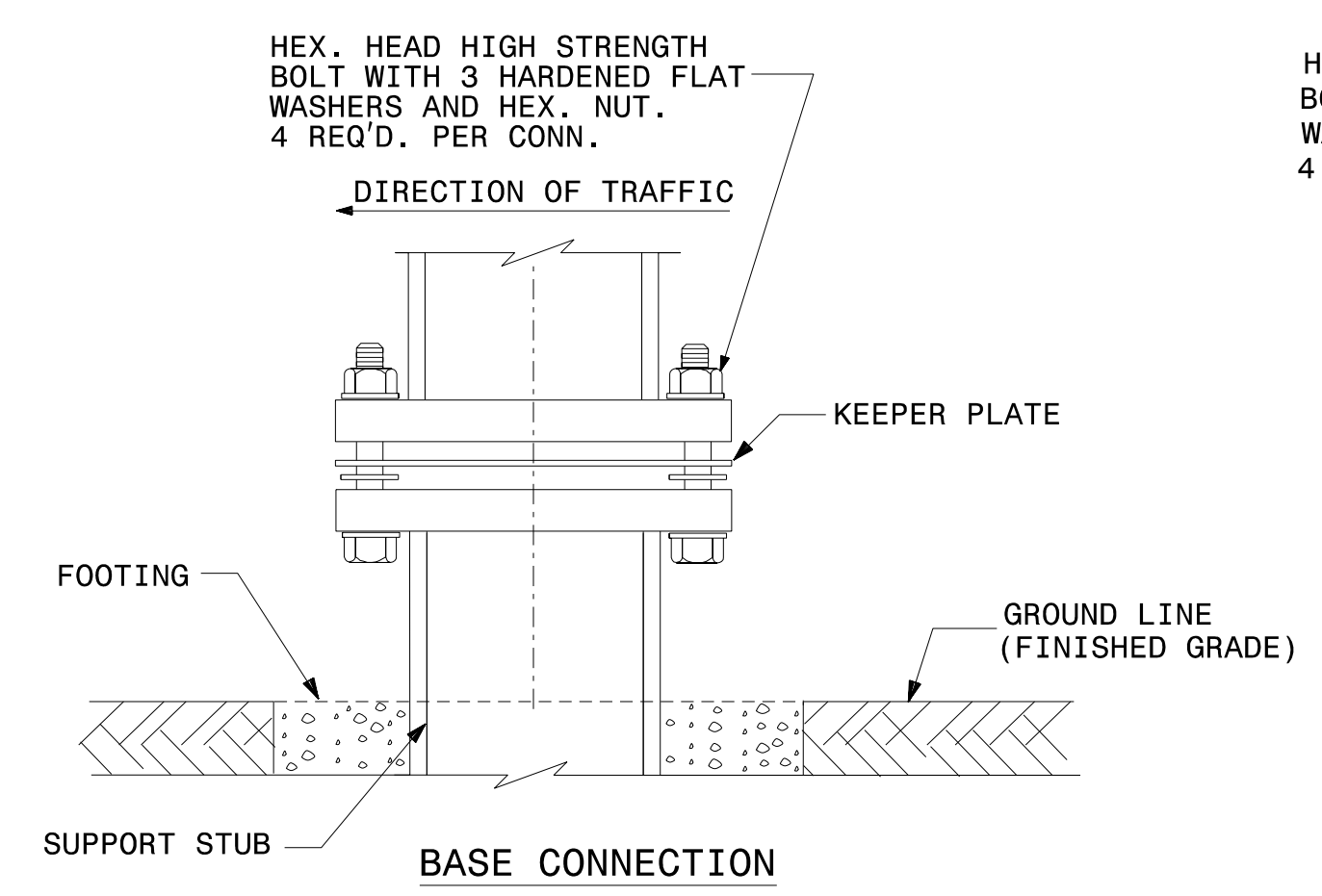
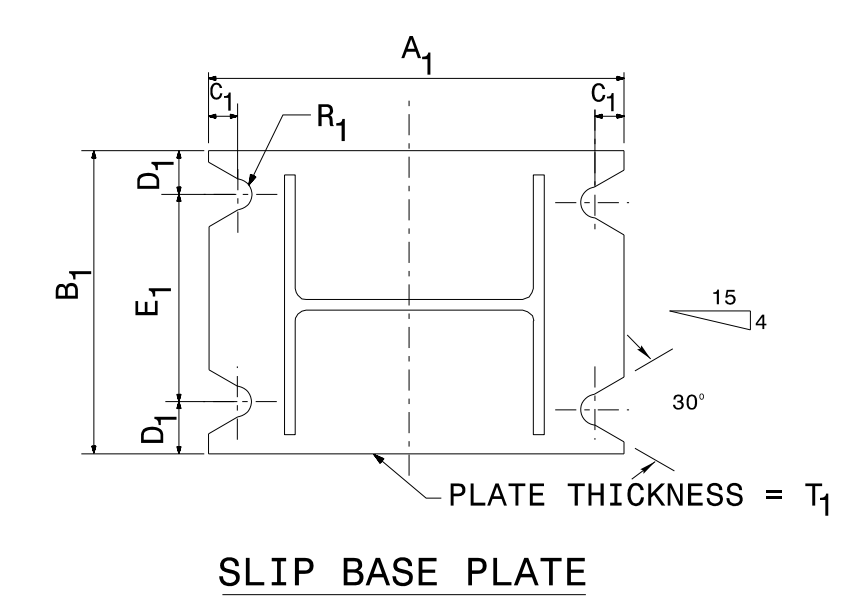
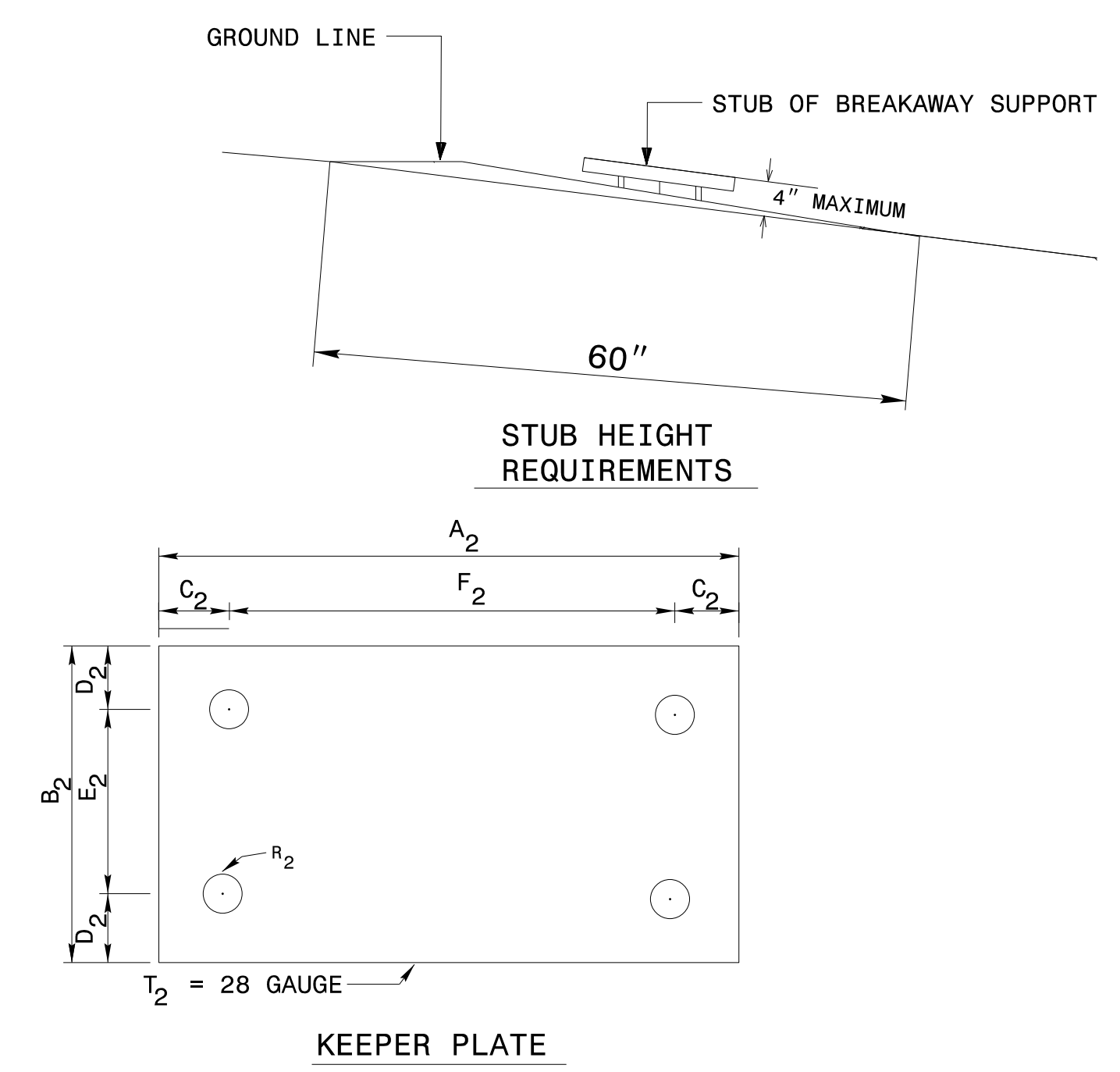
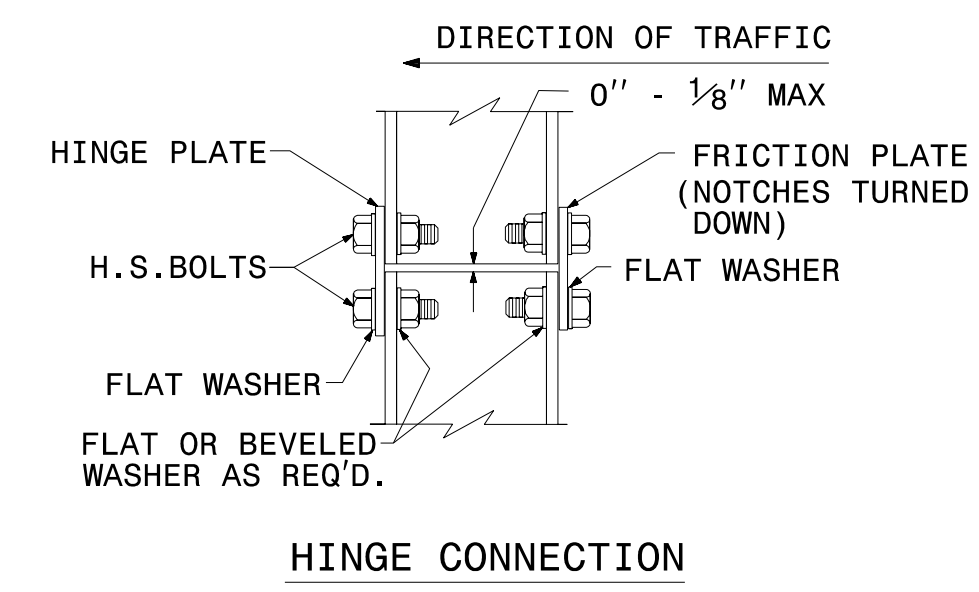
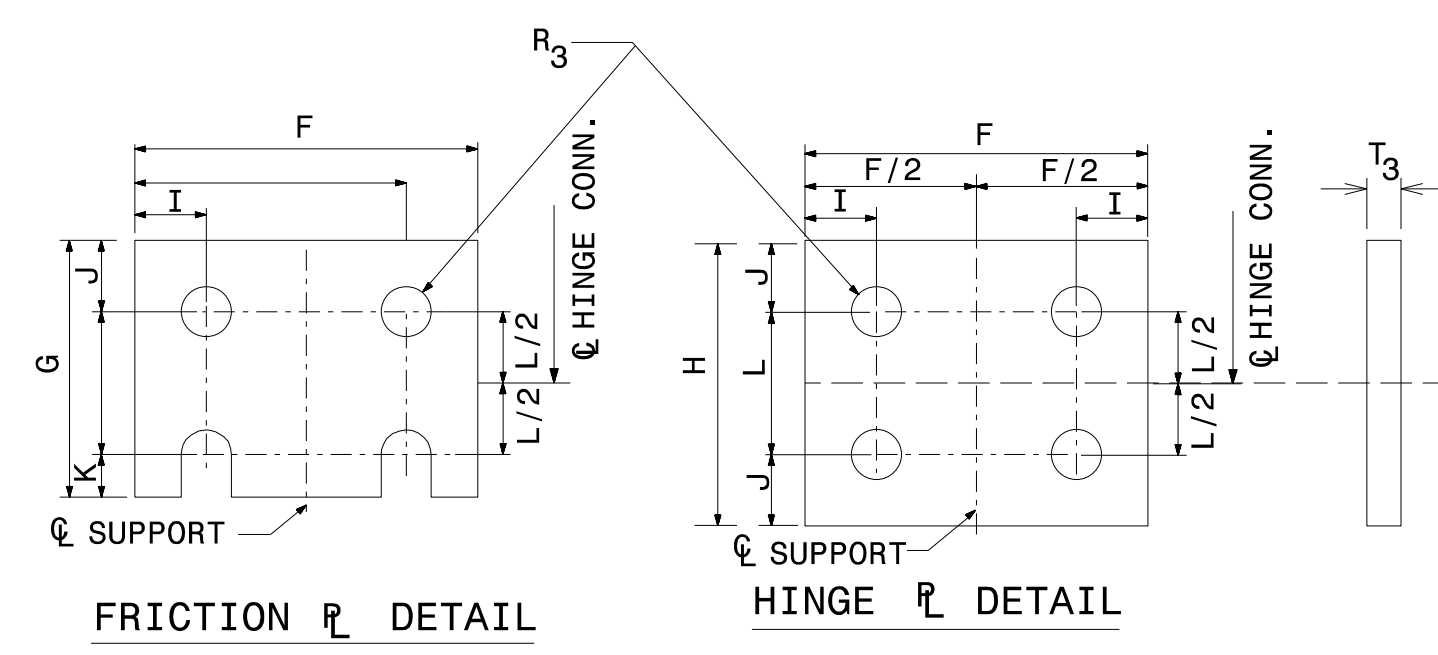
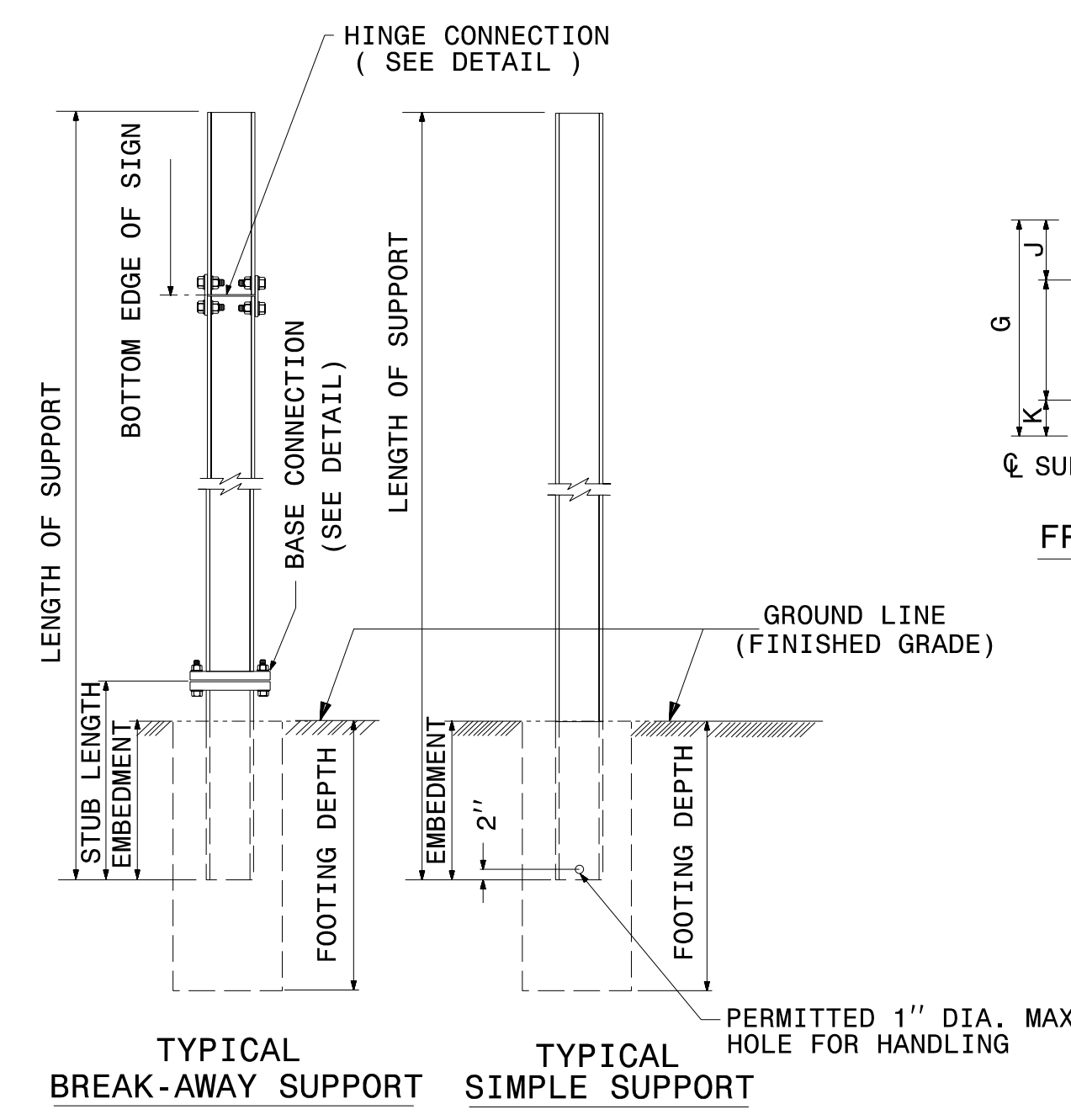
STATE OF
 NORTH CAROLINA
 DEPT. OF TRANSPORTATION
 DIVISION OF HIGHWAYS
 RALEIGH, N.C.

1-12

ENGLISH STANDARD DRAWING FOR
GROUND MOUNTED SIGN SUPPORTS

SHEET 1 OF 3

903D10



SEE SHEET 2 OF 3 FOR
 BASE CONNECTION DATA
 HINGE CONNECTION DATA
 & FOUNDATION DATA.
 SEE SHEET 3 OF 3 FOR
 GENERAL NOTES.

STATE OF
 NORTH CAROLINA
 DEPT. OF TRANSPORTATION
 DIVISION OF HIGHWAYS
 RALEIGH, N.C.

1-12

ENGLISH STANDARD DRAWING FOR
GROUND MOUNTED SIGN SUPPORTS

SHEET 1 OF 3

903D10

3/27/2017
 P:\TIP\Projects-U\U3308-Traffic\Signing\CADD\Signing Layout Plans\U-3308-SGN-SHT-1-Revision.dgn
 Jseris:obns