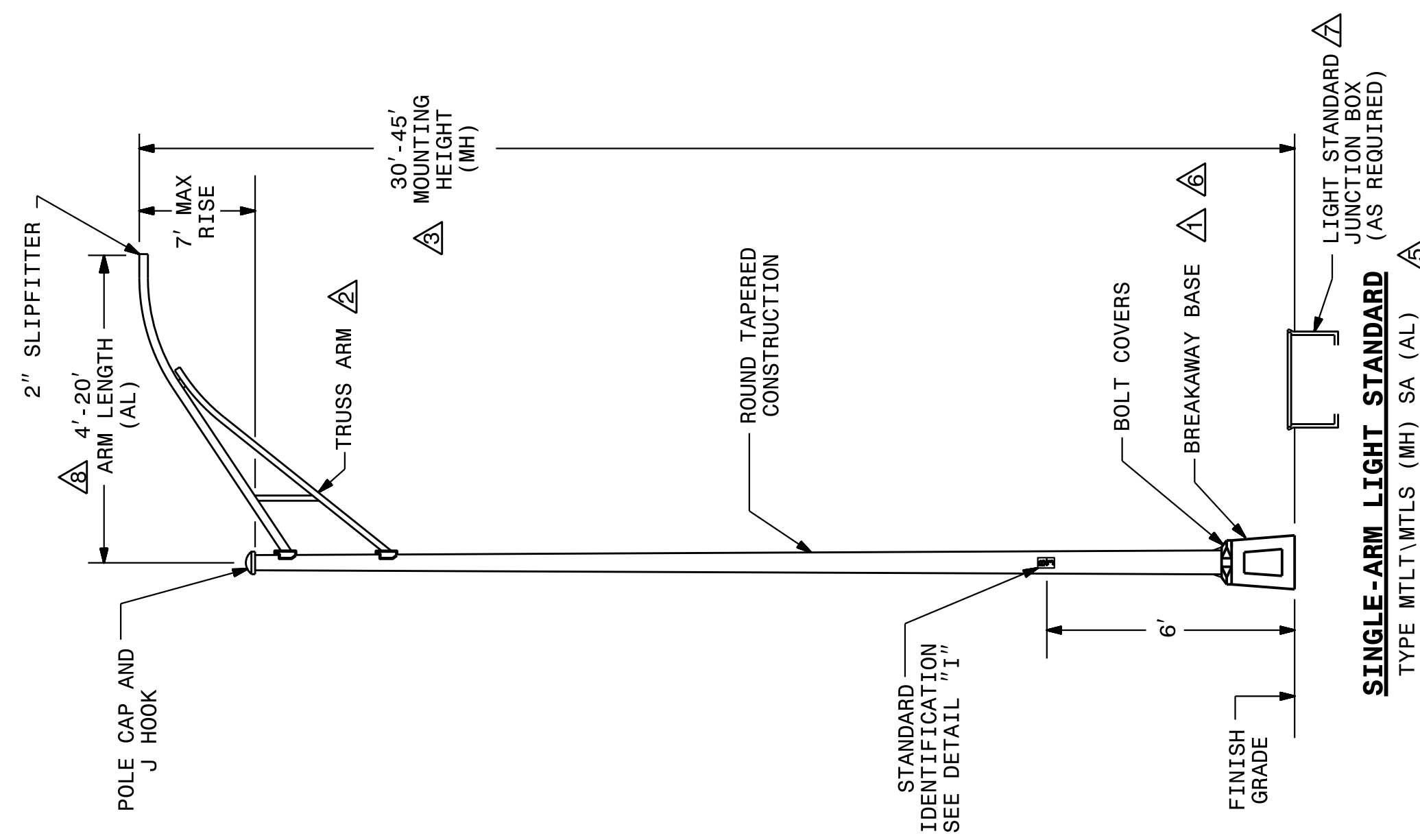


STATE OF NORTH CAROLINA  
 DEPT. OF TRANSPORTATION  
 DIVISION OF HIGHWAYS  
 RALEIGH, N.C.

1-12

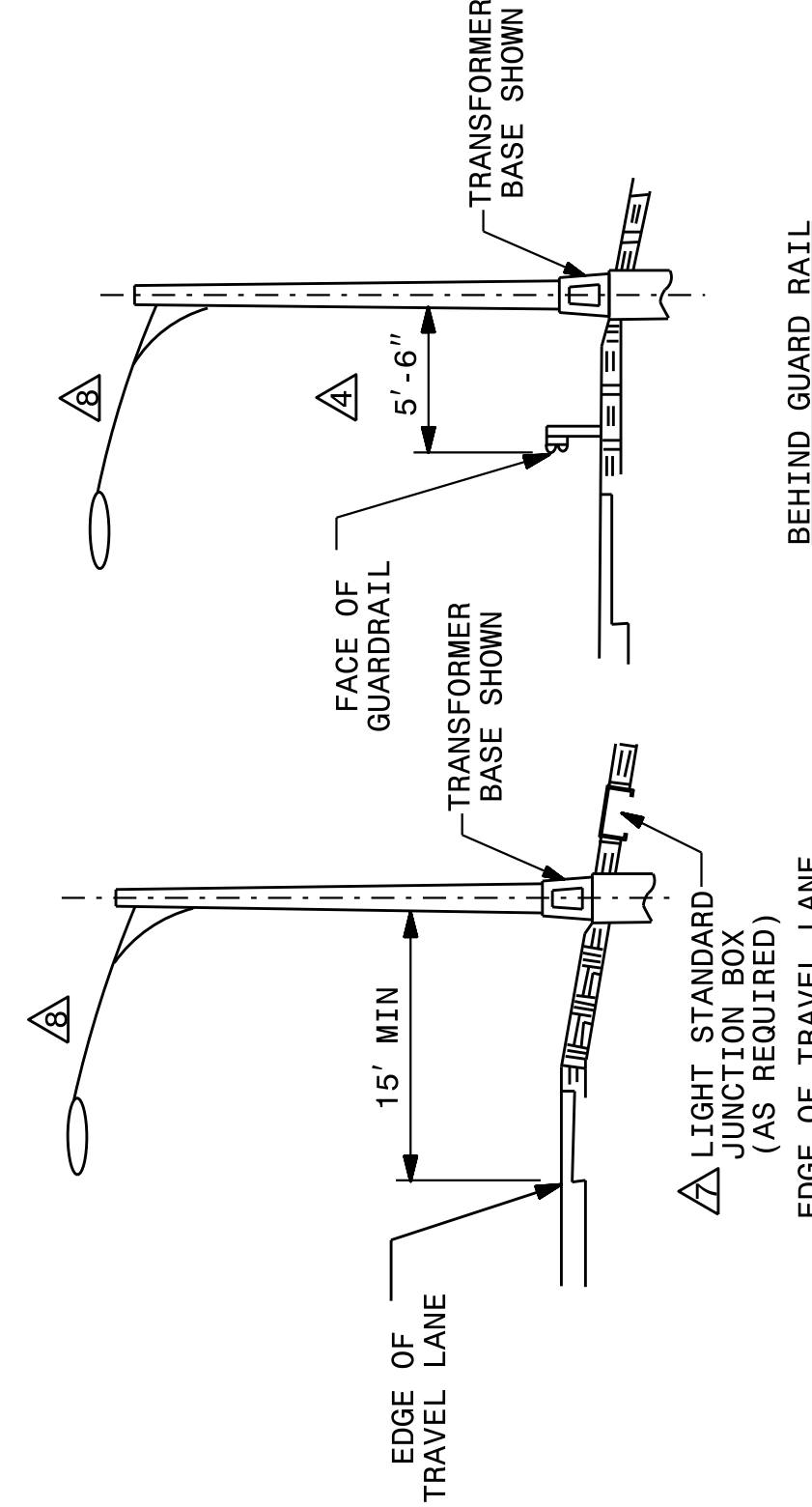
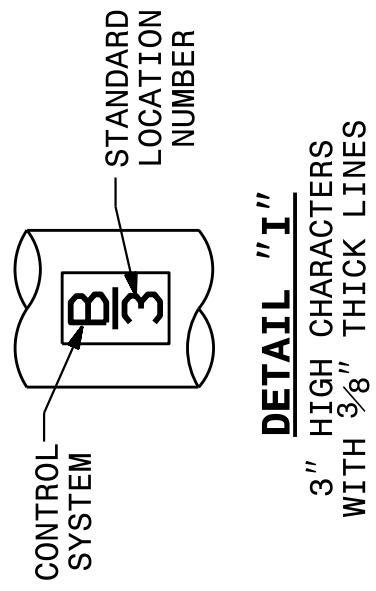
ENGLISH STANDARD DRAWING FOR  
**LIGHT STANDARDS**  
 SINGLE-ARM

SHEET 1 OF 3  
**1404D01**



**NOTES**

- △ TRANSFORMER BASE SHOWN. OTHER BASES MEETING ASKTO BREAKAWAY REQUIREMENTS MAY BE PROVIDED IF APPROVED BY THE ENGINEER. SEE "BASE DETAILS" ON SHEET 2 OF 3.
- △ SINGLE-MEMBER ARMS MAY BE PROVIDED IN LIEU OF TRUSS ARMS, WHEN SPECIFIED ARM LENGTH IS 8' OR LESS AND MOUNTING HEIGHT IS 35' OR LESS.
- △ MOUNTING HEIGHT INCLUDES BREAKAWAY BASE FOR LIGHT STANDARDS WITH TRANSFORMER BASES. SEE "BASE DETAILS" ON SHEET 2 OF 3.
- △ STANDARD PLACEMENT MAY BE REDUCED TO 3'-6" BEHIND FACE OF GUARDRAIL WHEN POSTS ARE SPACED 3'-1 1/2', OR WHERE SPEED LIMIT IS LESS THAN 55 MPH.
- △ INSERT MOUNTING HEIGHT (MH) AND ARM LENGTH (AL) FROM PAY ITEM DESCRIPTION TO DETERMINE PROPOSED SINGLE-ARM LIGHT STANDARDS.
- △ LIGHT STANDARDS MOUNTED ON BRIDGE OUTRIGGERS OR BEHIND RETAINING/BARRIER WALLS DO NOT REQUIRE BREAKAWAY BASES.
- △ WHERE LIGHT STANDARD IS NOT PROTECTED BY GUARDRAIL, PROVIDE PC18 LIGHT STANDARD JUNCTION BOX WITHIN 2' OF LIGHT STANDARD FOUNDATION FOR CONNECTION OF CIRCUITRY.
- △ WHEN DIRECT POLE MOUNTED LUMINAIRES ARE USED, BRACKET ARM IS NOT REQUIRED.



STATE OF NORTH CAROLINA  
 DEPT. OF TRANSPORTATION  
 DIVISION OF HIGHWAYS  
 RALEIGH, N.C.

1-12

ENGLISH STANDARD DRAWING FOR  
**LIGHT STANDARDS**  
 SINGLE-ARM

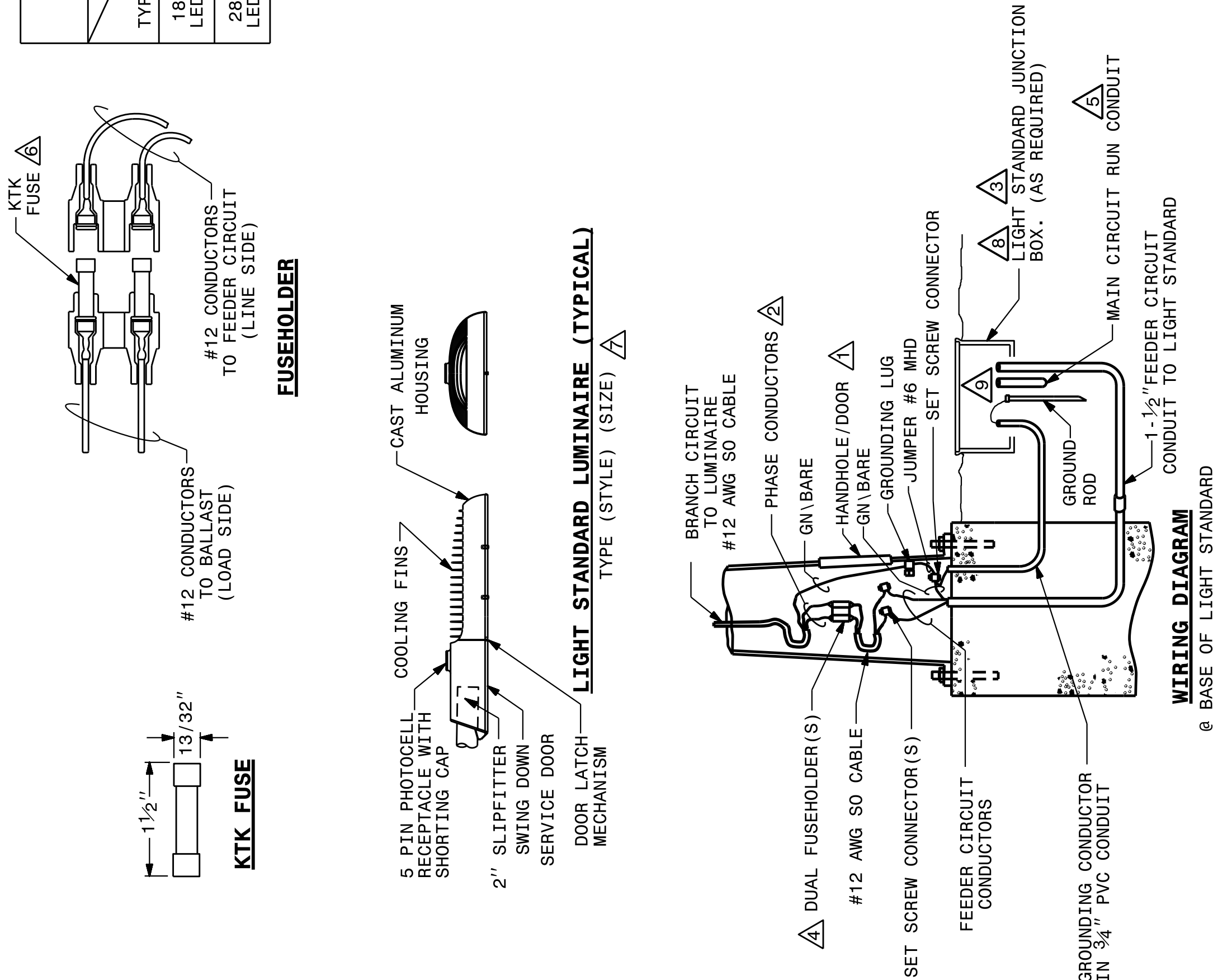
SHEET 1 OF 3  
**1404D01**

STATE OF NORTH CAROLINA  
 DEPT. OF TRANSPORTATION  
 DIVISION OF HIGHWAYS  
 RALEIGH, N.C.

1-12

ENGLISH STANDARD DRAWING FOR  
**LIGHT STANDARD LUMINAIRES**

SHEET 1 OF 1  
**1406D01**



**LUMINAIRE CHARACTERISTICS**

SPEC	HPS RELACEMENT EQUIVALENT	COLOR TEMP	MAXIMUM LAMP LUMEN MAINTENANCE FACTOR (100K HOURS & 25° C)	MINIMUM DELIVERED LUMENS
TYPE	185W (MAX) LED FIXTURE	3500K-4500K	0.84	16,000
	285W (MAX) LED FIXTURE	3500K-4500K	0.84	24,500

**NOTES**

- △ PROVIDE ACCESS TO FUSEHOLDERS FROM HANDHOLE OR TRANSFORMER BASE.
- △ SEE STANDARD SPECIFICATIONS SECTION 1400-4F FOR WIRING METHODS. USE TAPE OR HEAT SHRINK TO COLOR CONDUCTORS TO MATCH PHASE COLOR (RED/BLACK/BLUE).
- △ MAKE SPLICES IN ACCORDANCE WITH SECTION 1400-4(F) OF THE STANDARD SPECIFICATIONS.
- △ BREAKAWAY FUSEHOLDERS REQUIRED AT ALL BREAKAWAY LIGHT STANDARDS.
- △ SIZE FEEDER CIRCUIT CONDUCTORS AS SHOWN IN THE PLANS.
- △ SEE STANDARD SPECIFICATIONS SECTION 1400-2E FOR FUSEHOLDERS.
- △ INSERT STYLE AND SIZE FROM PAY ITEM DESCRIPTION TO DETERMINE PROPOSED LUMINAIRES.
- △ INSTALL LIGHT STANDARD JUNCTION BOX WITH ANY LIGHT STANDARD NOT INSTALLED BEHIND GUARDRAIL.
- △ PERMANENTLY ATTACH GROUNDING CONDUCTOR TO GROUND ROD VIA EXOTHERMIC WELD.

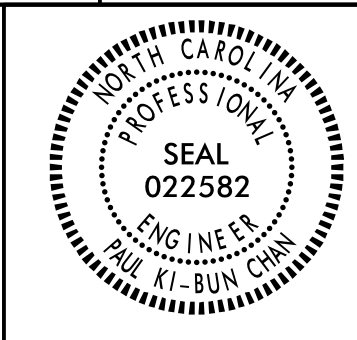
STATE OF NORTH CAROLINA  
 DEPT. OF TRANSPORTATION  
 DIVISION OF HIGHWAYS  
 RALEIGH, N.C.

1-12

ENGLISH STANDARD DRAWING FOR  
**LIGHT STANDARD LUMINAIRES**

SHEET 1 OF 1  
**1406D01**

2			
1			
Rev.	Date	Description	Approved
<b>NORTH CAROLINA DEPARTMENT OF TRANSPORTATION</b> ROADWAY DESIGN LIGHTING/ELECTRICAL SECTION <b>LIGHT STANDARD AND LIGHT STANDARD LUMINAIRE DETAILS</b> ALSTON AVE/NC 147 INTERCHANGE DURHAM COUNTY Drawn By: AB Approved By: PC Dwg No.:			



DocuSigned by:  
 Paul Chan 4/7/2015  
 F53C8B2EE4E42E...