

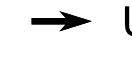

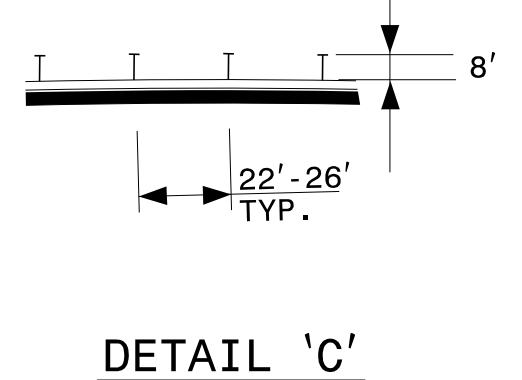
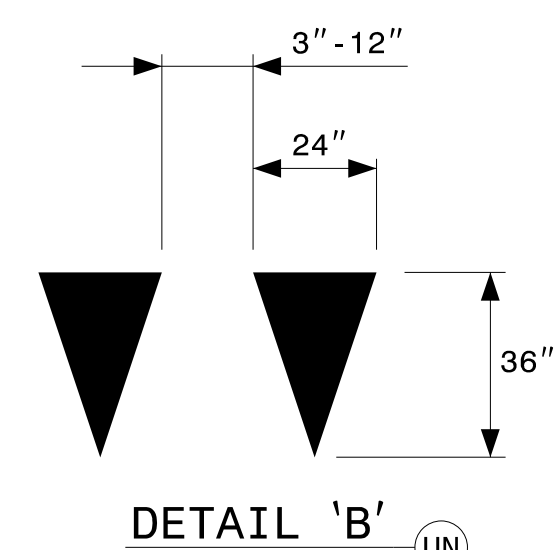
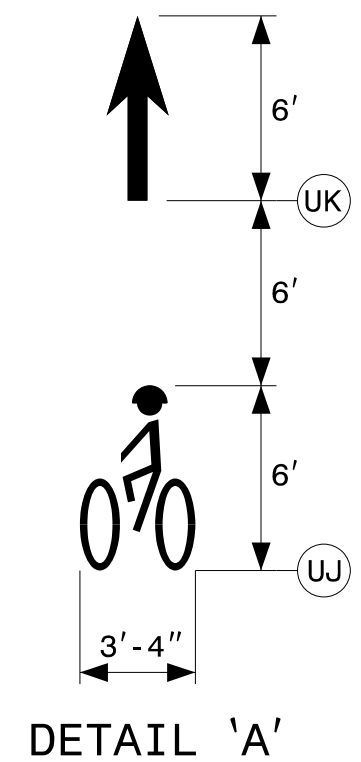


### SYMBOL AND PAVEMENT MARKING LEGEND

- THERMOPLASTIC**
- (T2) WHITE STOPBAR (24")
  - (T3) WHITE CROSSWALK LINE (24")
  - (T8) 2FT.-6FT./SP WHITE MINISKIP (4")
  - (T11) 2FT.-6FT./SP WHITE MINISKIP (6")
  - (TA) WHITE EDGELINE (4")
  - (TD) 3FT.-9FT./SP WHITE MINISKIP (4")
  - (TE) WHITE SOLID LANE LINE (4")
  - (TI) YELLOW DOUBLE CENTER (4")
  - (TL) WHITE SOLID LANE LINE (6")
  - (TP) YELLOW DIAGONAL (8")
  - (TQ) WHITE CROSSWALK LINE (8")

-  UA LEFT TURN ARROW
-  UB RIGHT TURN ARROW
-  UC STRAIGHT ARROW
-  UE RIGHT/STRAIGHT ARROW
- SCHOOL UI ALPHANUMERIC CHARACTER



### PAVEMENT MARKING DETAIL

4/6/2015 P:\Projects\U-3308-Traffic\Signing\CADD\PMU-U-3308-PMP-7.dgn