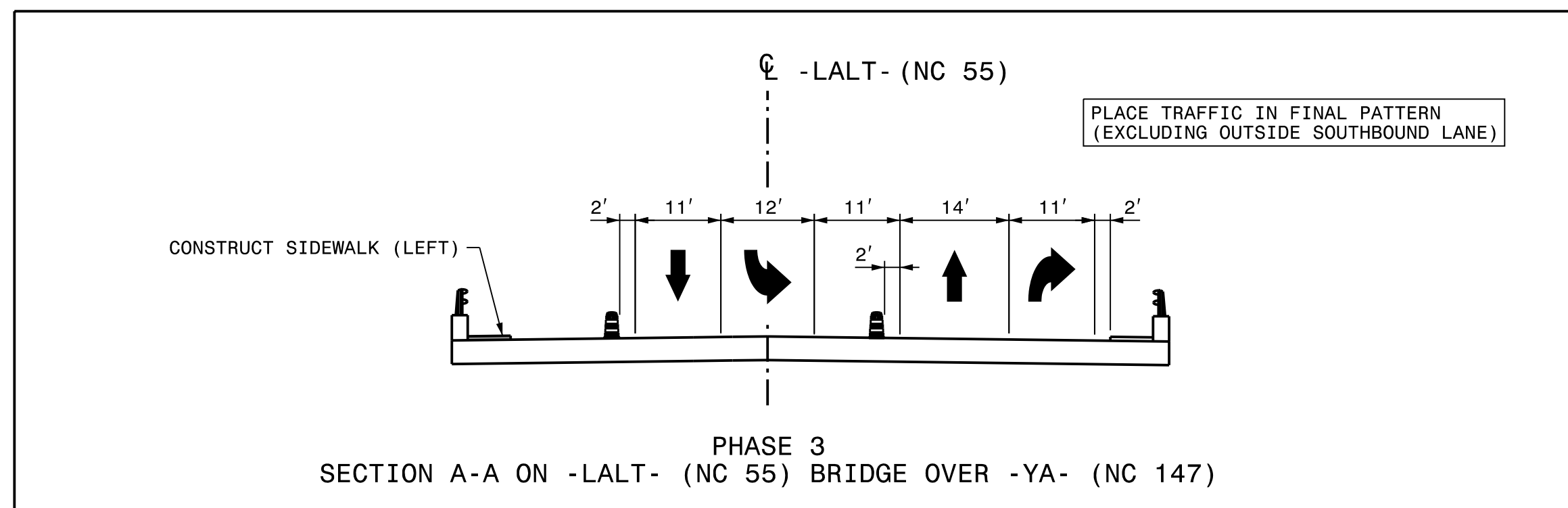
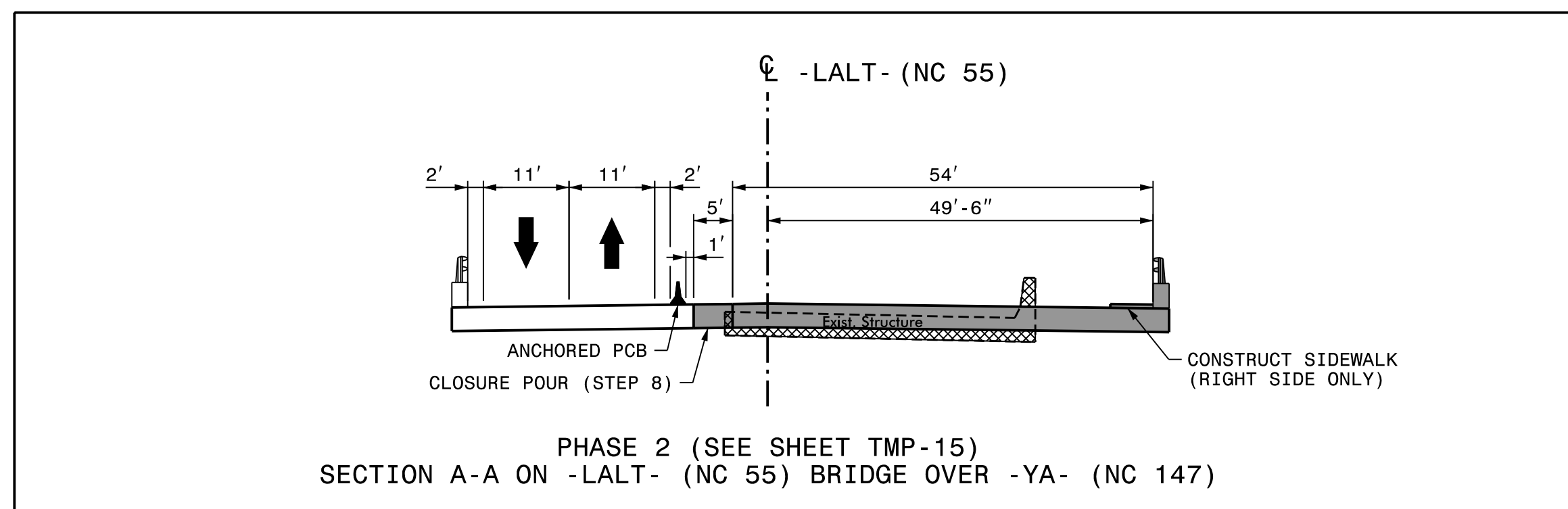
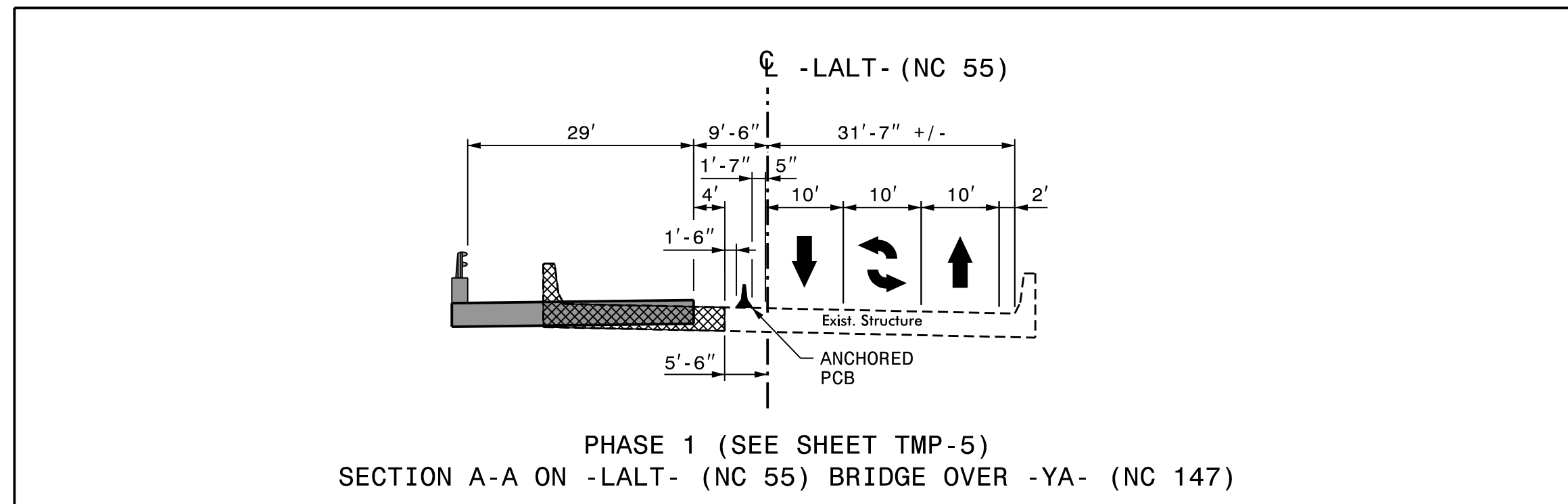
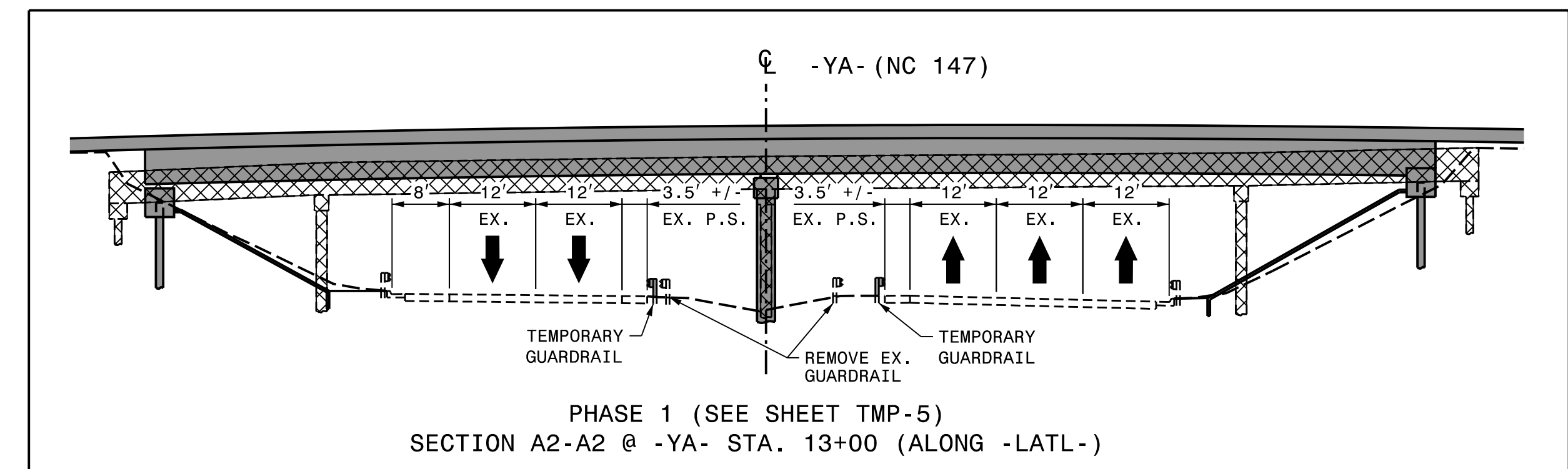
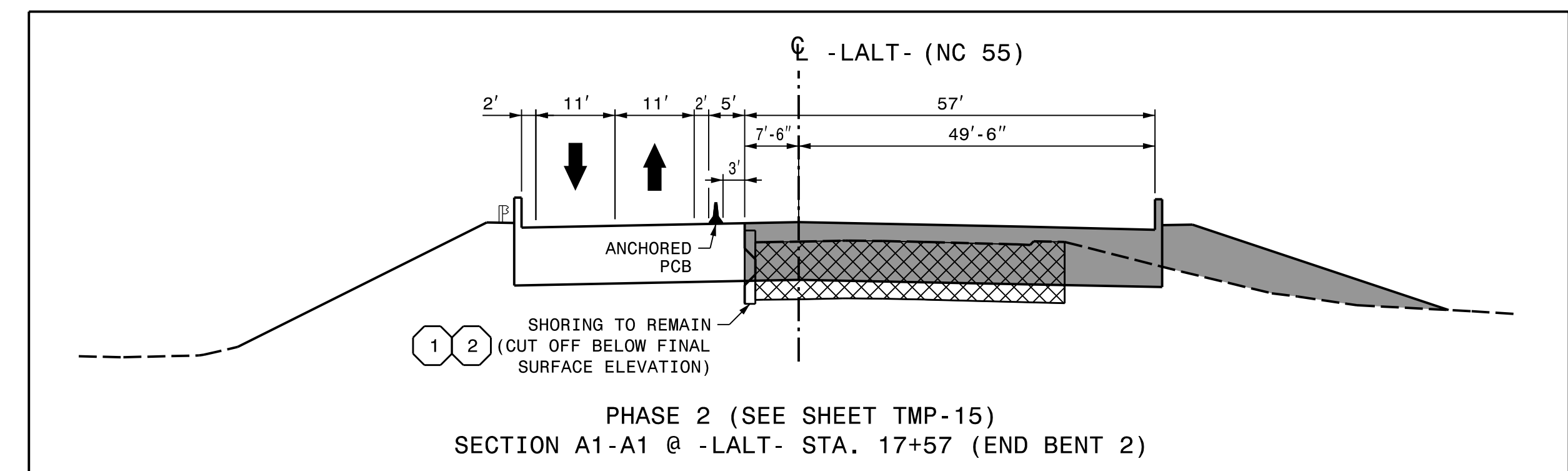
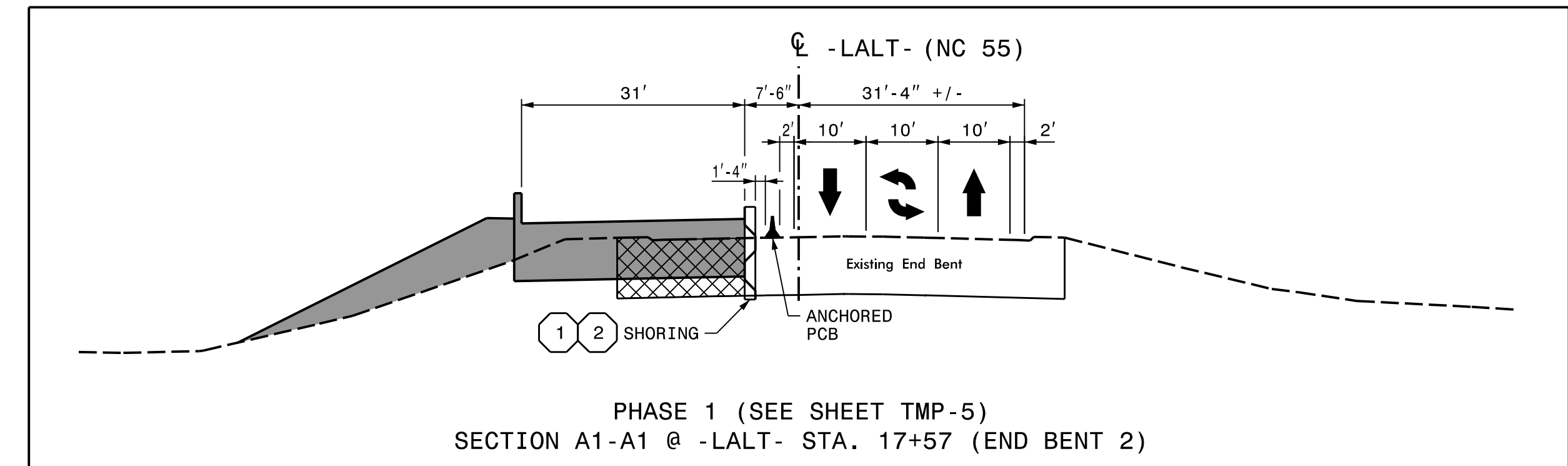


NC 55 BRIDGE OVER NC 147




NC 55 BRIDGE OVER NC 147




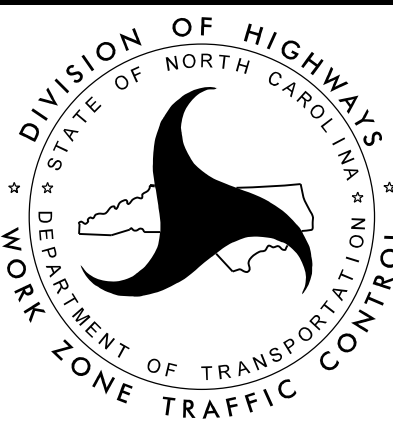
REVISIONS

PLOT DRIVER: NCDOT_pdf_color_eng_50.plt
 USER: erbrooks
 DATE: 5/12/2016
 TIME: 3:58:25 PM
 FILE: c:\pwworking\tpa\d0487729\U-3308_TMP-04.dgn

DOCUMENT NOT CONSIDERED FINAL UNLESS ALL SIGNATURES COMPLETED

APPROVED  DATE: 5/13/2016

SEAL




-LALT- & -Y- BRIDGE STAGING TYPICALS