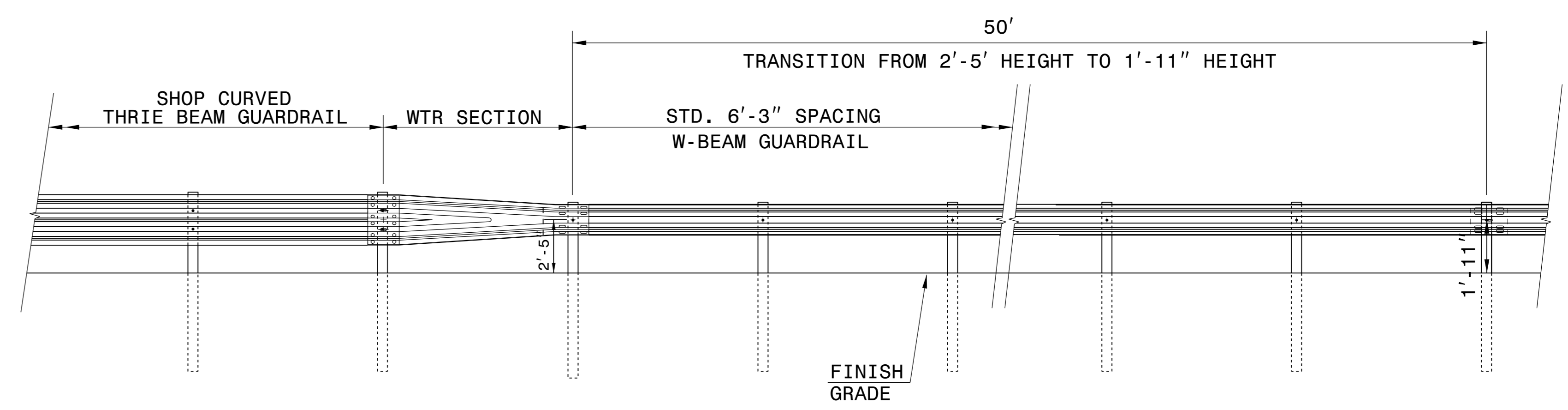
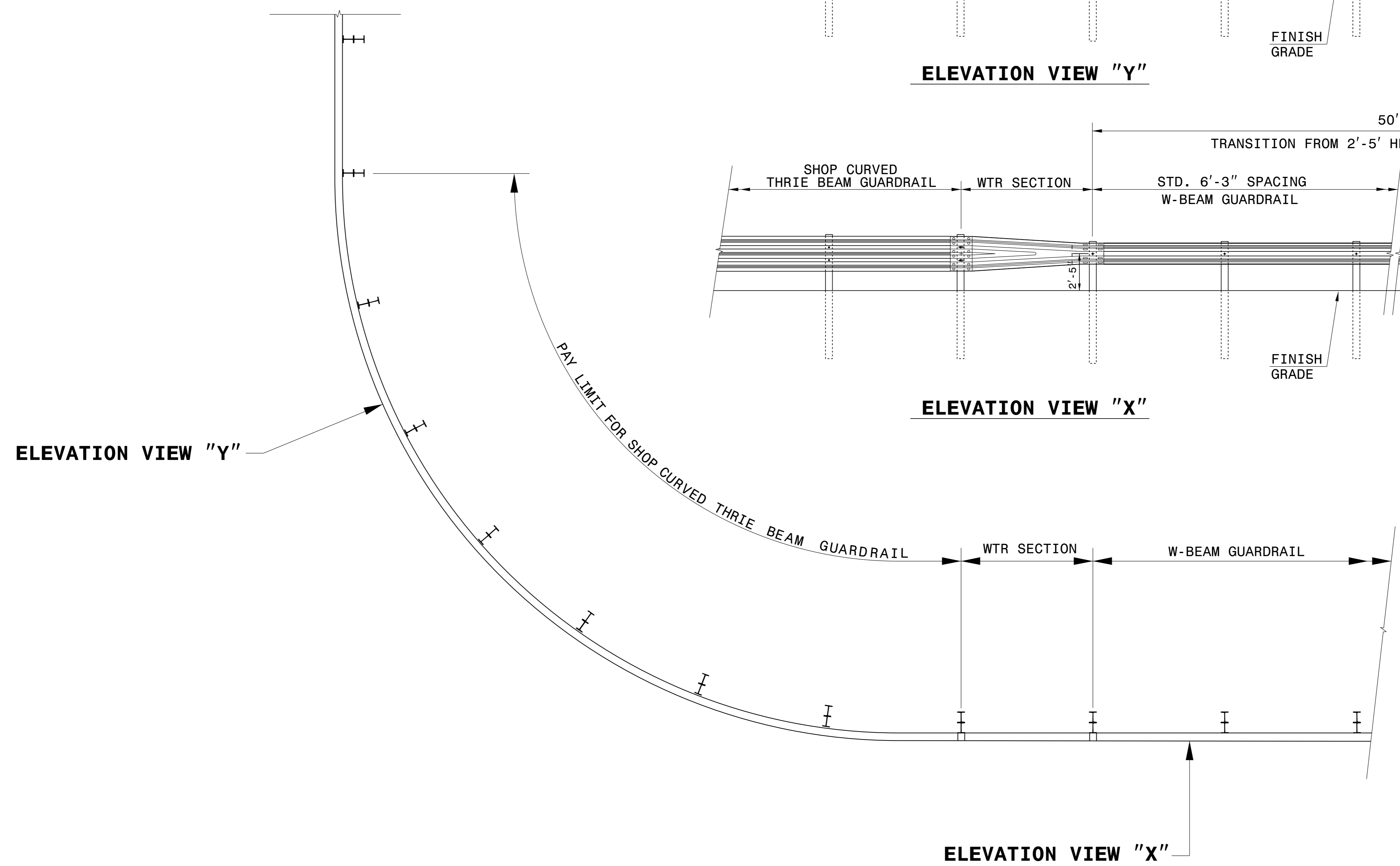


**ELEVATION VIEW "Y"**



**ELEVATION VIEW "X"**



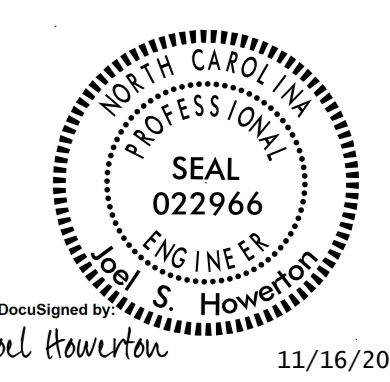
**ELEVATION VIEW "X"**

**ELEVATION VIEW "Y"**

**PLAN**

**NOTES:**

- USE STD. 6'-3" POST SPACING IN THIS AREA.
- REFER TO RDWY. STDS. 862.01, 862.02 AND 862.03 FOR PLACEMENT AND OTHER GUARDRAIL DETAIL INFORMATION.



DocuSigned by:  
Joel Howerton  
11/16/2015

CONTRACT STANDARDS & DEVELOPMENT UNIT STANDARDS AND SPECIAL DESIGN Office 919-707-6950 FAX 919-250-4119	
<b>SHOP CURVED THRIE BEAM GUARDRAIL</b>	
ORIGINAL BY: _____	DATE: _____
MODIFIED BY: rnbritt	DATE: 02-23-15
CHECKED BY: _____	DATE: _____
FILE SPEC.: details/rnbritt/english/guardrail/scthrie beam rail.dgn	