

NOTES:

USE CLASS "AA" CONCRETE THROUGHOUT.

CORE 60" HOLE INTO THE SIDE OF THE EXISTING 7'X5' RCBC TO PLACE THE 42" RCP.

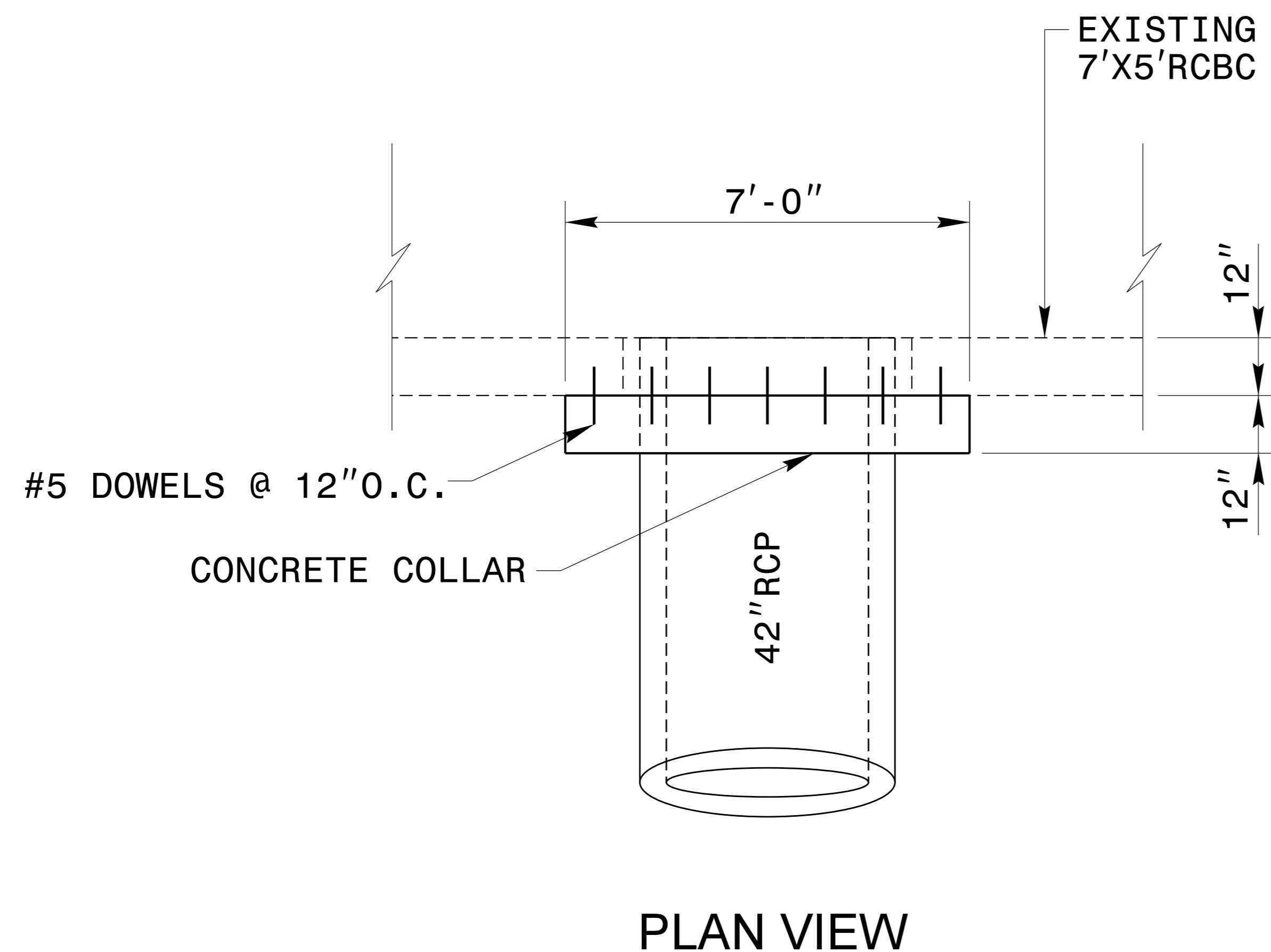
GROUT THE OPENING ONCE THE 42" RCP IS PLACED IN THE HOLE.

PLACE #5 DOWEL BARS IN THE BOX CULVERT. SECURE WITH AN APPROVED EPOXY OR GROUT.

POUR CONCRETE COLLAR AROUND THE 42" RCP. CONSTRUCT THE COLLAR FLUSH WITH TOP AND BOTTOM OF THE EXISTING 7'X5' RCBC.

ALL EXPOSED CORNERS ARE TO BE CHAMFERED 1".

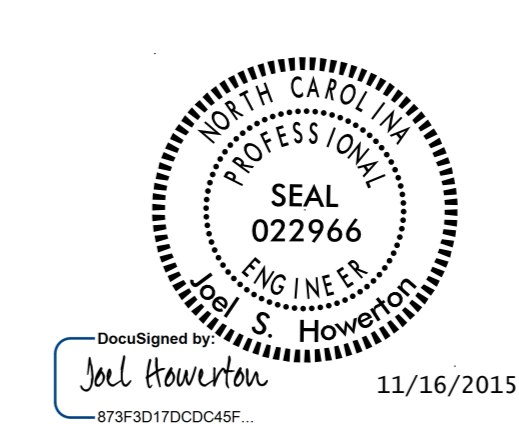
ALL MATERIAL AND WORKMANSHIP AS PER N.C. DEPARTMENT OF TRANSPORTATION STANDARD SPECIFICATIONS.



BILL OF MATERIAL
REINFORCING STEEL

BAR	SIZE	LENGTH	NO.	WEIGHT
DOWEL	#5	1'-4"	24	34
REINF. STEEL LBS.				34
TOTAL CLASS "AA" CONCRETE CU. YDS.				1.3

\$\$\$\$\$C:\TIME\$\$\$\$\$
\$\$\$\$\$C:\COURT\$\$\$\$\$
\$\$\$\$\$C:\PLOT\$\$\$\$\$
\$\$\$\$\$C:\USER\$\$\$\$\$



CONTRACT SERVICES & DEVELOPMENT UNIT
STANDARDS AND SPECIAL DESIGN
Office 919-707-6900 FAX 919-250-4119

DETAIL OF 42" RCP
CONCRETE COLLAR

ORIGINAL BY: _____ DATE: _____
 MODIFIED BY: rnbritt DATE: 11-07-14
 CHECKED BY: _____ DATE: _____
 FILE SPEC.: details\rnbritt\english\urban\w3308_72cb.dgn