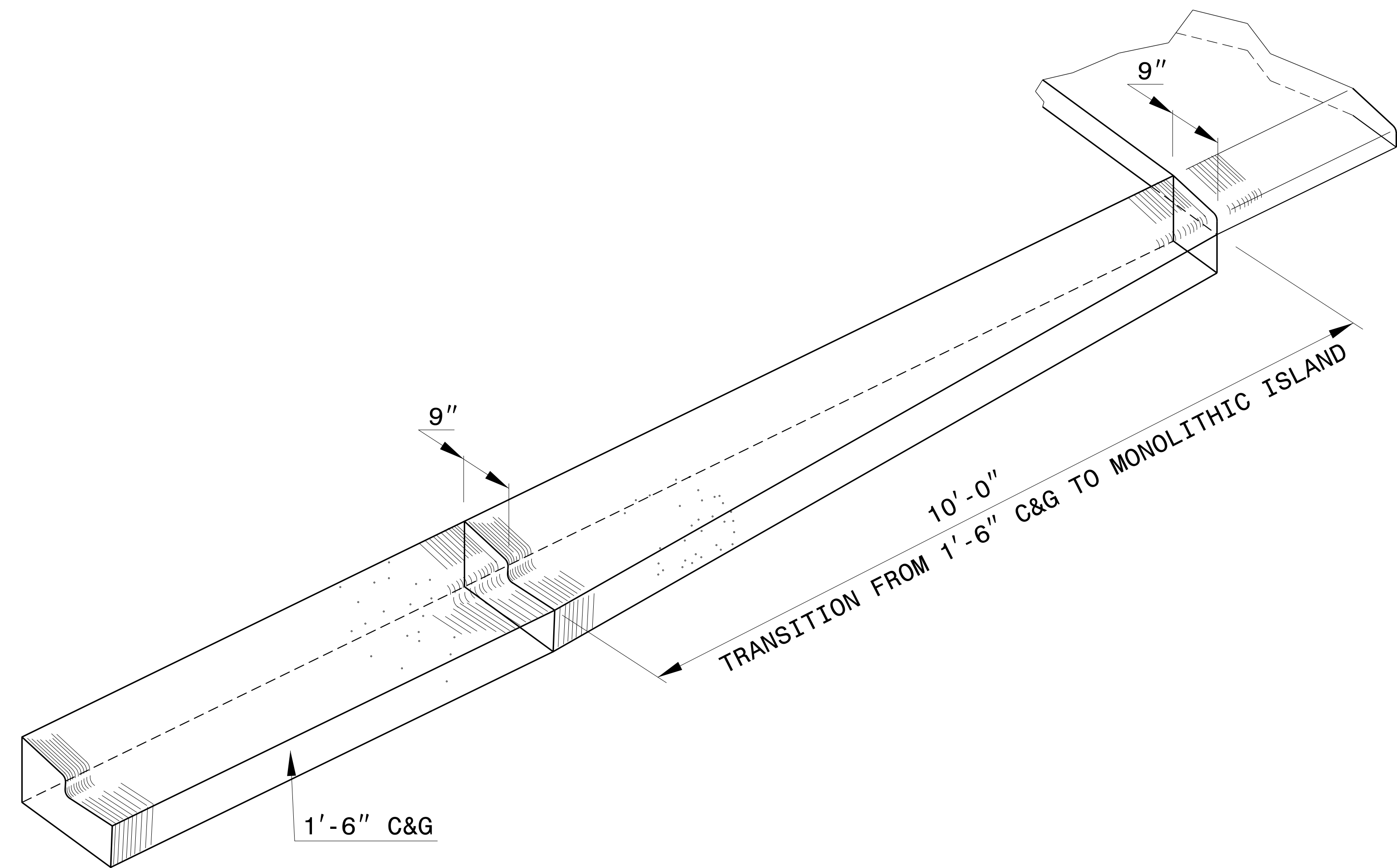


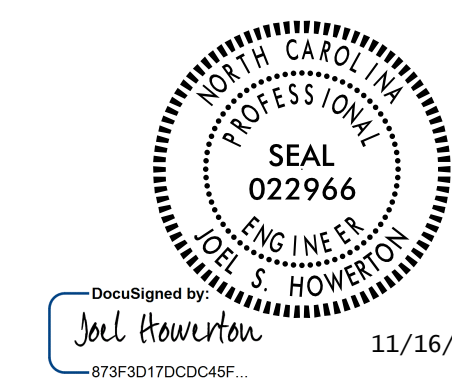
NOTE: SEE STD. DWG. 846.01 FOR ADDITIONAL CURB AND GUTTER INFORMATION.

SEE ROADWAY PLANS FOR LOCATION OF CURB TRANSITION.

1'-6" CURB AND GUTTER



**ISOMETRIC VIEW OF
TRANSITIONING CURB & GUTTER**



CONTRACTS STANDARDS AND DEVELOPMENT UNIT	
Office 919-707-6950	FAX 919-250-4119
DETAIL OF 1'-6" CURB & GUTTER TRANSITION SECTION	
ORIGINAL BY: _____	DATE: _____
MODIFIED BY: KKEMPF	DATE: 09-24-14
CHECKED BY: _____	DATE: _____
FILE SPEC.: kkempf/english/curb_gutter_tansition.dgn	