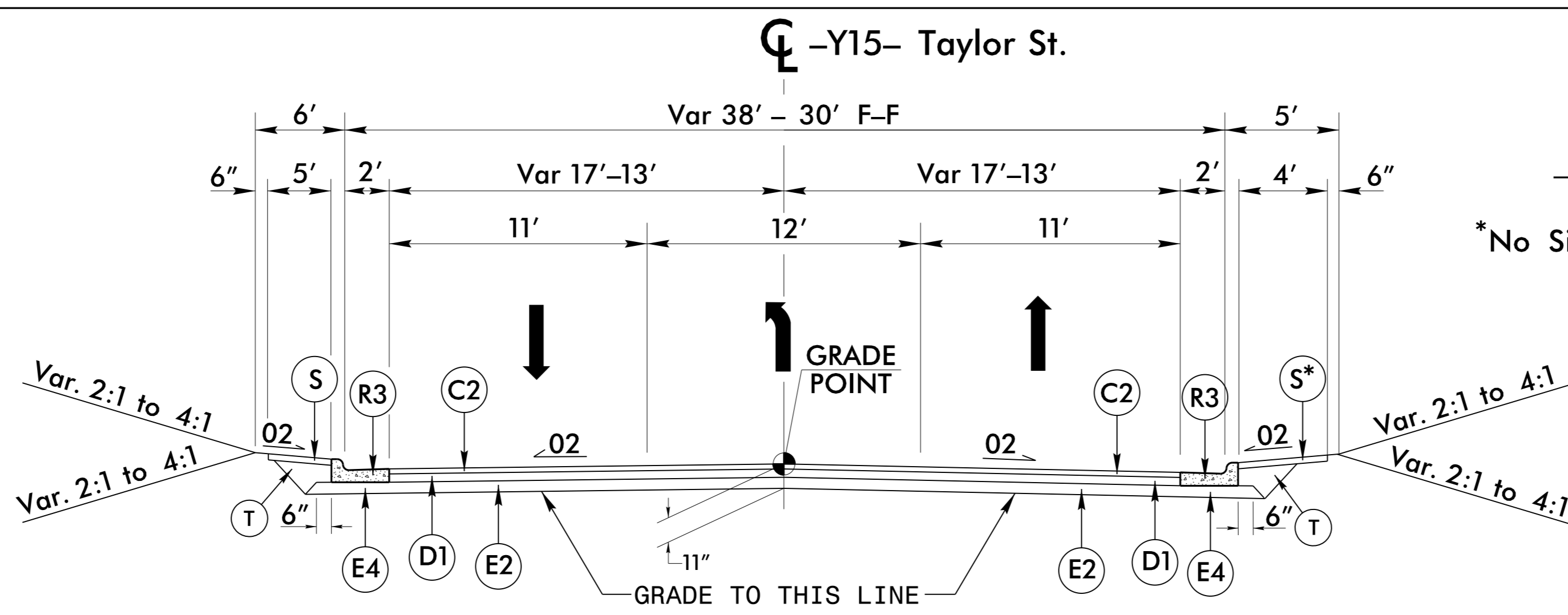


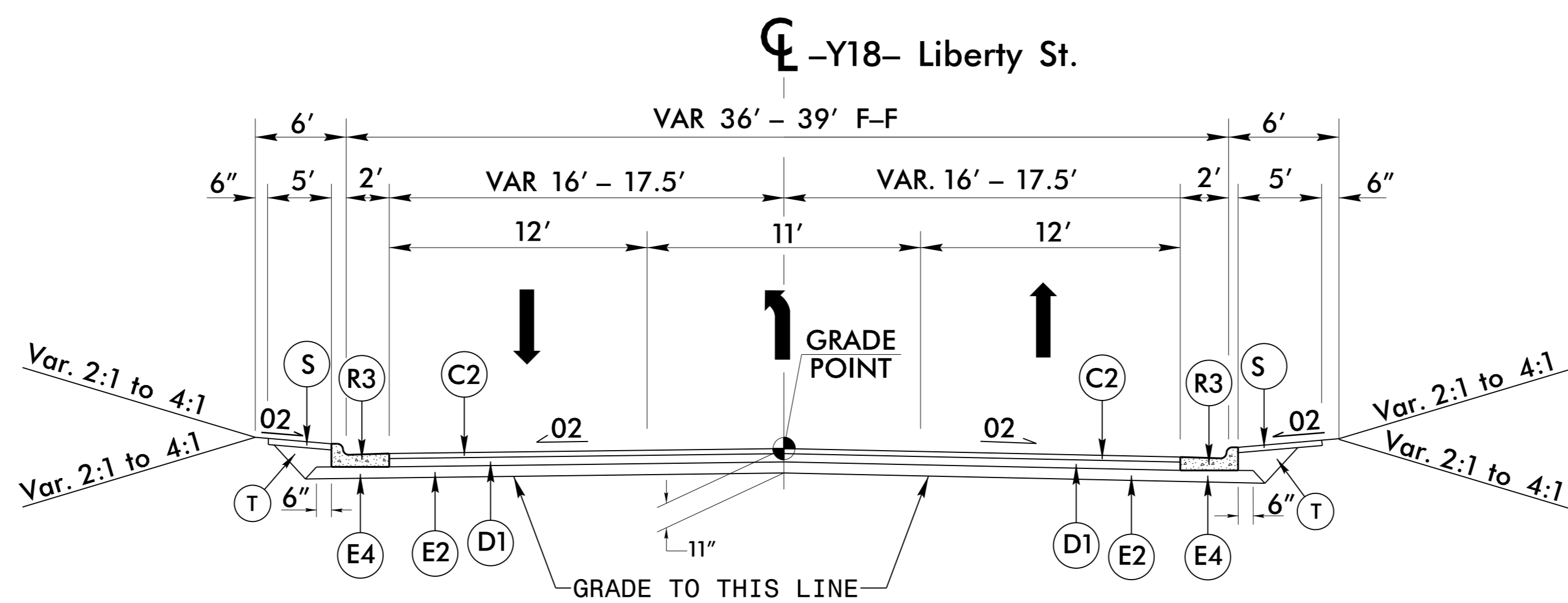
5/14/99

C1	1.5" TYPE S9.5B
C2	3" TYPE S9.5B
C3	VARIABLE DEPTH S9.5B
D1	4" TYPE I19.0B
D2	VARIABLE DEPTH TYPE I19.0B
E1	3" TYPE B25.0B
E2	4" TYPE B25.0B
E3	5" TYPE B25.0B
E4	VAR. DEPTH TYPE B25.0B
J	8" AGGREGATE BASE COURSE
K	SUBGRADE STABILIZATION
L	CLASS IV SUBGRADE STABILIZATION
N1	GEOTEXTILE FOR SOIL STABILIZATION
N2	GEOTEXTILE FOR PAVEMENT STABILIZATION
R1	PROP. 1'6" CONC. CURB AND GUTTER
R2	EXIST. 2'6" CONC. CURB AND GUTTER
R3	PROP. 2'6" CONC. CURB AND GUTTER
R4	PROP. CONCRETE ISLAND
S	PROPOSED CONCRETE SIDEWALK
T	EARTH MATERIAL
U	EXISTING PAVEMENT
V1	PROP. 1.5" ASPHALT MILLING
V2	PROP. 3" ASPHALT MILLING
V3	PROP. ASPHALT MILLING VARIABLE
W	ASPHALT WEDGING (SEE DETAIL)

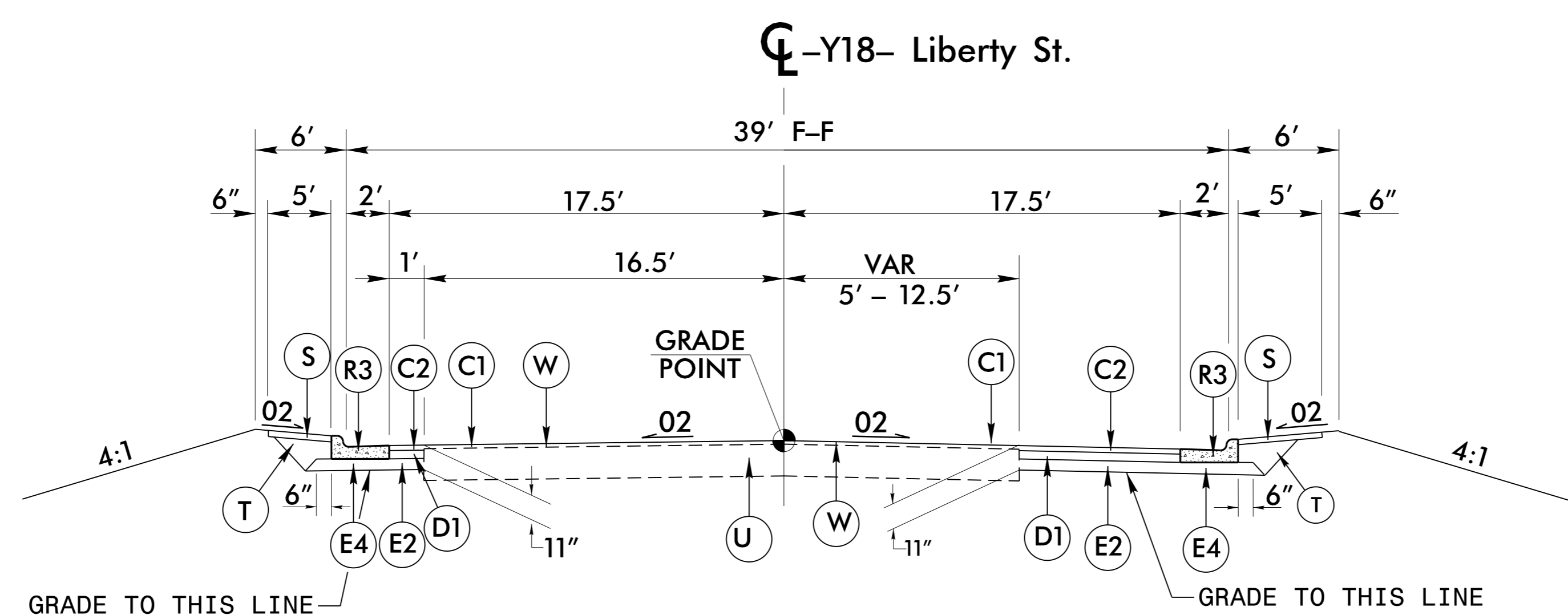
NOTE: ALL SLOPES ARE 1:1 UNLESS OTHERWISE NOTED.



**TYPICAL SECTION NO. 18**



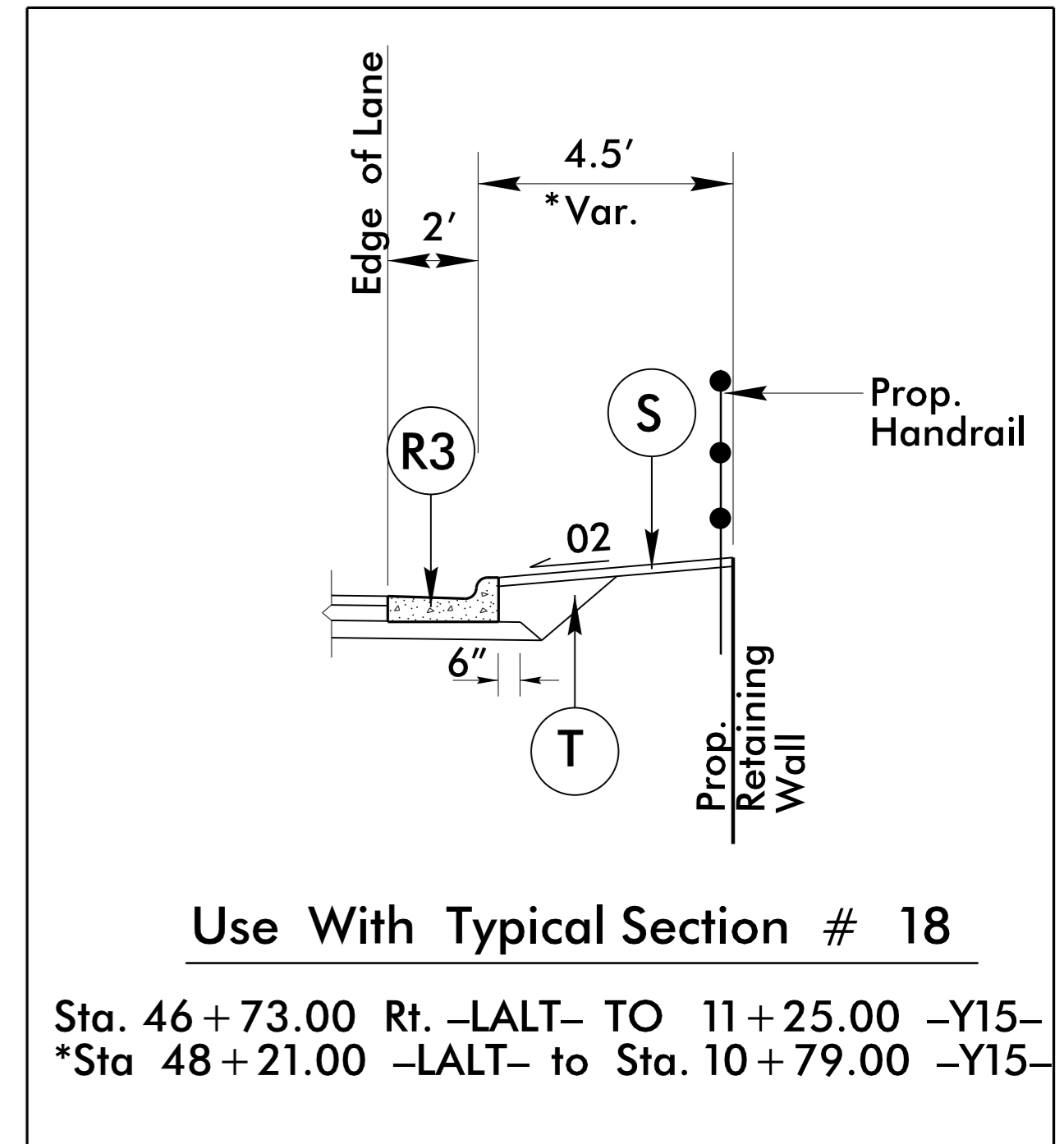
**TYPICAL SECTION NO. 19**



**TYPICAL SECTION NO. 20**

**USE TYPICAL SECTION NO. 18**  
 -Y15- Taylor St. Sta. 10+65.03 to 16+40.00  
 \*No Sidewalk -Y15- Sta. 13+80.00 to 16+40.00 Rt.

PROJECT REFERENCE NO. U-3308	SHEET NO. 2A-9
RW SHEET NO.	
ROADWAY DESIGN ENGINEER JAMES SPEER 11/23/2015	PAVEMENT DESIGN ENGINEER VADIMIR G. MITCHELL 11/19/2015



**USE TYPICAL SECTION NO. 19**  
 -Y18- Liberty St. Sta. 10+20.00 to 13+22.97  
 -Y18- Liberty St. Sta. 14+45.35 to 15+15.00

**USE TYPICAL SECTION NO. 20**  
 -Y18- Liberty St. Sta. 15+15.00 to 16+30.00  
 TRANSITION TO TYPICAL NO. 21:  
 -Y18- Liberty St. Sta. 16+30.00 to 17+05.00

14-MAY-2015 10:30  
 88851103308-2A-9-1.dgn