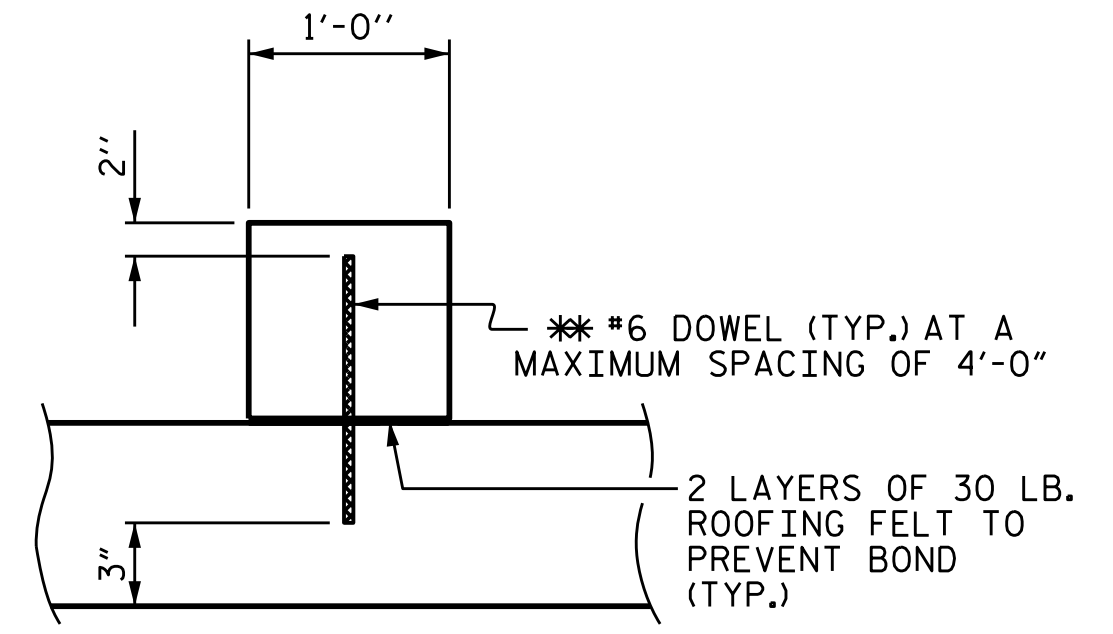
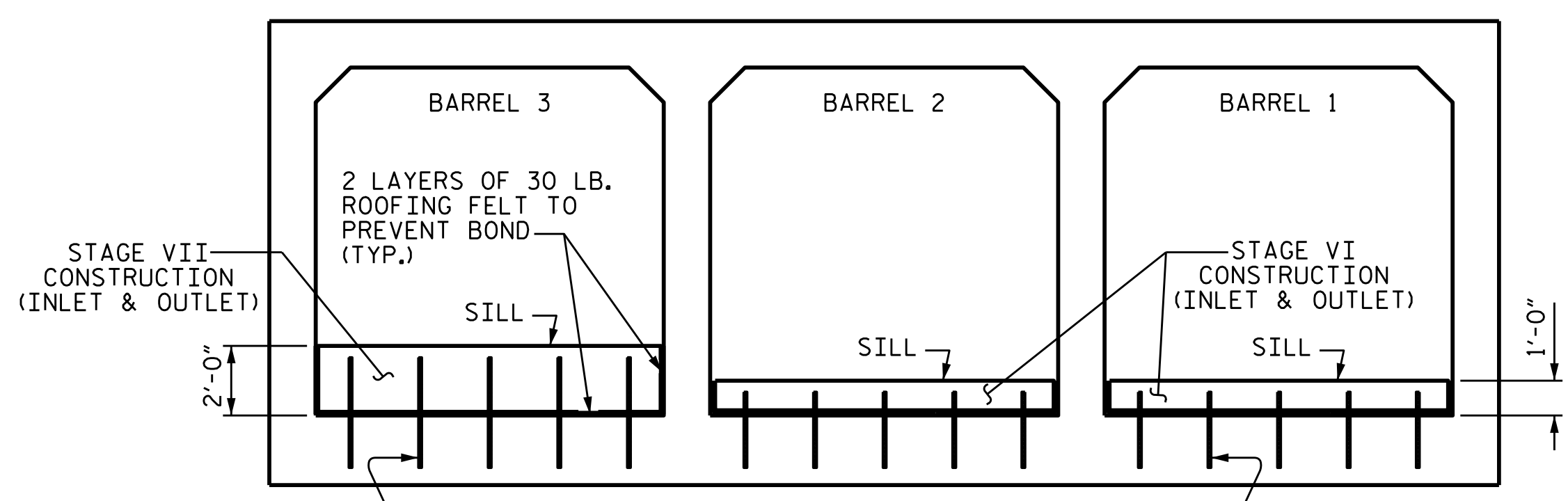


**SECTION C-C**

(LOOKING DOWNSTREAM)  
THERE ARE 148 "C" BARS IN SECTION OF BARREL.



**SECTION THROUGH SILL**



**ELEVATION**

SILLS AT INLET LOOKING DOWNSTREAM SHOWN.  
SILLS AT OUTLET SIMILAR EXCEPT NUMBER OF DOWELS REQUIRED.

**SILL DETAILS**

\*\* DOWELS MAY BE PUSHED INTO GREEN CONCRETE AFTER SLAB HAS BEEN FLOAT FINISHED

PROJECT NO. B-4490  
CUMBERLAND COUNTY  
STATION: 19+26.42 -L-

SHEET 6 OF 18



STATE OF NORTH CAROLINA  
DEPARTMENT OF TRANSPORTATION  
RALEIGH

**TRIPLE 14 FT. X 9 FT. CONCRETE BOX CULVERT**

DRAWN BY :	I.L. AVERETTE	DATE :	07-15
CHECKED BY :	J.P. ADAMS	DATE :	08-15
DESIGN ENGINEER OF RECORD :	I.L. AVERETTE	DATE :	09-15

DOCUMENT NOT CONSIDERED FINAL UNLESS ALL SIGNATURES COMPLETED

REVISIONS						SHEET NO.
NO.	BY:	DATE:	NO.	BY:	DATE:	C-6
1			3			TOTAL SHEETS
2			4			18