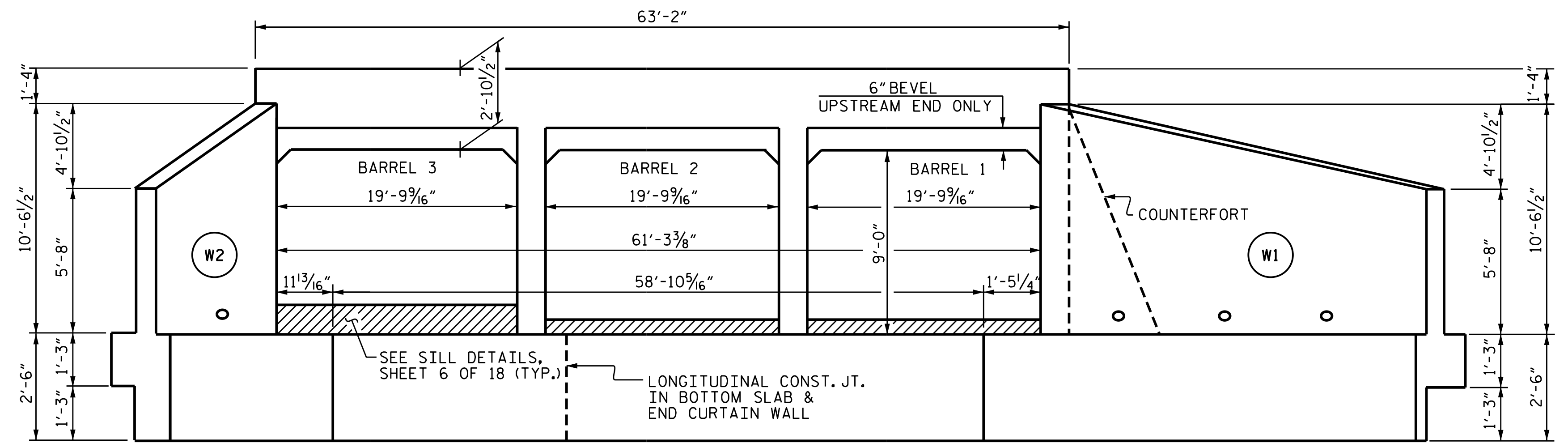


CULVERT SECTION NORMAL TO ROADWAY

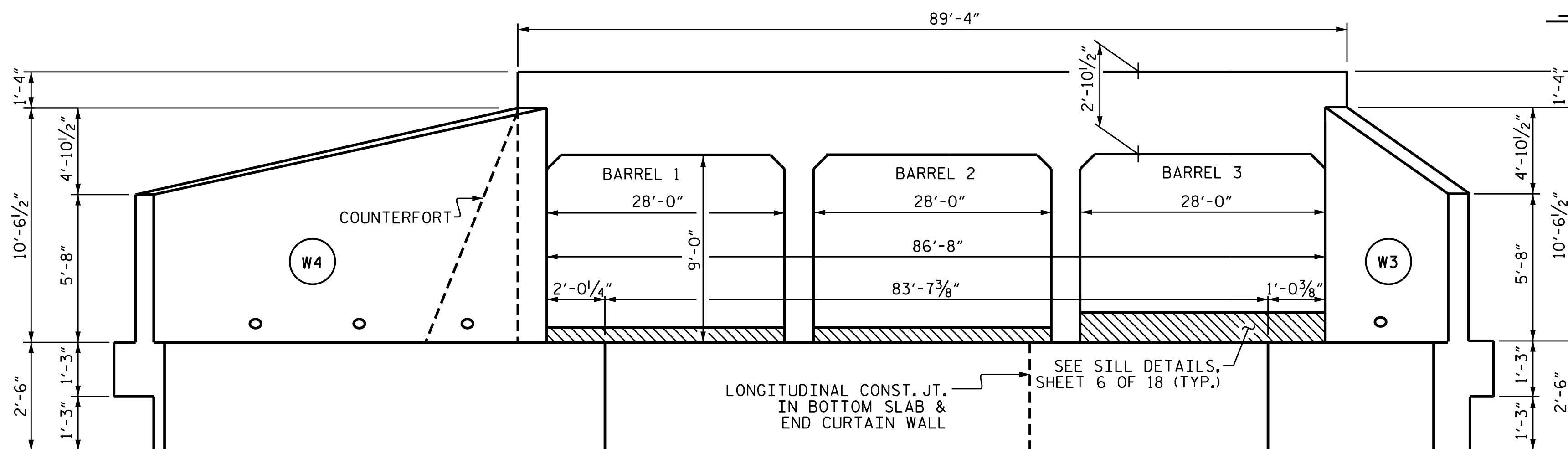
SEE SHEET 4 OF 18 FOR STAGING DETAILS
 SILLS NOT SHOWN FOR CLARITY, SEE SHEET 6 OF 18
 R.C. PIPES THROUGH SIDEWALLS OF CULVERT NOT SHOWN FOR CLARITY, SEE SHEETS 7, 9 AND 10 OF 18.

I HEREBY CERTIFY THESE PLANS ARE THE AS-BUILT PLANS



INLET END ELEVATION

NORMAL TO SKEW (LOOKING DOWNSTREAM)



OUTLET END ELEVATION

NORMAL TO SKEW (LOOKING UPSTREAM)

PROJECT NO. B-4490
CUMBERLAND COUNTY
 STATION: 19+26.42 -L-
 SHEET 3 OF 18



STATE OF NORTH CAROLINA
 DEPARTMENT OF TRANSPORTATION
 RALEIGH
 TRIPLE 14 FT. X 9 FT.
 CONCRETE BOX CULVERT

DRAWN BY: I.L. AVERETTE DATE: 07-15
 CHECKED BY: J.P. ADAMS DATE: 08-15
 DESIGN ENGINEER OF RECORD: I.L. AVERETTE DATE: 09-15

DOCUMENT NOT CONSIDERED
 FINAL UNLESS ALL
 SIGNATURES COMPLETED

REVISIONS						SHEET NO.
NO.	BY:	DATE:	NO.	BY:	DATE:	C-3
1			3			TOTAL SHEETS
2			4			18