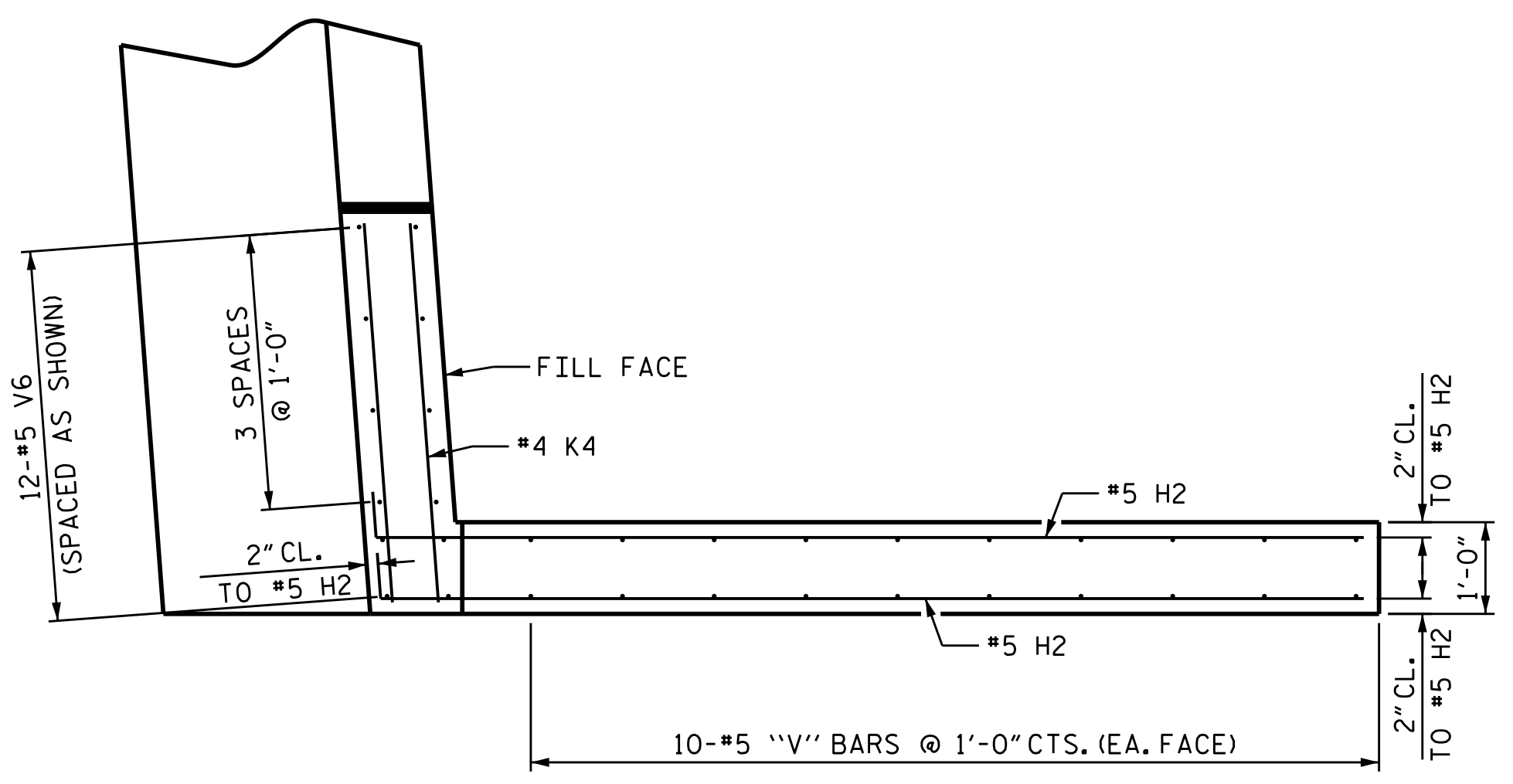
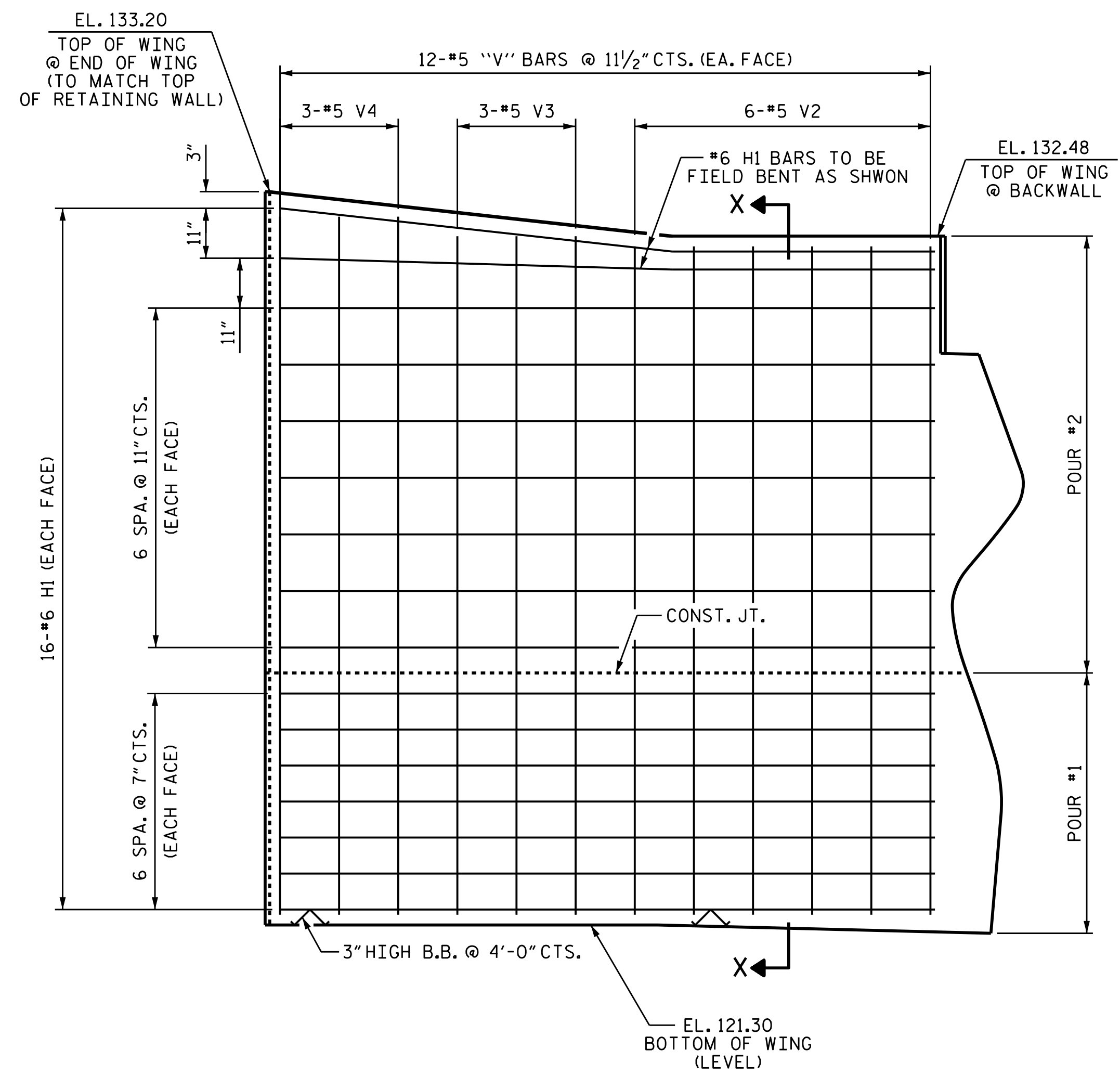


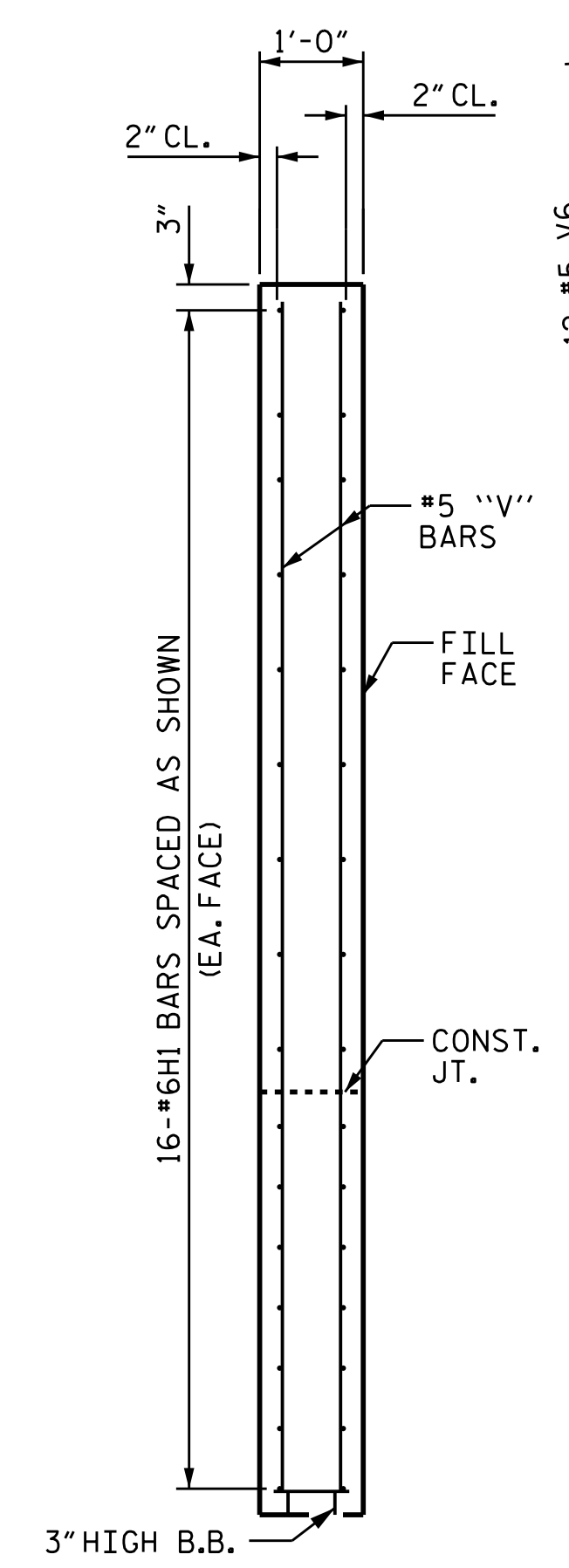
PLAN OF LEFT WING - (W1)
STAGE I



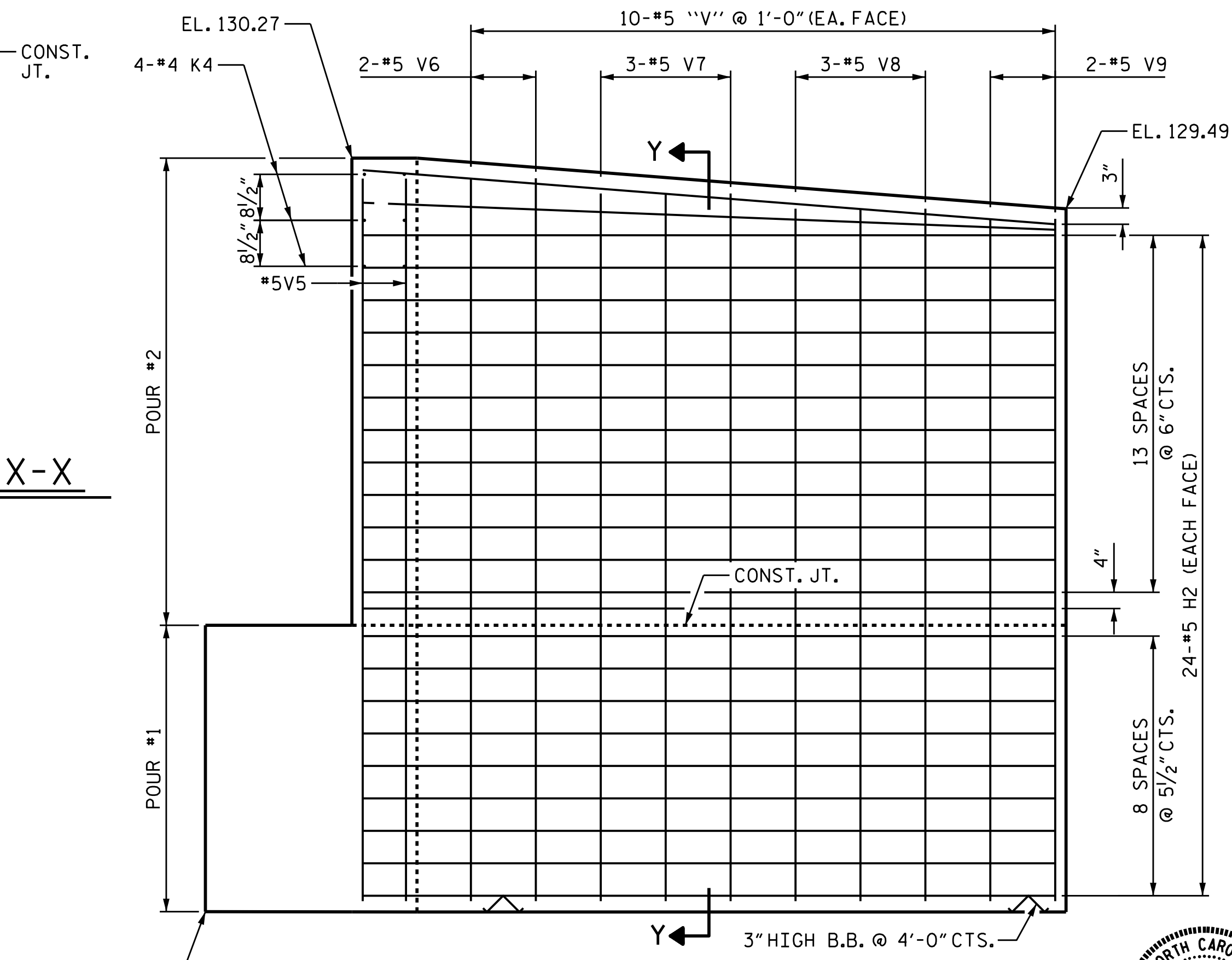
PLAN OF RIGHT WING - (W2)
STAGE II



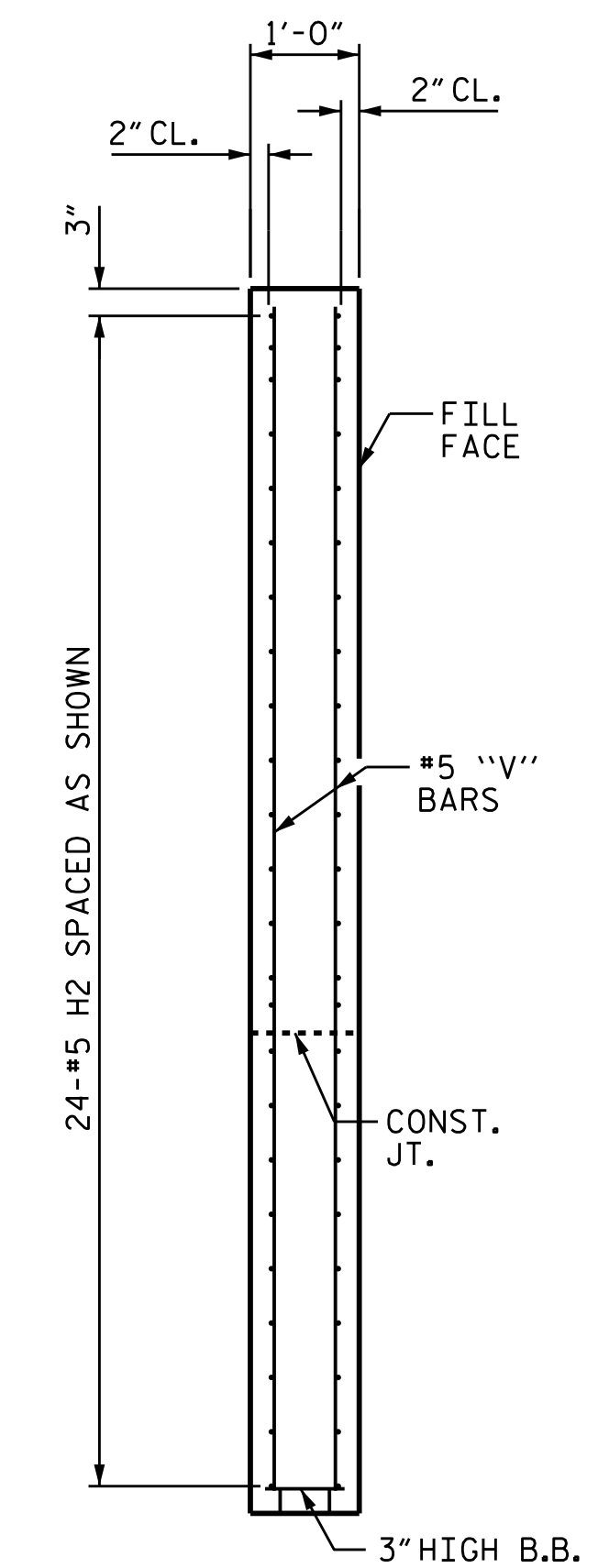
ELEVATION OF LEFT WING - (W1)
STAGE I



SECTION X-X

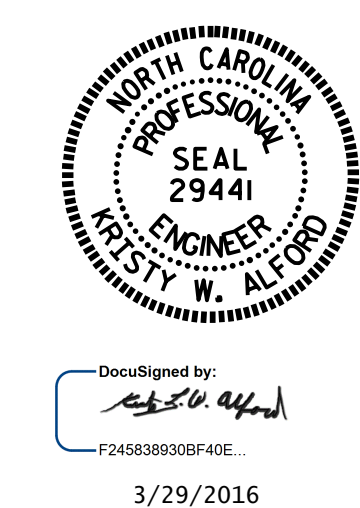


ELEVATION OF RIGHT WING - (W2)
STAGE II



SECTION Y-Y

PROJECT NO. B-4490
CUMBERLAND COUNTY
 STATION: 35+23.40 -L-
 SHEET 3 OF 3



STATE OF NORTH CAROLINA
 DEPARTMENT OF TRANSPORTATION
 RALEIGH

SUBSTRUCTURE
 END BENT 2

DRAWN BY : D. SHACKELFORD DATE : 02/2015
 CHECKED BY : J.P. ADAMS DATE : 07/2015
 DESIGN ENGINEER OF RECORD: P.K. NEWTON DATE : 09/2015

DOCUMENT NOT CONSIDERED
 FINAL UNLESS ALL
 SIGNATURES COMPLETED

REVISIONS						SHEET NO.	
NO.	BY:	DATE:	NO.	BY:	DATE:	S-80	
1			3			TOTAL SHEETS	
2			4			84	