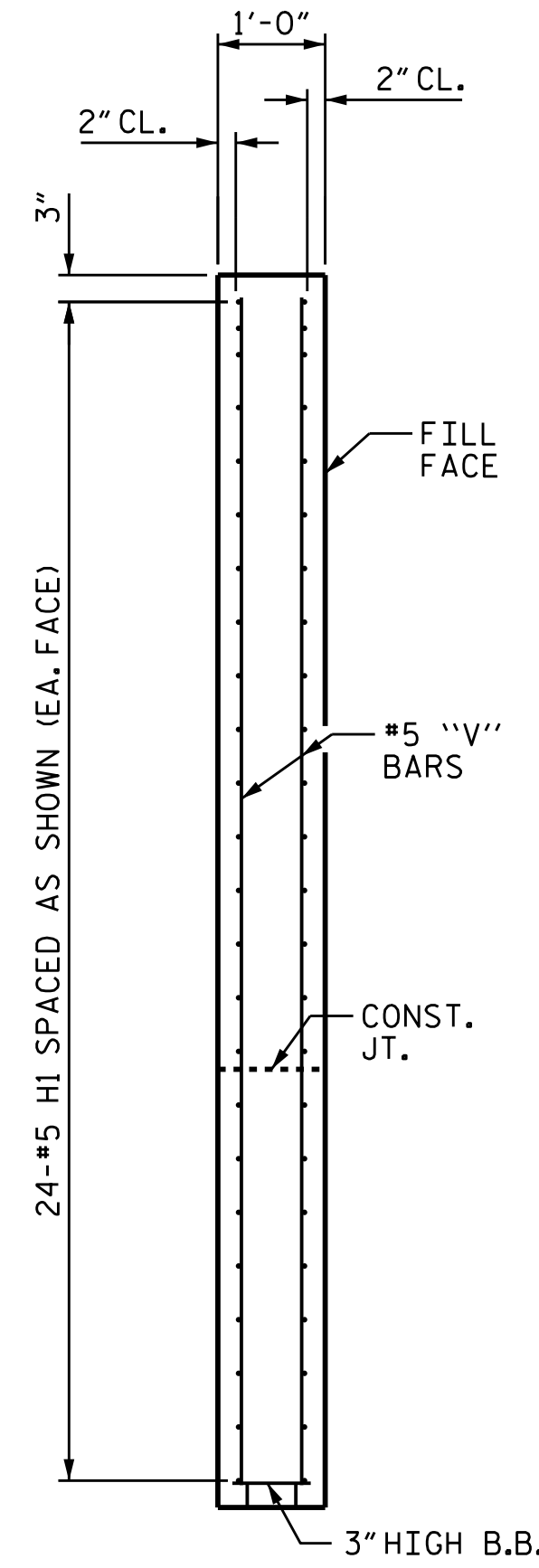
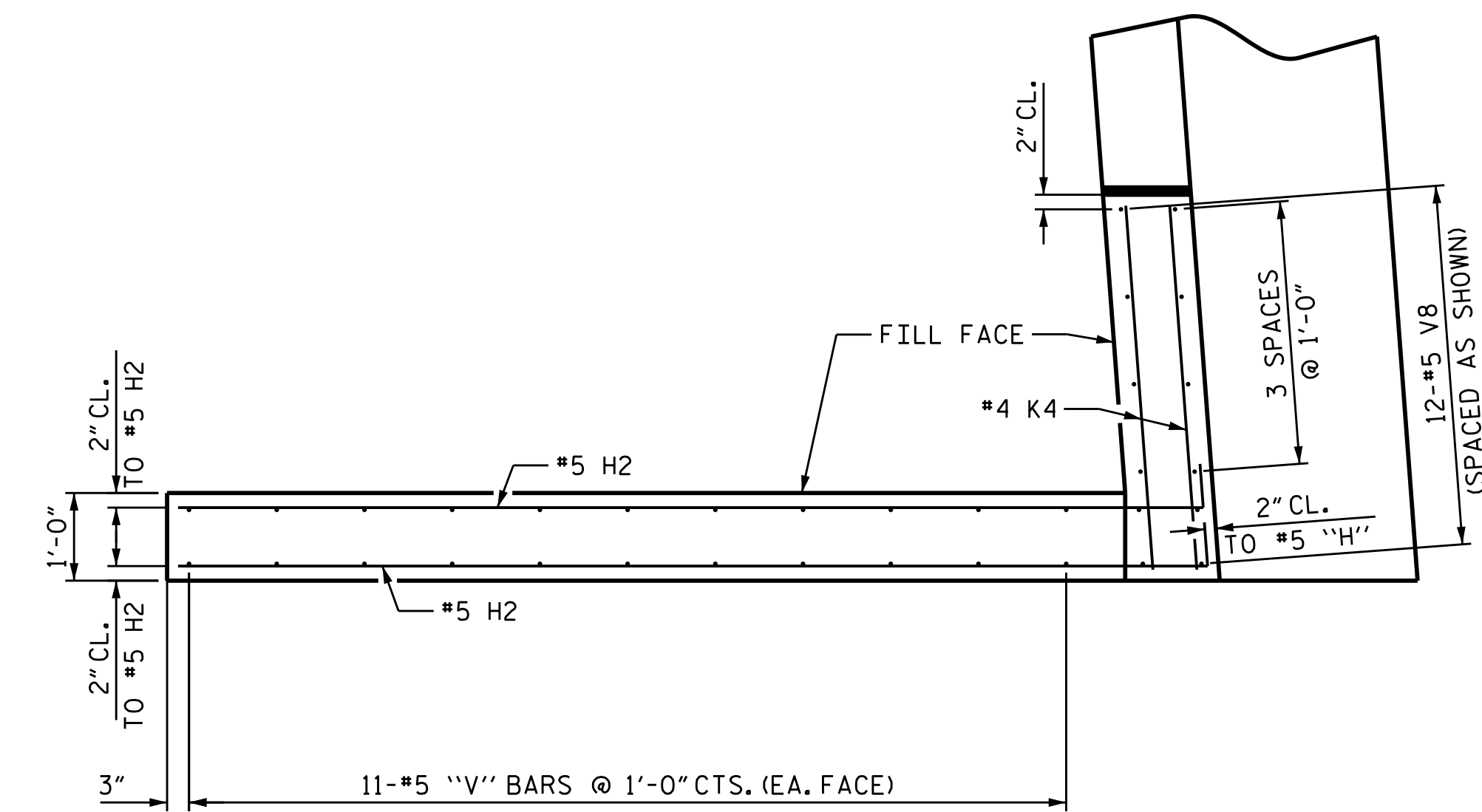


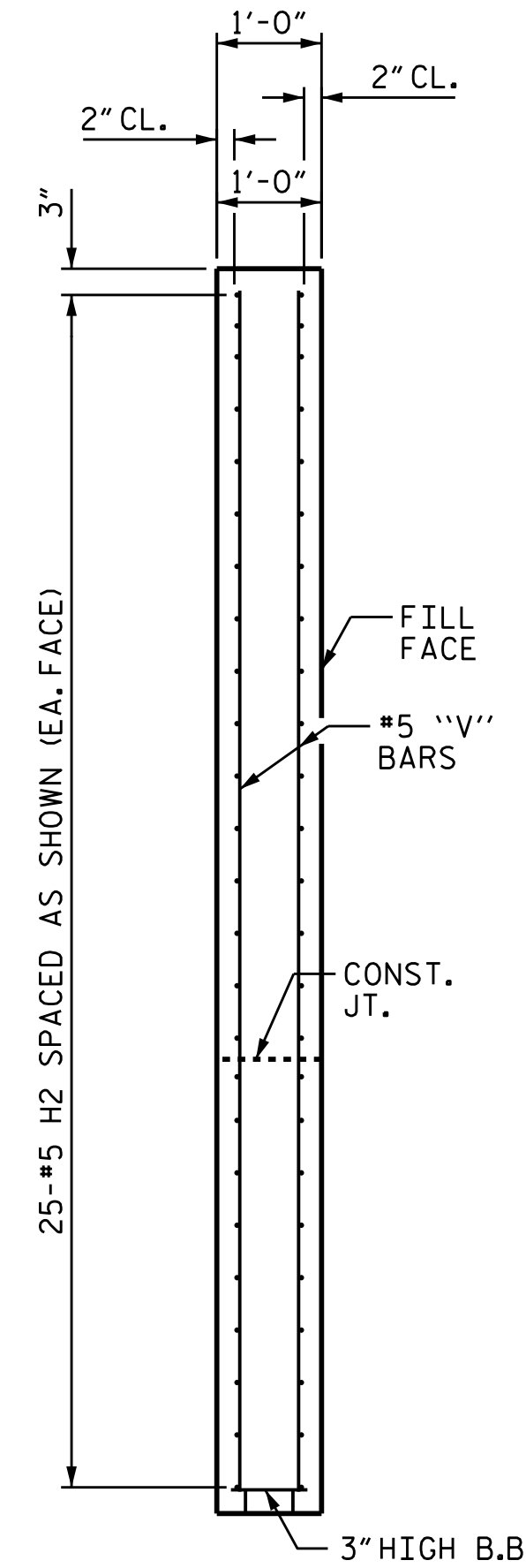
PLAN OF LEFT WING - (W1)
STAGE I



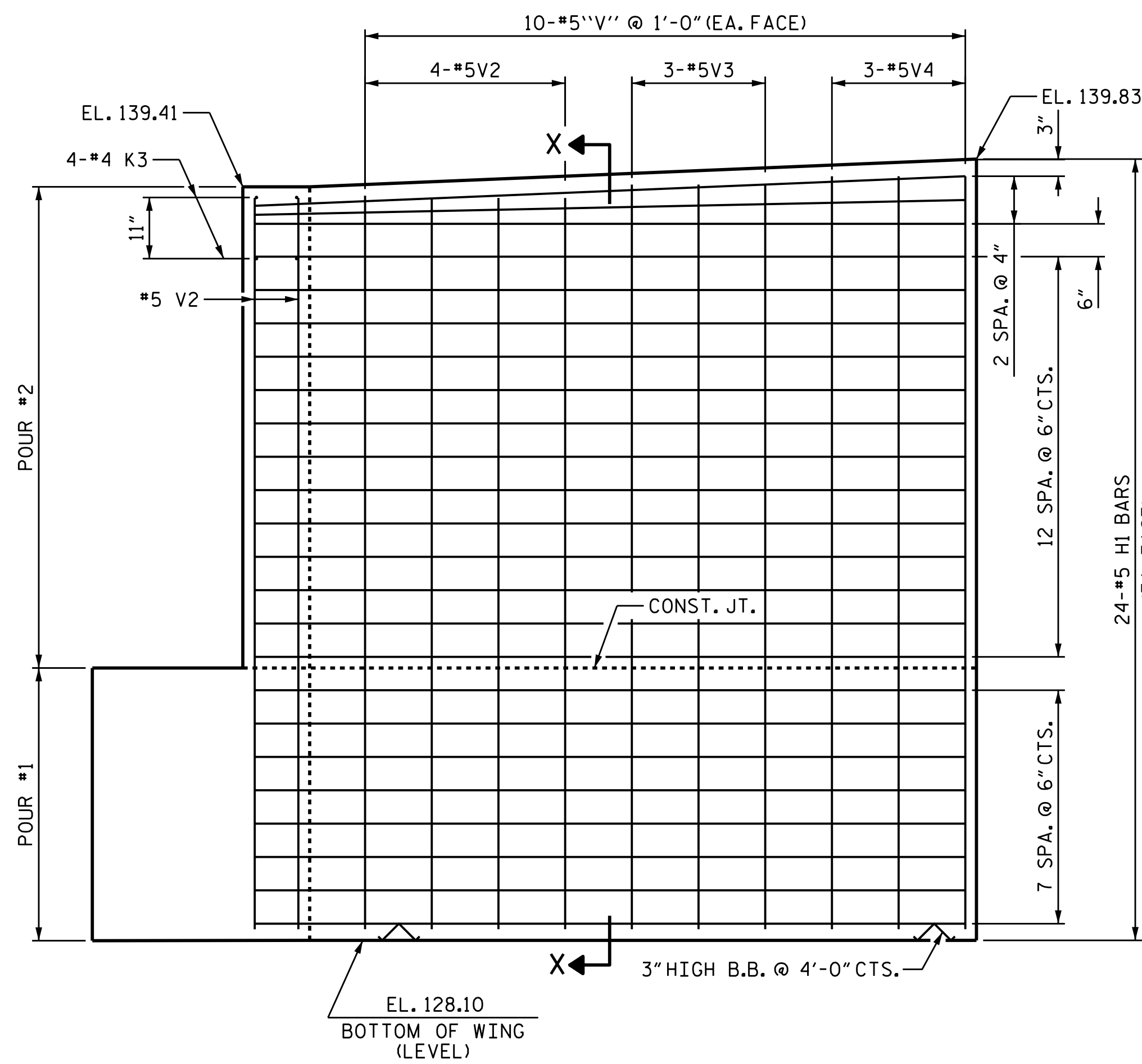
SECTION X-X



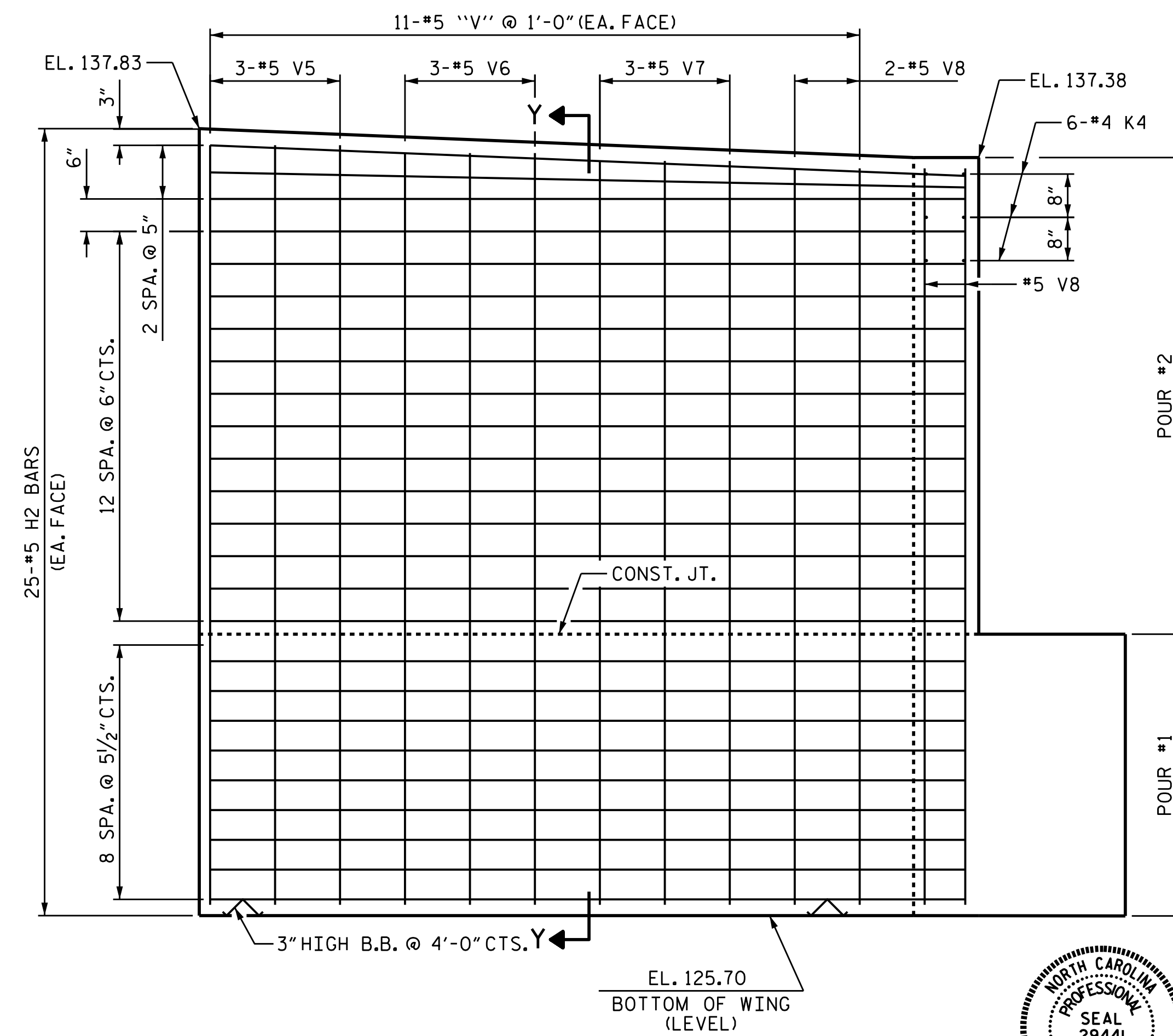
PLAN OF RIGHT WING - (W2)
STAGE II



SECTION Y-Y



ELEVATION OF LEFT WING - (W1)
STAGE I



ELEVATION OF RIGHT WING - (W2)
STAGE II

PROJECT NO. B-4490
CUMBERLAND COUNTY
STATION: 35+23.40 -L-
SHEET 3 OF 4



STATE OF NORTH CAROLINA
DEPARTMENT OF TRANSPORTATION
RALEIGH
SUBSTRUCTURE
END BENT 1

DRAWN BY: D. SHACKELFORD DATE: 02/2015
CHECKED BY: J.P. ADAMS DATE: 07/2015
DESIGN ENGINEER OF RECORD: P.K. NEWTON DATE: 09/2015

DOCUMENT NOT CONSIDERED
FINAL UNLESS ALL
SIGNATURES COMPLETED

REVISIONS						SHEET NO.	
NO.	BY:	DATE:	NO.	BY:	DATE:	S-76	
1			3			TOTAL SHEETS 84	
2			4				