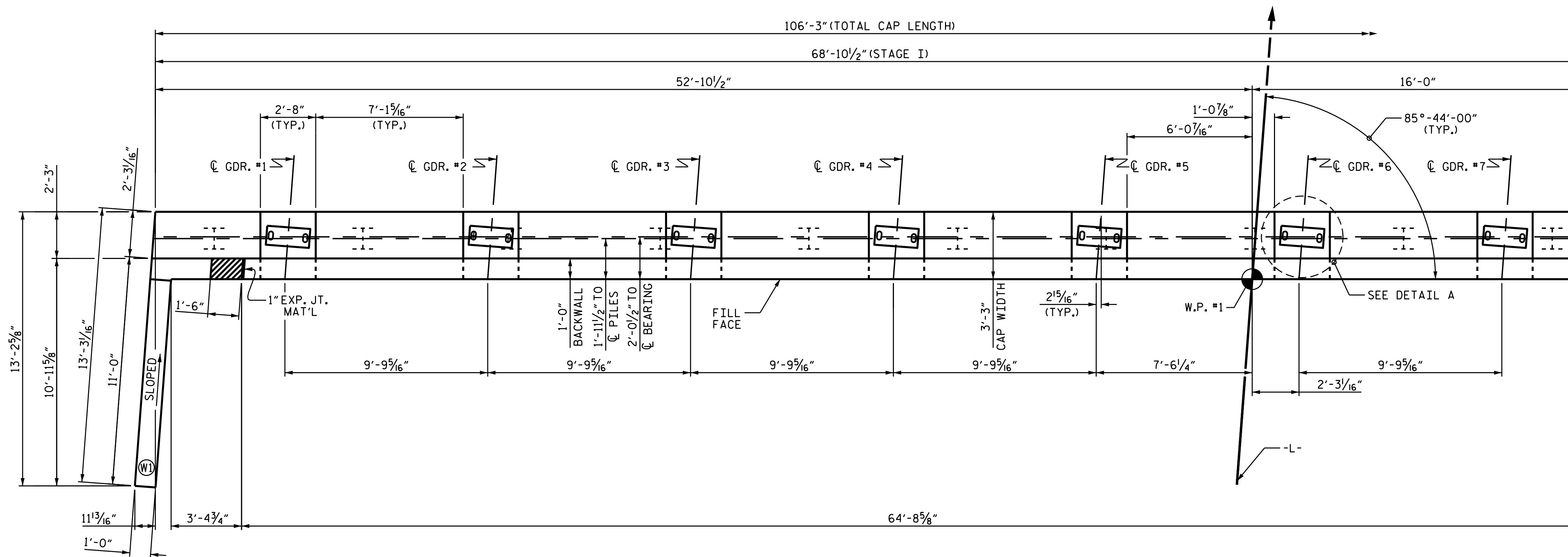
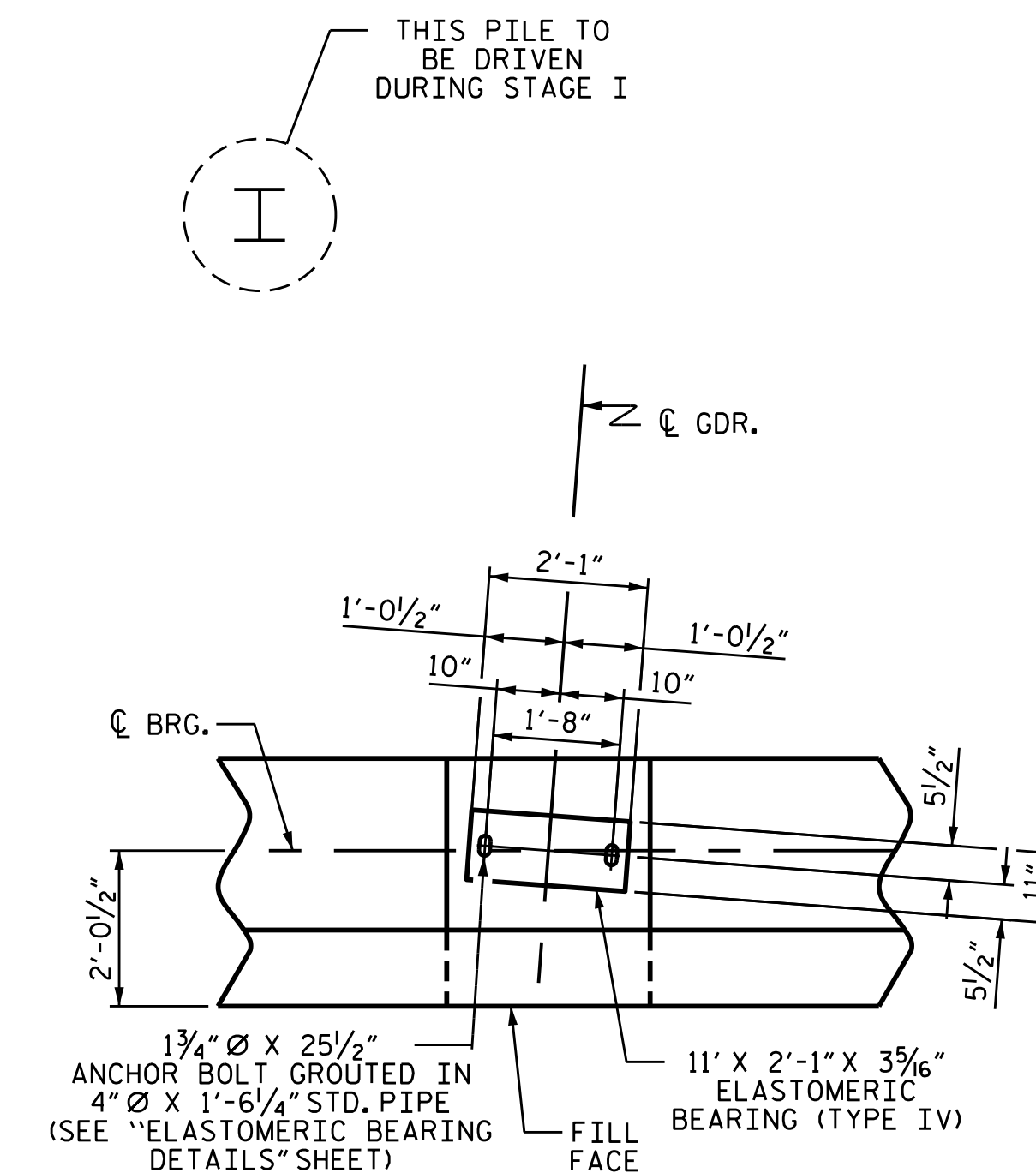


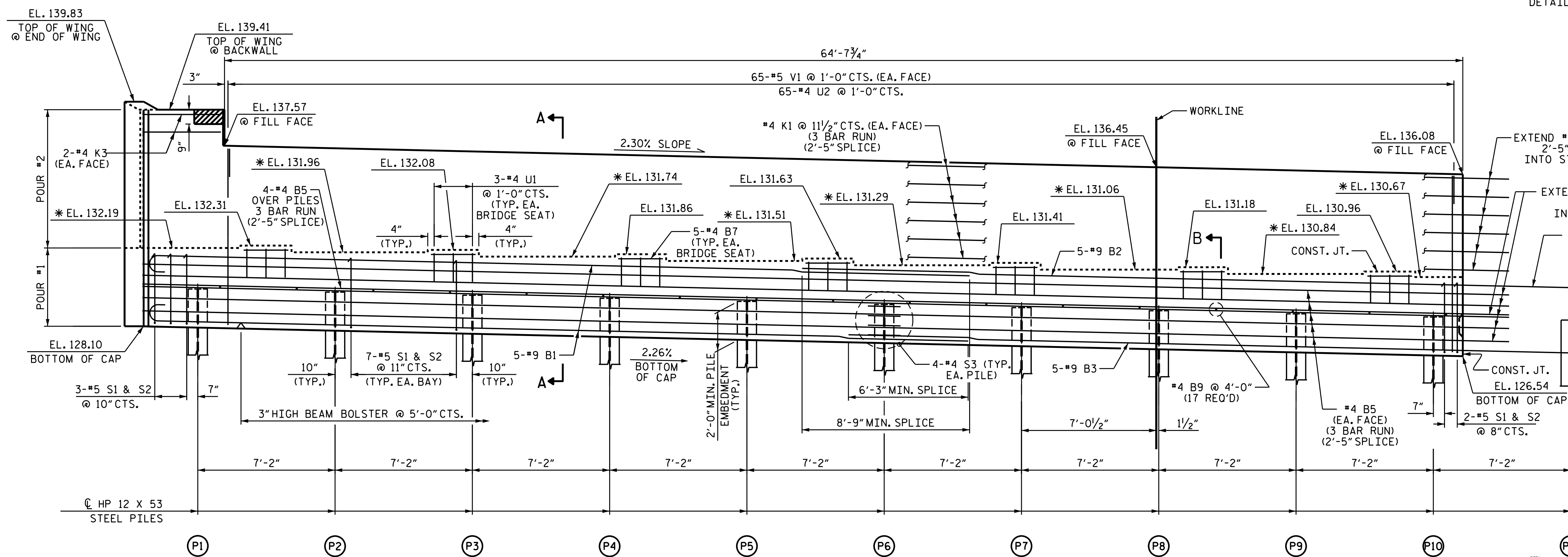
DOCUMENT NOT CONSIDERED
FINAL UNLESS ALL
SIGNATURES COMPLETED



PLAN



DETAIL A
(TYP. EA. GIRDER)



ELEVATION

* FOR LOCATION OF ELEVATION BETWEEN BRIDGE SEAT BUILD-UPS, SEE SHEET 4 OF 4.
FOR TOP OF PILE ELEVATIONS, SEE SHEET 2 OF 4.
FOR SHEAR KEY DETAIL, SEE SHEET 4 OF 4.

PROJECT NO. B-4490
CUMBERLAND COUNTY
STATION: 35+23.40 -L-

SHEET 1 OF 4

STATE OF NORTH CAROLINA
DEPARTMENT OF TRANSPORTATION
RALEIGH
SUBSTRUCTURE
END BENT 1
STAGE I



DRAWN BY: D. SHACKELFORD DATE: 02/2015
CHECKED BY: J.P. ADAMS DATE: 07/2015
DESIGN ENGINEER OF RECORD: P.K. NEWTON DATE: 09/2015

REVISIONS						SHEET NO.	
NO.	BY:	DATE:	NO.	BY:	DATE:	S-74	
1			3			TOTAL SHEETS	
2			4			84	