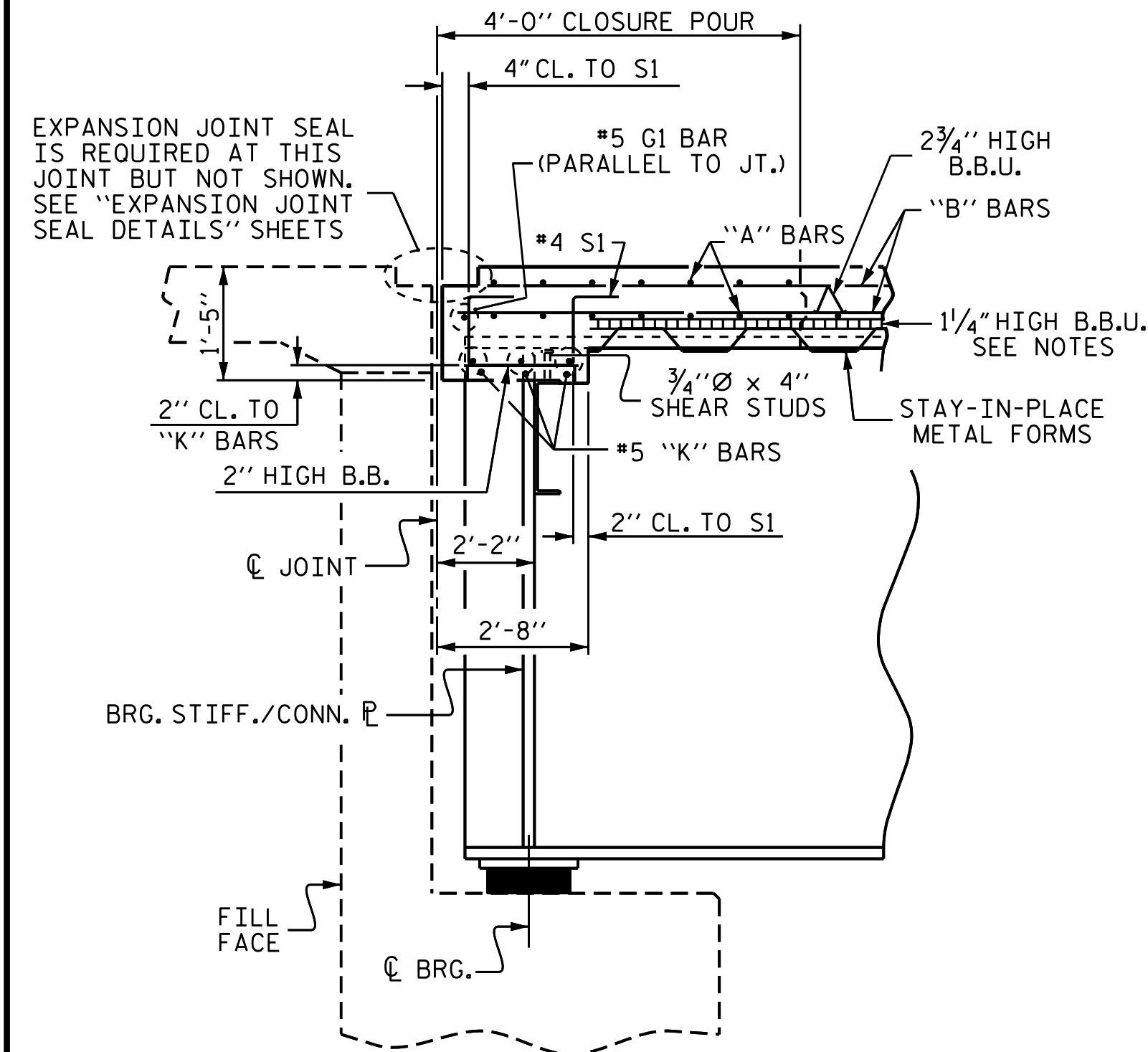


**PARTIAL TYPICAL SECTION**  
(SHOWING INTERMEDIATE DIAPHRAGMS)

**PARTIAL TYPICAL SECTION**  
(SHOWING END BENT DIAPHRAGMS)

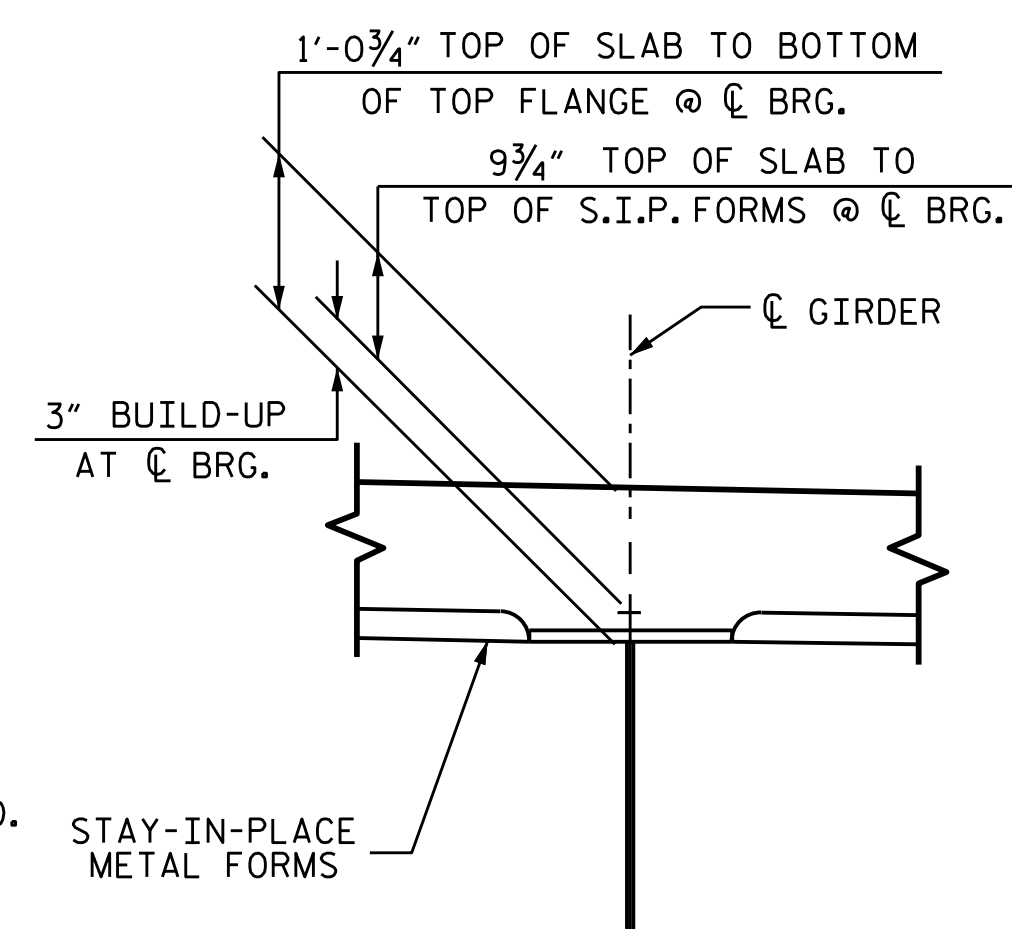


**SECTION @ END BENT**  
(SECTION TAKEN NORMAL TO FILL FACE)

**NOTES**

- PROVIDE 1/4" HIGH BEAM BOLSTERS UPPER AT 4'-0" CTS. ATOP THE METAL STAY-IN-PLACE FORMS TO SUPPORT THE BOTTOM MAT OF "A" BARS. WHEN USING REMOVABLE FORMS, PROVIDE CONTINUOUS HIGH CHAIRS FOR METAL DECK (C.H.C.M.) @ 4'-0" CTS. WITH A HEIGHT TO SUPPORT THE BOTTOM MAT OF "A" BARS A CLEAR DISTANCE OF 2 1/2" ABOVE THE TOP OF THE REMOVABLE FORM.
- CONCRETE PARAPET AND SIDEWALK SHALL NOT BE CAST UNTIL ALL SLAB CONCRETE HAS BEEN CAST AND HAS REACHED A MINIMUM COMPRESSIVE STRENGTH OF 3,000 PSI.
- #5 G1 BAR MAY BE SHIFTED SLIGHTLY, AS NECESSARY, TO CLEAR REINFORCING STEEL AND STIRRUPS.
- THE CONTRACTOR MAY, WHEN NECESSARY, PROPOSE A SCHEME FOR AVOIDING INTERFERENCE BETWEEN METAL STAY-IN-PLACE FORM SUPPORTS OR FORMS AND BEAM/GIRDER STIFFENERS OR CONNECTOR PLATES. THE PROPOSAL SHALL BE INDICATED, AS APPROPRIATE, ON EITHER THE STEEL WORKING DRAWINGS OR THE METAL STAY-IN-PLACE FORM WORKING DRAWINGS.

- METAL STAY-IN-PLACE FORMS SHALL NOT BE WELDED TO BEAM OR GIRDER FLANGES IN THE ZONES REQUIRING CHARPY V-NOTCH TEST. SEE STRUCTURAL STEEL DETAIL SHEETS.
- PREVIOUSLY CAST CONCRETE IN THE SPAN SHALL HAVE ATTAINED A MINIMUM COMPRESSIVE STRENGTH OF 3,000 PSI BEFORE ADDITIONAL CONCRETE IS CAST IN THE SPAN.
- ALL REINFORCING STEEL IN PARAPETS, END POSTS, SIDEWALKS AND CONCRETE MEDIAN SHALL BE EPOXY COATED.
- FOR EXPANSION JOINT SEALS, SEE SPECIAL PROVISIONS.
- FOR ORNAMENTAL FENCE, SEE SPECIAL PROVISIONS.



**DETAIL A**

PROJECT NO. B-4490  
CUMBERLAND COUNTY  
STATION: 29+57.01 -L-

STATE OF NORTH CAROLINA  
DEPARTMENT OF TRANSPORTATION  
RALEIGH

**SUPERSTRUCTURE  
TYPICAL SECTION**

REVISIONS						SHEET NO.	
NO.	BY:	DATE:	NO.	BY:	DATE:	S-6	
1			3			TOTAL SHEETS	
2			4			84	

DRAWN BY : A. SORSENGINH DATE : 5/2015  
CHECKED BY : J.P. ADAMS DATE : 6/2015  
DESIGN ENGINEER OF RECORD : A. SORSENGINH DATE : 9/2015

DOCUMENT NOT CONSIDERED  
FINAL UNLESS ALL  
SIGNATURES COMPLETED