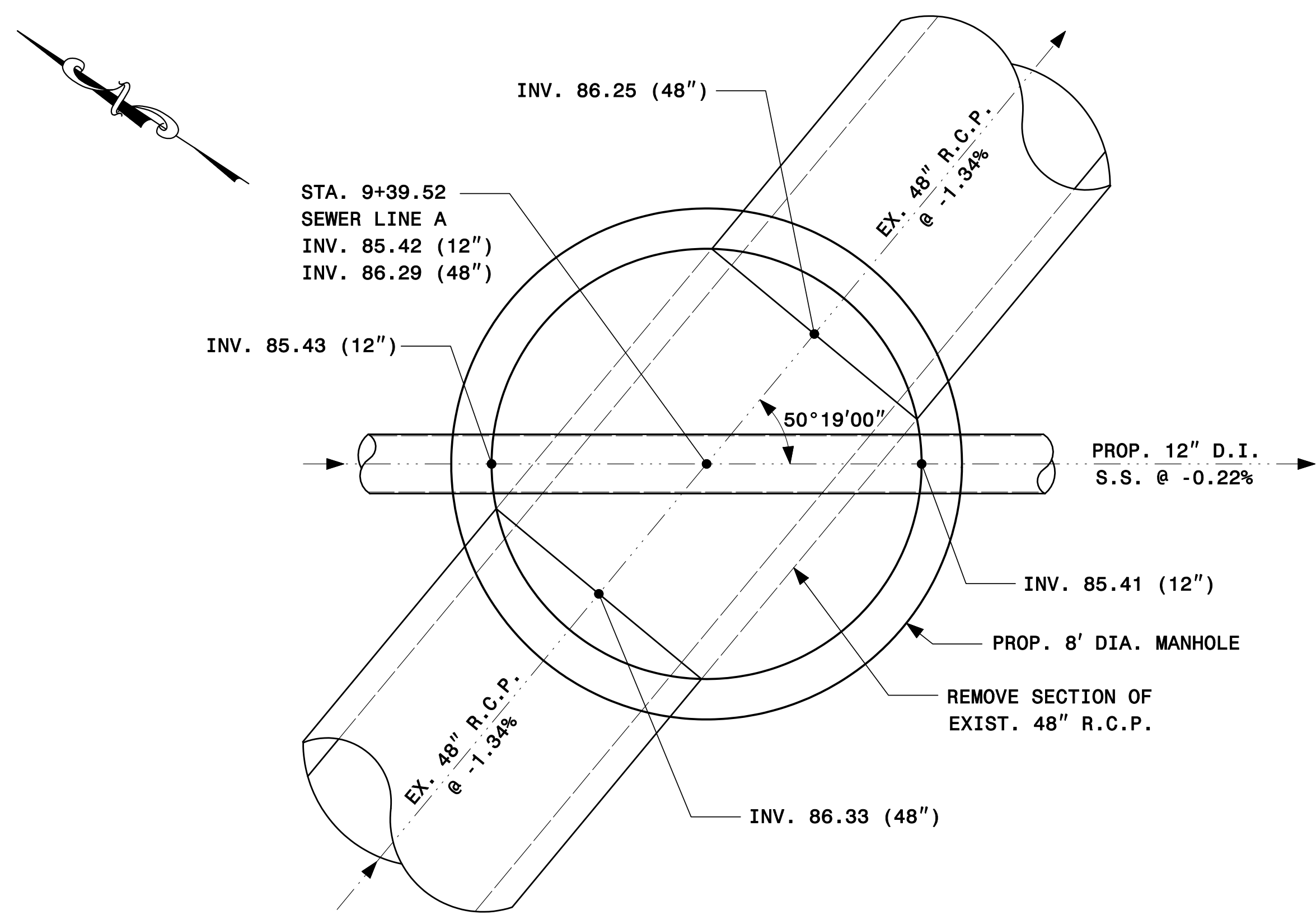
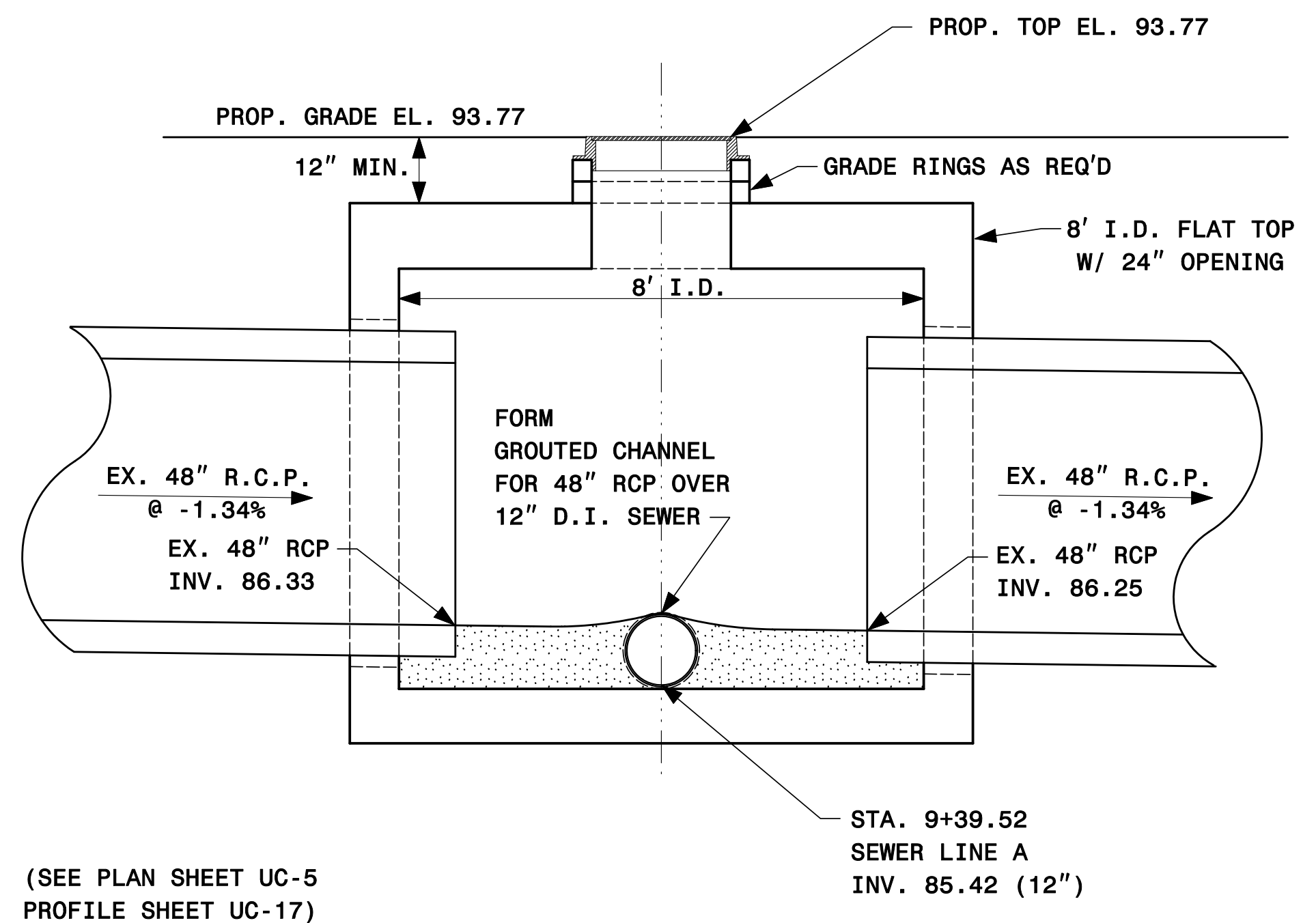


PROJECT REFERENCE NO. B-4490	SHEET NO. UC-3A
DESIGNED BY:	
DRAWN BY:	
CHECKED BY:	
APPROVED BY:	
REVISED:	
NORTH CAROLINA DEPARTMENT OF TRANSPORTATION UTILITIES ENGINEERING SEC. PHONE: (919) 707-6690 FAX: (919) 250-4151	

UTILITY CONSTRUCTION
 DOCUMENT NOT CONSIDERED FINAL
 UNLESS ALL SIGNATURES COMPLETED



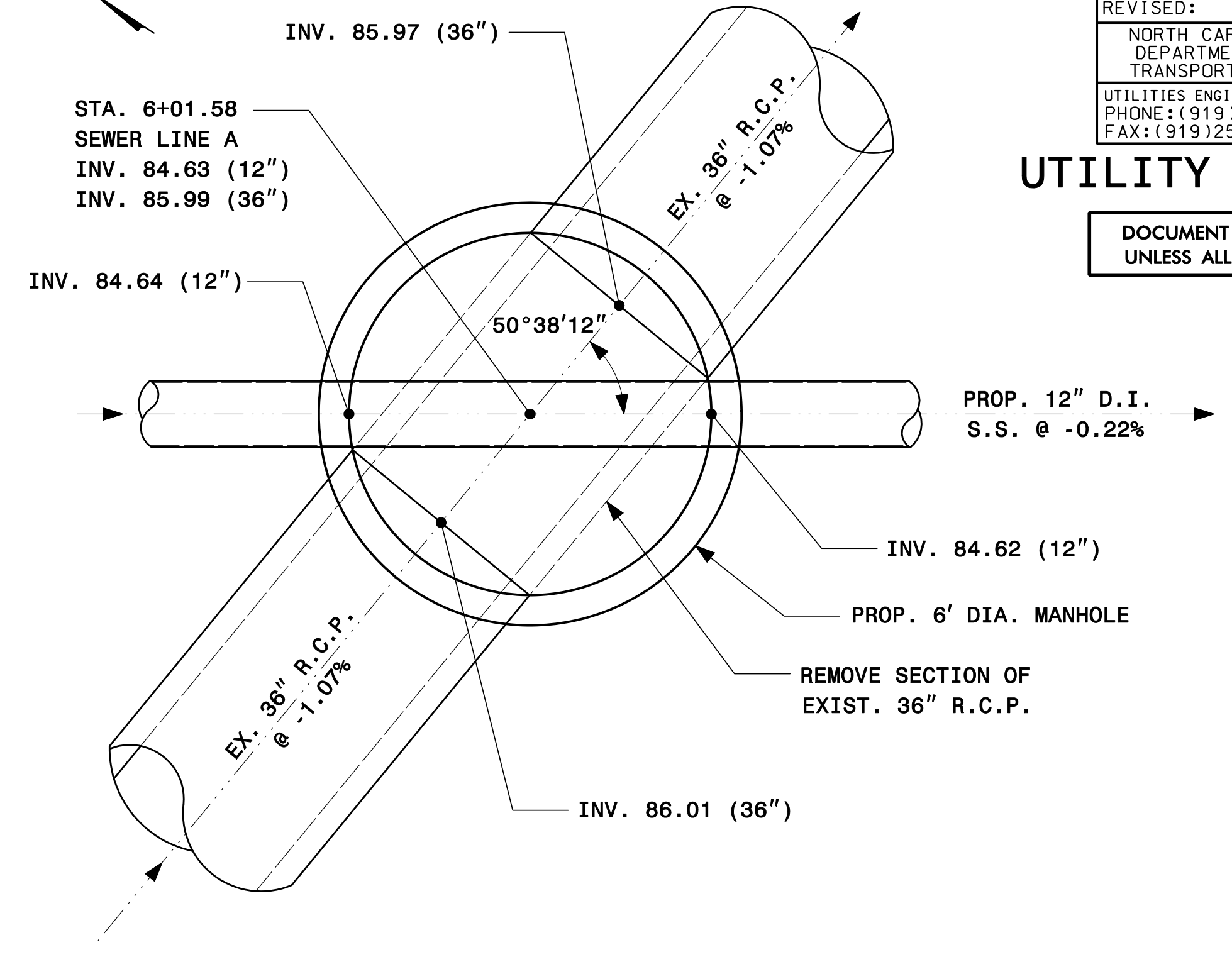
PLAN VIEW



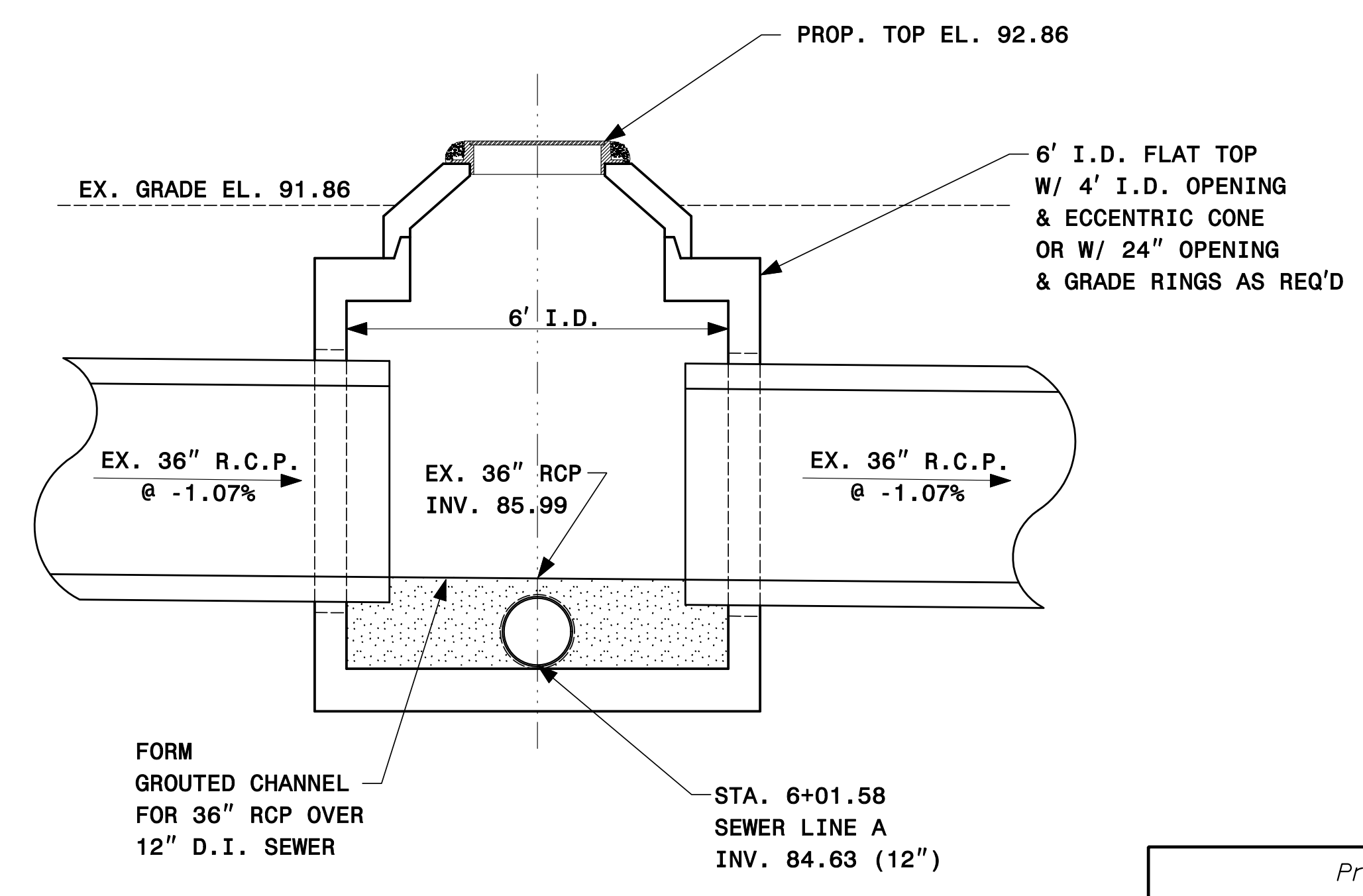
ELEVATION VIEW

PROPOSED CONFLICT BOX #2

(SEE PLAN SHEET UC-5
 PROFILE SHEET UC-17)



PLAN VIEW



ELEVATION VIEW

PROPOSED CONFLICT BOX #1

(SEE PLAN SHEET UC-13
 PROFILE SHEET UC-17)

Prepared by:
AECOM
 AECOM TECHNICAL SERVICES OF NORTH CAROLINA, INC.
 701 CORPORATE CENTER DRIVE, SUITE 475, RALEIGH, NC 27607
 919-854-6200 919-854-6259 (fax)
 F-0342

DATE: 2/22/2016
 TIME: 7:31:27 AM
 DRN: B4490_UF_peri_03.dgn