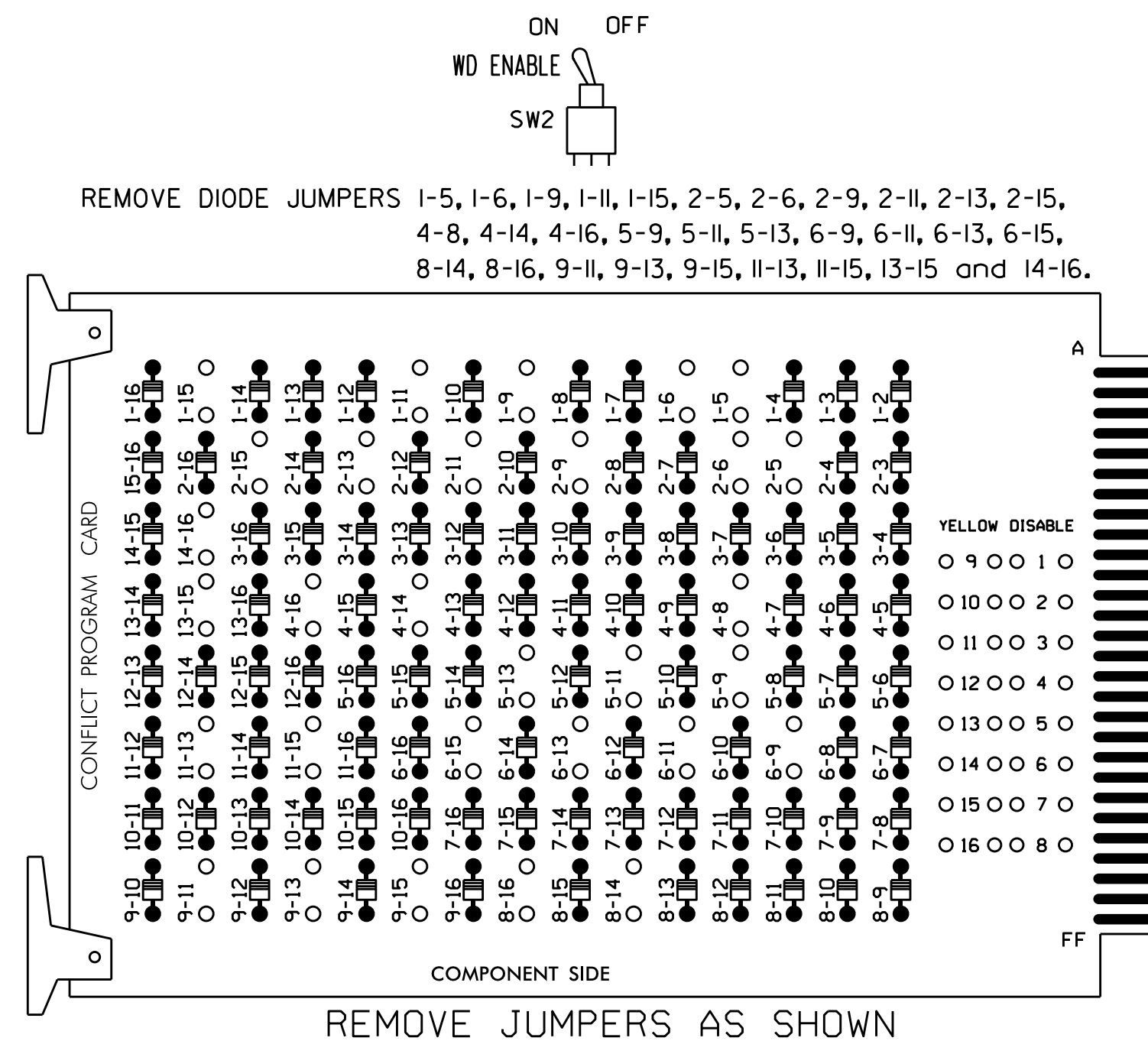


EDI MODEL 2010ECL-NC CONFLICT MONITOR PROGRAMMING DETAIL

(remove jumpers and set switches as shown)



NOTES:

- Card is provided with all diode jumpers in place. Removal of any jumper allows its channels to run concurrently.
- Make sure jumpers SEL2-SEL5 are present on the monitor board.

NOTES

- To prevent "flash-conflict" problems, insert red flash program blocks for all unused vehicle load switches in the output file. The installer shall verify that signal heads flash in accordance with the Signal Plans.
- Ensure that Red Enable is active at all times during normal operation. To prevent Red Failures on used monitor channels, tie unused red monitor inputs 1,3,5,7,10,12,13,14,15 & 16 to load switch AC+ per the cabinet manufacturer's instructions.
- Program phases 4 and 8 for Dual Entry.
- Enable Simultaneous Gap-Out for all phases.
- Program phases 2 and 6 for Start Up In Green.
- Program phases 2, 4, 6 and 8 for 'STARTUP PED CALL'.
- Program phases 2 and 6 for Yellow Flash, and Overlap 1 as Wag Overlaps.
- The cabinet and controller are part of the Fayetteville Signal System.

EQUIPMENT INFORMATION

CONTROLLER.....2070L
 CABINET.....332 W/AUX
 SOFTWARE.....ECONOLITE OASIS
 CABINET MOUNT.....BASE
 OUTPUT FILE POSITIONS...18 (12-STD; 6-AUX)
 LOAD SWITCHES USED.....S1,S2,S2P,S4,S4P,S5
 S6,S6P,S8,S8P,S9,S11
 PHASES USED.....1,2,2 PED,4,4 PED
 5,6,6 PED,8,8 PED
 OVERLAP 'A'.....1+2
 OVERLAP 'B'.....NOT USED
 OVERLAP 'C'.....5+6
 OVERLAP 'D'.....NOT USED

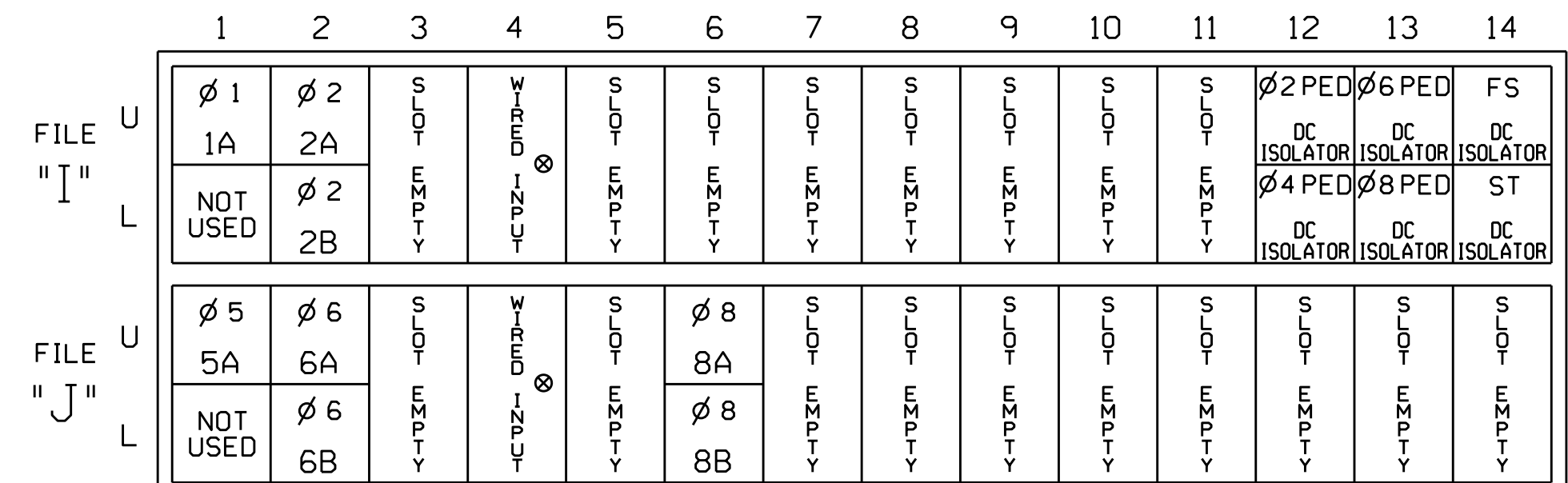
SIGNAL HEAD HOOK-UP CHART

LOAD SWITCH NO.	S1	S2	S2P	S3	S4	S4P	S5	S6	S6P	S7	S8	S8P	S9	S10	S11	S12	S13	S14
PHASE	1	2	2 PED	3	4	4 PED	5	6	6 PED	7	8	8 PED	9	10	11	12	13	14
SIGNAL HEAD NO.	11*	21,22	P21, P22	NU	41,42	P41, P42	51*	61,62	P61, P62	NU	81,82	P81, P82	11*	NU	NU	51*	NU	NU
GREEN		130			103			136			109							
YELLOW	*	129			102		*	135			108							
RED		128			101			134			107							
RED ARROW																A121		A114
YELLOW ARROW																A122		A115
FLASHING YELLOW ARROW																A123		A116
GREEN ARROW	127							133										
Hand							113		104			119						110
Walking							115		106			121						112

NU = Not Used
 * Denotes install load resistor. See Load Resistor Installation Detail this sheet.
 * See pictorial of head wiring on this sheet.

INPUT FILE POSITION LAYOUT

(front view)

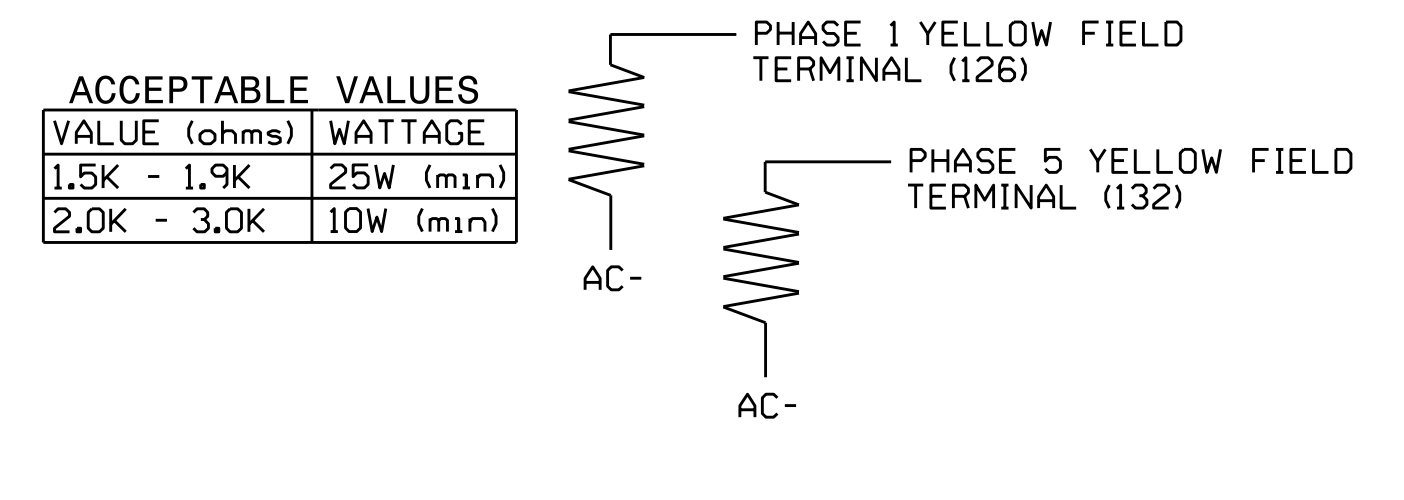


EX.: 1A, 2A, ETC. = LOOP NO.'S
 FS = FLASH SENSE
 ST = STOP TIME
 * Wired Input - Do not populate slot with detector card

SPECIAL DETECTOR NOTE

Install a video detection system for vehicle detection for 4A. Perform installation according to manufacturer's directions and NCDOT engineer-approved mounting locations to accomplish the detection schemes shown on the Signal Design Plans.

LOAD RESISTOR INSTALLATION DETAIL



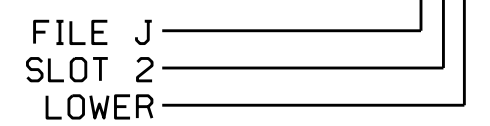
INPUT FILE CONNECTION & PROGRAMMING CHART

LOOP NO.	LOOP TERMINAL	INPUT FILE POS.	PIN NO.	INPUT ASSIGNMENT NO.	DETECTOR NO.	NEMA PHASE	CALL	EXTEND	FULL TIME DELAY	STRETCH TIME	DELAY TIME
1A ¹	TB2-1,2	I1U	56	18	1	1	Y	Y			15
	-	J4U	48	10	26	6	Y	Y			
2A	TB2-5,6	I2U	39	1	2	2	Y	Y			
	TB2-7,8	I2L	43	5	12	2	Y	Y			
5A ²	TB3-1,2	J1U	55	17	5	5	Y	Y			15
	-	I4U	47	9	22	2	Y	Y			
6A	TB3-5,6	J2U	40	2	6	6	Y	Y			
6B	TB3-7,8	J2L	44	6	16	6	Y	Y			
8A	TB5-9,10	J6U	42	4	8	8	Y	Y			3
8B	TB5-11,12	J6L	46	8	18	8	Y	Y			10
PED PUSH BUTTONS											
P21,P22	TB8-4,6	I12U	67	29	PED 2	2	PED				
P41,P42	TB8-5,6	I12L	69	31	PED 4	4	PED				
P61,P62	TB8-7,9	I13U	68	30	PED 6	6	PED				
P81,P82	TB8-8,9	I13L	70	32	PED 8	8	PED				

NOTE:
 INSTALL DC ISOLATORS IN INPUT FILE SLOTS 112 AND 113.

- Add jumper from I1-W to J4-W, on rear of input file.
- Add jumper from J1-W to I4-W, on rear of input file.

INPUT FILE POSITION LEGEND: J2L

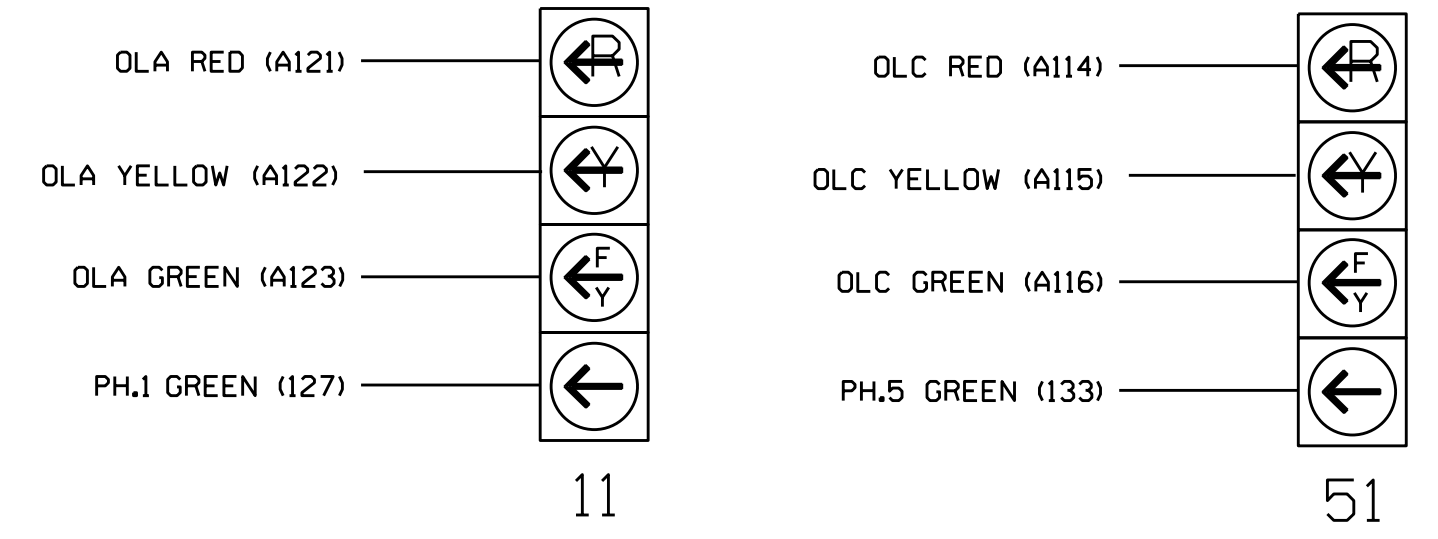


COUNTDOWN PEDESTRIAN SIGNAL OPERATION

Countdown Ped Signals are required to display timing only during Ped Clearance Interval. Consult Ped Signal Module user's manual for instructions on selecting this feature.

FYA SIGNAL WIRING DETAIL

(wire signal heads as shown)



NOTE:
 The display sequence for these signals require special logic programming. See sheet 2 for programming instructions.

THIS ELECTRICAL DETAIL IS FOR THE SIGNAL DESIGN: 06-1210
 DESIGNED: July 2015
 SEALED: 8/27/15
 REVISED: N/A

Electrical Detail - Sheet 1 of 2 - Final

ELECTRICAL AND PROGRAMMING DETAILS FOR:		SR 3828 (Bragg Boulevard) at Walter Street	
Prepared In the Offices of:	Division 6	Cumberland County	Fayetteville
	PLAN DATE:	July 2015	REVIEWED BY:
	PREPARED BY:	B. Simmons	REVIEWED BY:
REVISIONS		INIT.	DATE
750 N. Greenfield Pkwy, Garner, NC 27529		DocuSigned by: George C. Brown 8/31/2015 F1201E00B644 DATE	

SIG. INVENTORY NO. 06-1210

08-AUG-2015 10:58
 S:\TSS\15\Sig. Management\Working Folder\Electrical Detail\061210_Sig.ele_xxx.dgn
 B. Simmons