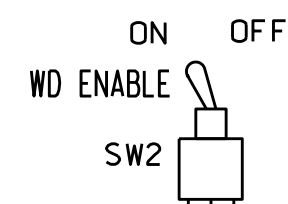
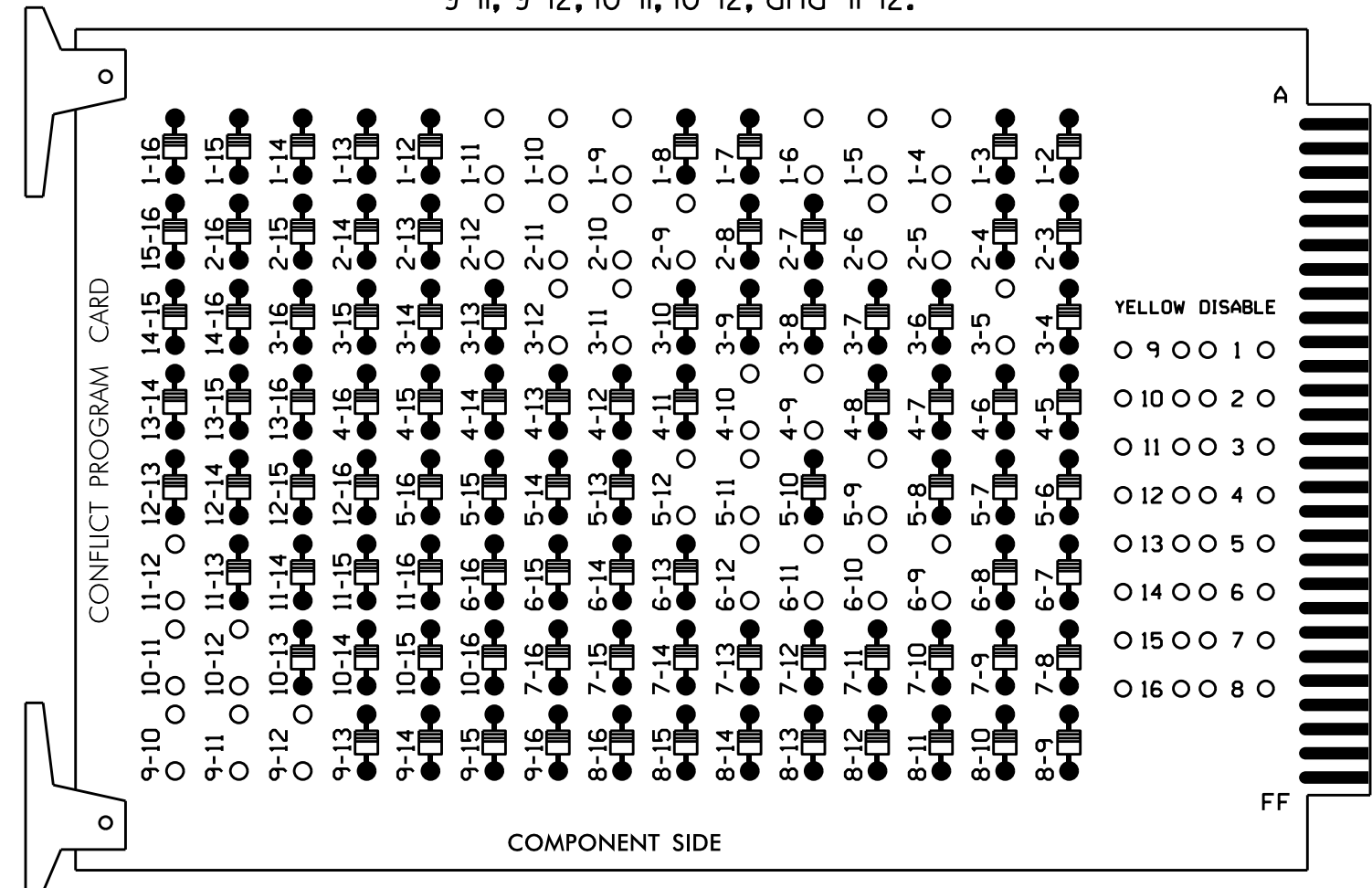


**EDI MODEL 2010ECL-NC CONFLICT MONITOR
PROGRAMMING DETAIL**



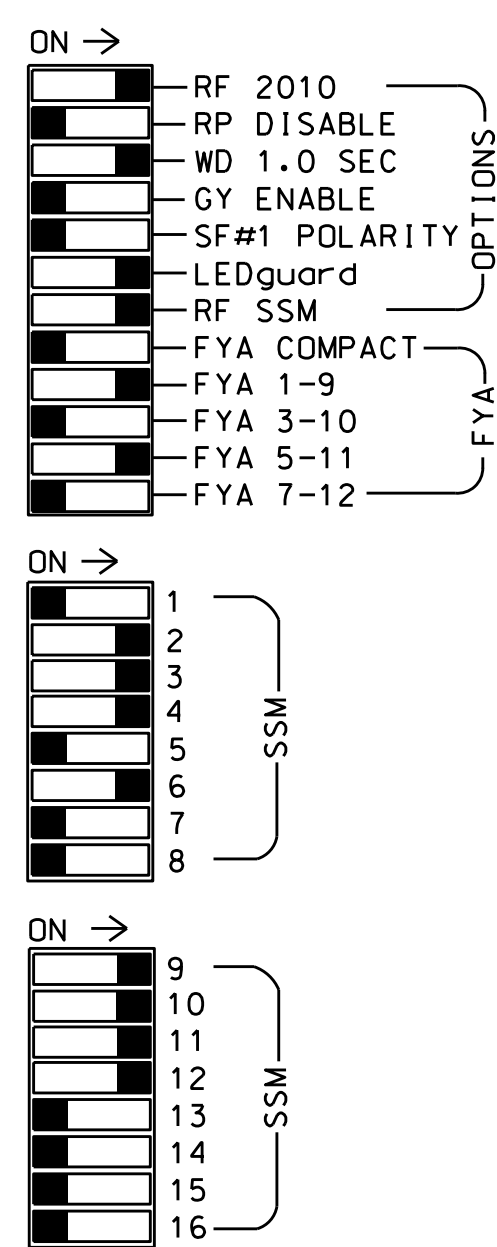
(remove jumpers and set switches as shown)

REMOVE DIODE JUMPERS 1-4, 1-5, 1-6, 1-9, 1-10, 1-11, 2-5, 2-6, 2-9, 2-10, 2-11, 2-12, 3-5, 3-11, 3-12, 4-9, 4-10, 5-9, 5-11, 5-12, 6-9, 6-10, 6-11, 6-12, 9-10, 9-11, 9-12, 10-11, 10-12, and 11-12.



NOTES:

- Card is provided with all diode jumpers in place. Removal of any jumper allows its channels to run concurrently.
- Make sure jumpers SEL2-SEL5 are present on the monitor board.



INPUT FILE POSITION LAYOUT

(front view)

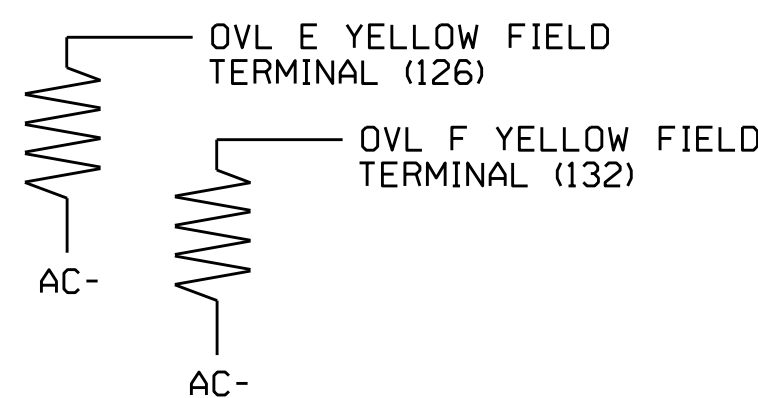
FILE "I"	1	2	3	4	5	6	7	8	9	10	11	12	13	14	
	∅ 1 1A	∅ 2 2A,2B	∅ 2 2E,2F	∅ 3 3A	∅ 3 3B	∅ 4 4B	∅ 4 4A	∅ 4 4C	SYS. DET. S2A	SYS. DET. S2B	SYS. DET. S2C	SYS. DET. S2D	SYS. DET. S2E	SYS. DET. S2F	FS DC ISOLATOR
FILE "J"	∅ 5 5A	∅ 6 6A,6B	∅ 6 6E,6F	∅ 7 7A	∅ 7 7B	∅ 8 8A	∅ 8 8B	∅ 9 9A	SYS. DET. S6A	SYS. DET. S6B	SYS. DET. S6C	SYS. DET. S6D	SYS. DET. S6E	SYS. DET. S6F	FS DC ISOLATOR
	NOT USED	∅ 2 2C,2D	NOT USED	NOT USED	∅ 4 4A	∅ 4 4C	∅ 4 4C	∅ 4 4C	SYS. DET. S6A	SYS. DET. S6B	SYS. DET. S6C	SYS. DET. S6D	SYS. DET. S6E	SYS. DET. S6F	FS DC ISOLATOR

EX.: 1A, 2A, ETC. = LOOP NO.'S
FS = FLASH SENSE
ST = STOP TIME

LOAD RESISTOR INSTALLATION DETAIL

(install resistors as shown below)

VALUE (ohms)	WATTAGE
1.5K - 1.9K	25W (min)
2.0K - 3.0K	10W (min)



NOTES

- To prevent "flash-conflict" problems, insert red flash program blocks for all unused vehicle load switches in the output file. The installer shall verify that signal heads flash in accordance with the Signal Plans.
- Ensure that Red Enable is active at all times during normal operation. To prevent Red Failures on unused monitor channels, tie unused red monitor inputs 1,5, 7,8,13,14,15 & 16 to load switch AC+ per the cabinet manufacturer's instructions.
- Enable Simultaneous Gap-Out for all phases.
- Program phases 2 and 6 for Start Up In Green.
- Program phases 2 and 6 for Yellow Flash, and overlaps 1 and 2 as Wag Overlaps.
- The cabinet and controller are part of the Fayetteville City System.

EQUIPMENT INFORMATION

CONTROLLER.....2070
CABINET.....332 W/ AUX
SOFTWARE.....ECONOLITE OASIS
CABINET MOUNT.....BASE
OUTPUT FILE POSITIONS...18 WITH AUX. OUTPUT FILE
LOAD SWITCHES USED.....S1,S2,S3,S4,S5,S6,S9,S10,S12,S13
PHASES USED.....1,2,3,4,5,6
OVERLAP "A".....1+2+4
OVERLAP "B".....4+6
OVERLAP "C".....3+5+6
OVERLAP "D".....2+3
OVERLAP "E".....1+4
OVERLAP "F".....3+5

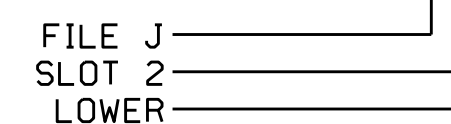
INPUT FILE CONNECTION & PROGRAMMING CHART

LOOP NO.	LOOP TERMINAL	INPUT FILE POS.	PIN NO.	INPUT ASSIGNMENT NO.	DETECTOR NO.	NEMA PHASE	CALL	EXTEND	FULL TIME DELAY	STRETCH TIME	DELAY TIME
1A ¹	TB2-1,2	I1U	56	18	1	1	Y	Y			15
	-	J4U	48	10	26	6	Y	Y			
2A,2B	TB2-5,6	I2U	39	1	2	2	Y	Y			
2C,2D	TB2-7,8	I2L	43	5	12	2	Y	Y			
2E,2F,2G	TB2-9,10	I3U	63	25	32	2	Y	Y			
3A	TB4-5,6	I5U	58	20	3	3	Y	Y			
3B	TB4-9,10	I6U	41	3	4	3	Y	Y			15
4A	TB4-11,12	I6L	45	7	14	4	Y	Y			
4B	TB6-1,2	I7U	65	27	34	4	Y	Y			
4C	TB6-3,4	I7L	78	40	44	4	Y	Y			15
5A ²	TB3-1,2	J1U	55	17	5	5	Y	Y			15
	-	I4U	47	9	22	2	Y	Y			
6A,6B	TB3-5,6	J2U	40	2	6	6	Y	Y			
6C,6D	TB3-7,8	J2L	44	6	16	6	Y	Y			
6E,6F,6G	TB3-9,10	J3U	64	26	36	6	Y	Y			
* S2A	TB6-9,10	I9U	60	22	11	SYS					
* S2B	TB6-11,12	I9L	62	24	13	SYS					
* S2C	TB7-1,2	J7U	66	28	38	SYS					
* S6A	TB7-3,4	J7L	79	41	48	SYS					
* S6B	TB7-9,10	J9U	59	21	15	SYS					
* S6C	TB7-11,12	J9L	61	23	17	SYS					

- Add jumper from I1-W to J4-W, on rear of input file.
- Add jumper from J1-W to I4-W, on rear of input file.

* System detector only. Remove the vehicle phase assigned to this detector in the default programming.

INPUT FILE POSITION LEGEND: J2L



SIGNAL HEAD HOOK-UP CHART

LOAD SWITCH NO.	S1	S2	S2P	S3	S4	S4P	S5	S6	S6P	S7	S8	S8P	S9	S10	S11	S12	S13	S14
PHASE	OLE	2	2 PED	3	4	4 PED	5	6	6 PED	7	8	8 PED	9	10	11	12	13	14
SIGNAL HEAD NO.	11	24,25 26	NU	31,32 33	41,42	43	44	51	64,65 66	NU	NU	NU	11	61,62 63	NU	51	21,22 23	NU
RED		128		116	101	101			134					A124			A101	
YELLOW	*	129		117		102		*	135					A125			A102	
GREEN		130		118		103			136					A126			A103	
RED ARROW					101									A121			A114	
YELLOW ARROW					102	102								A122			A115	
FLASHING YELLOW ARROW														A123			A116	
GREEN ARROW	127				103	103			133									

NU = Not Used

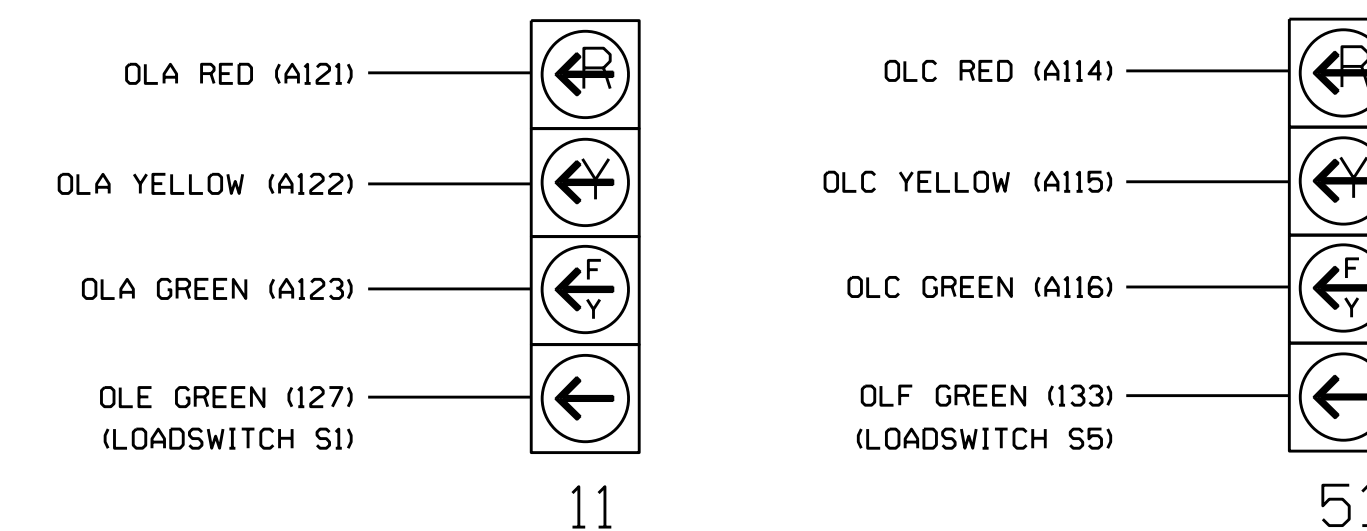
* Denotes install load resistor. See load resistor installation detail this sheet.

★ See pictorial of head wiring in detail below.

NOTE: see sheet 3 for Output Remapping Details for loadswitches S1 and S5.

FYA SIGNAL WIRING DETAIL

(wire signal heads as shown)



NOTE

The sequence display for signal heads 11 and 51 requires special logic programming. See sheet 2 for programming instructions.

THIS ELECTRICAL DETAIL IS FOR THE SIGNAL DESIGN: 06-0244
DESIGNED: July 2015
SEALED: 8/25/15
REVISED: N/A

Signal Upgrade - Sheet 1 of 3

ELECTRICAL AND PROGRAMMING DETAILS FOR: Prepared In the Offices of: 750 N. Greenfield Pkwy, Garner, NC 27529	NC 24 (Bragg Boulevard) at US 401 Bus. NC 87 (MLK Freeway) Ramps		SEAL GEORGE C. BROWN ENGINEER
	Division 6 PLAN DATE: July 2015 PREPARED BY: B. SIMMONS	Cumberland County REVIEWED BY: REVIEWED BY:	