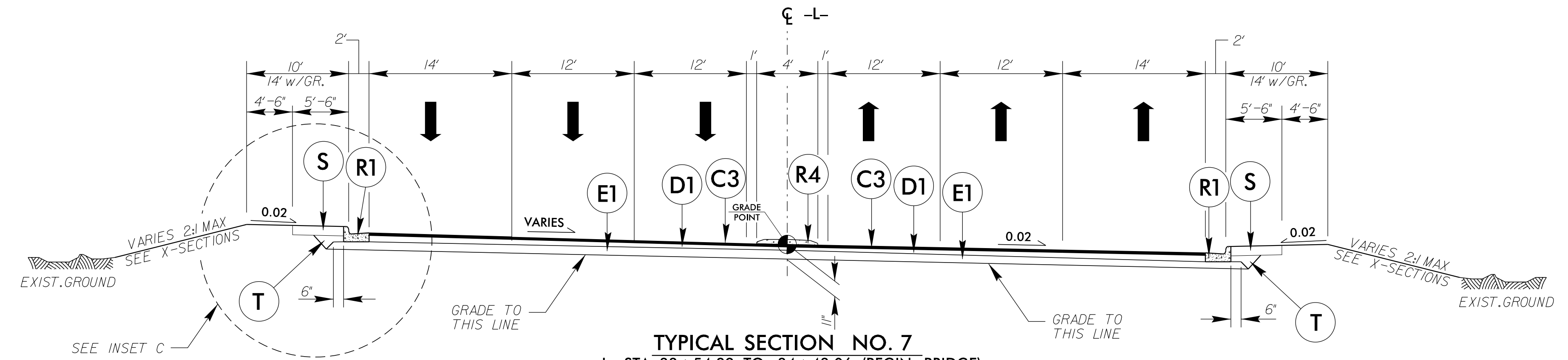
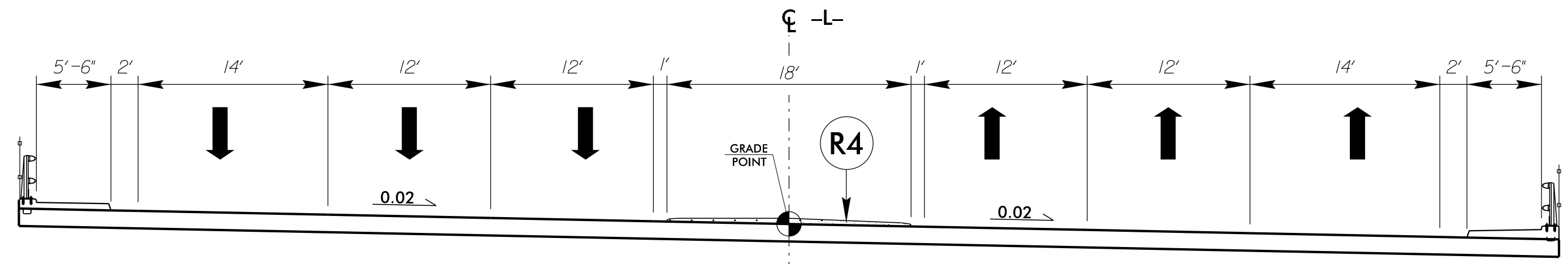
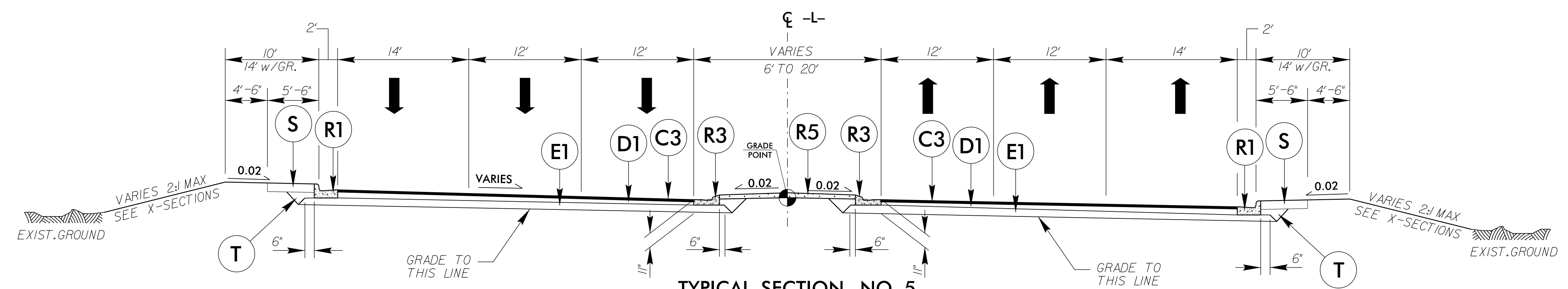
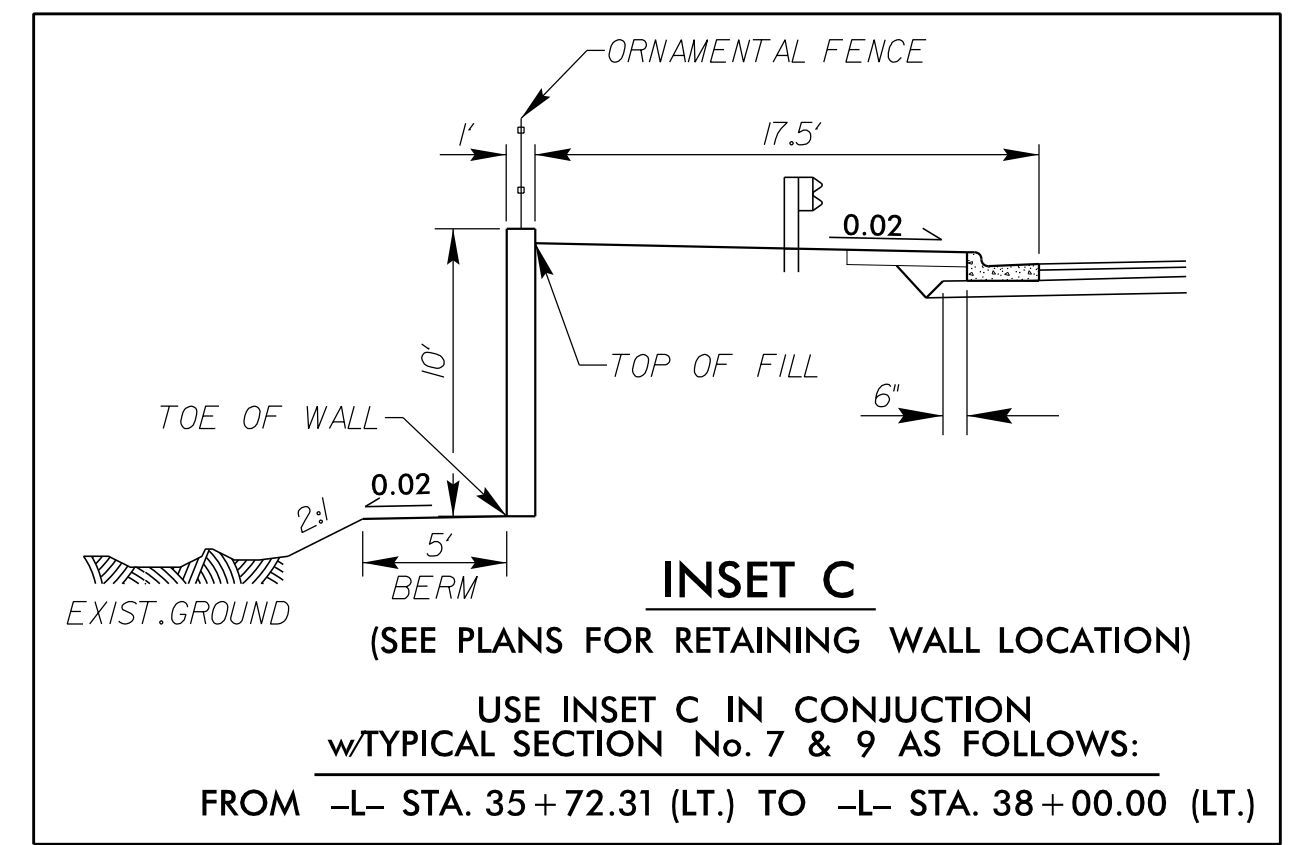
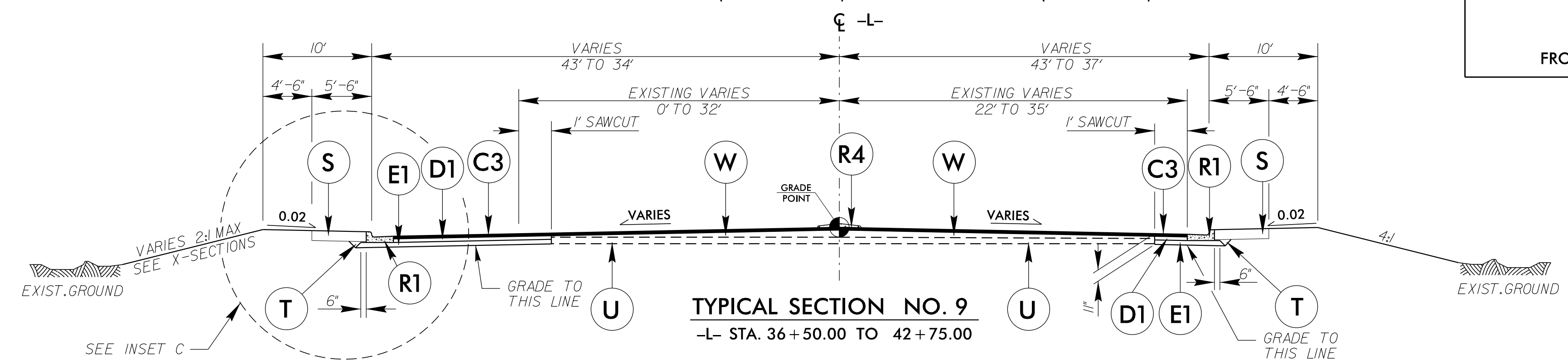
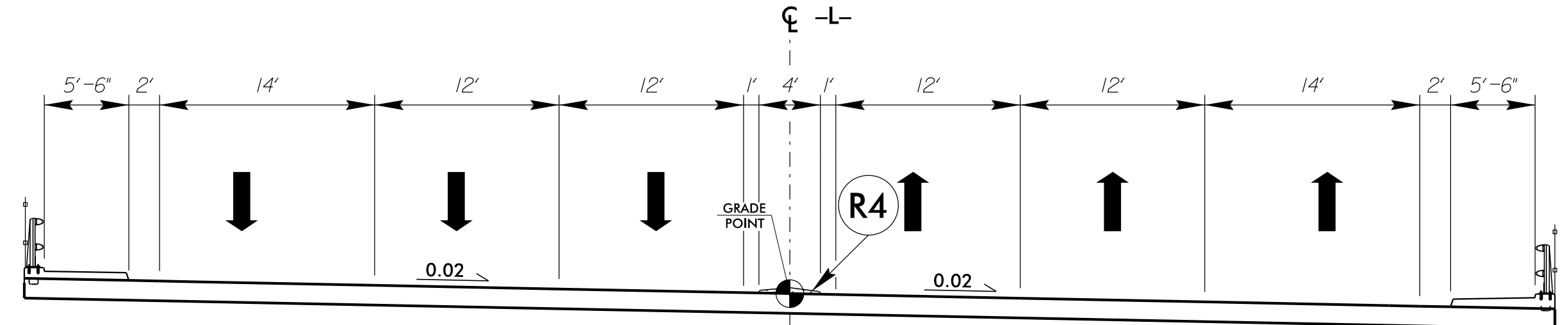


6/2/2016

PAVEMENT SCHEDULE	
C1	1.5" TYPE S9.5B
C2	2" TYPE S9.5B
C3	3" TYPE S9.5B
C4	VAR. DEPTH TYPE S9.5B
D1	4" I19.0B
D2	VAR. DEPTH I19.0B
E1	4" TYPE B25.0B
E2	5 1/2" TYPE B25.0B
E3	VAR. DEPTH TYPE B25.0B
R1	2'-6" CONCRETE C&G
R2	1'-6" CONCRETE C&G
R3	2'-9" CONCRETE C&G
R4	5" MONOLITHIC STAMPED CONCRETE ISLAND
R5	4" STAMPED CONC. ISLAND COVER
S	4" CONCRETE SIDEWALK
T	EARTH MATERIAL
U	EXISTING PAVEMENT
V1	1.5" MILLING ASPHALT PAVEMENT
V2	3" MILLING ASPHALT PAVEMENT
W	WEDGING DETAIL



* TRANSITION FROM TYPICAL SECTION 7 TO TYPICAL SECTION 9 FROM -L- STA. 36+00.00 TO 36+50.00



PROJECT REFERENCE NO. B-4490	SHEET NO. 2A-3
ROADWAY DESIGN ENGINEER TIMOTHY SCOTT SEAL 19563 NORTH CAROLINA PROFESSIONAL ENGINEER	PAVEMENT DESIGN ENGINEER CLARK S. MORRISON SEAL 022896 NORTH CAROLINA PROFESSIONAL ENGINEER
DOCUMENT NOT CONSIDERED FINAL UNLESS ALL SIGNATURES COMPLETED	
PLANS PREPARED BY: PARSONS BRINCKERHOFF 434 FAYETTEVILLE STREET SUITE 1500 RALEIGH, NC 27601 LICENSE NO. E-0165	

4:33:11 PM
B:\4490\RD\typ.dgn
3/10/2016