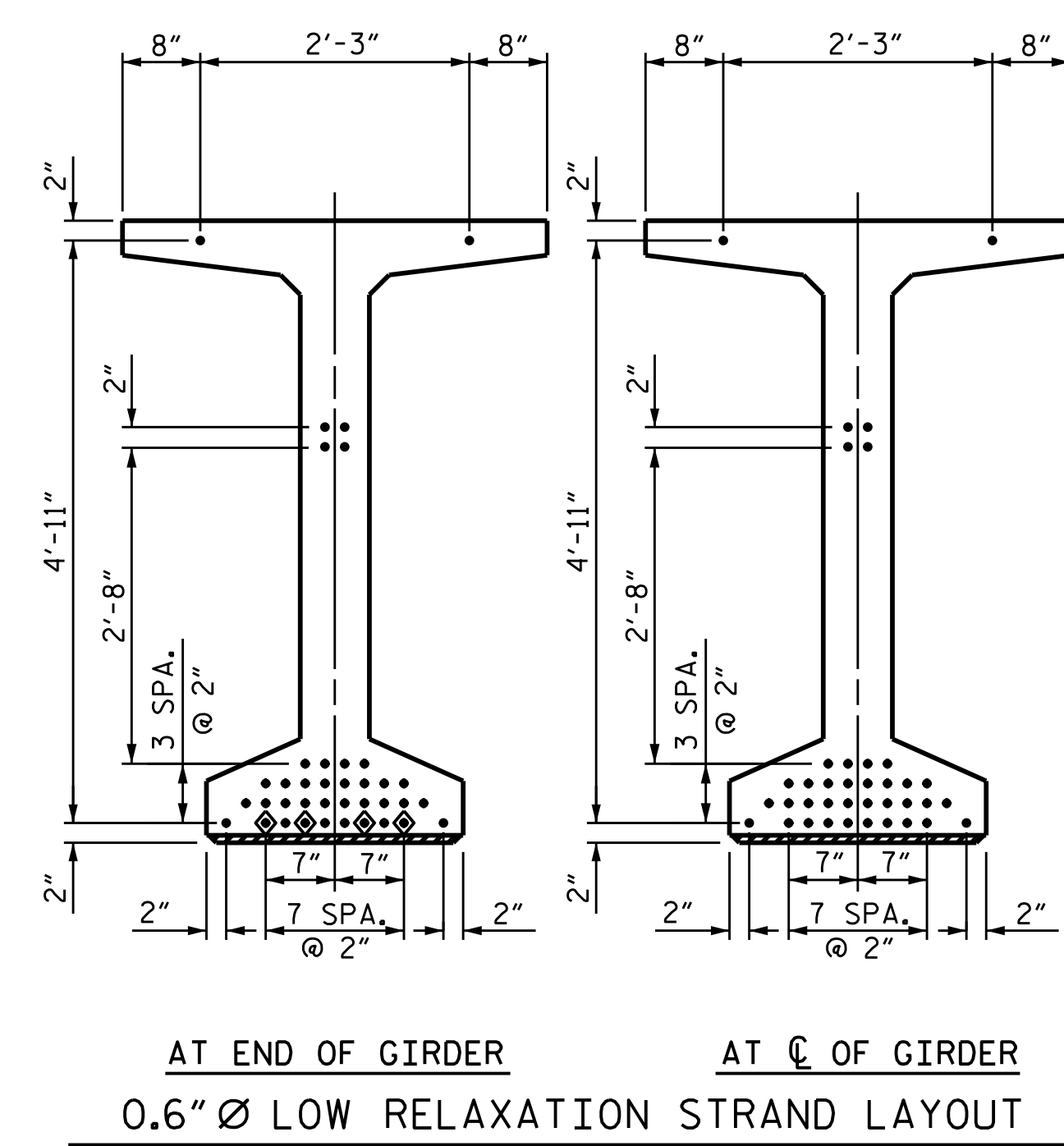
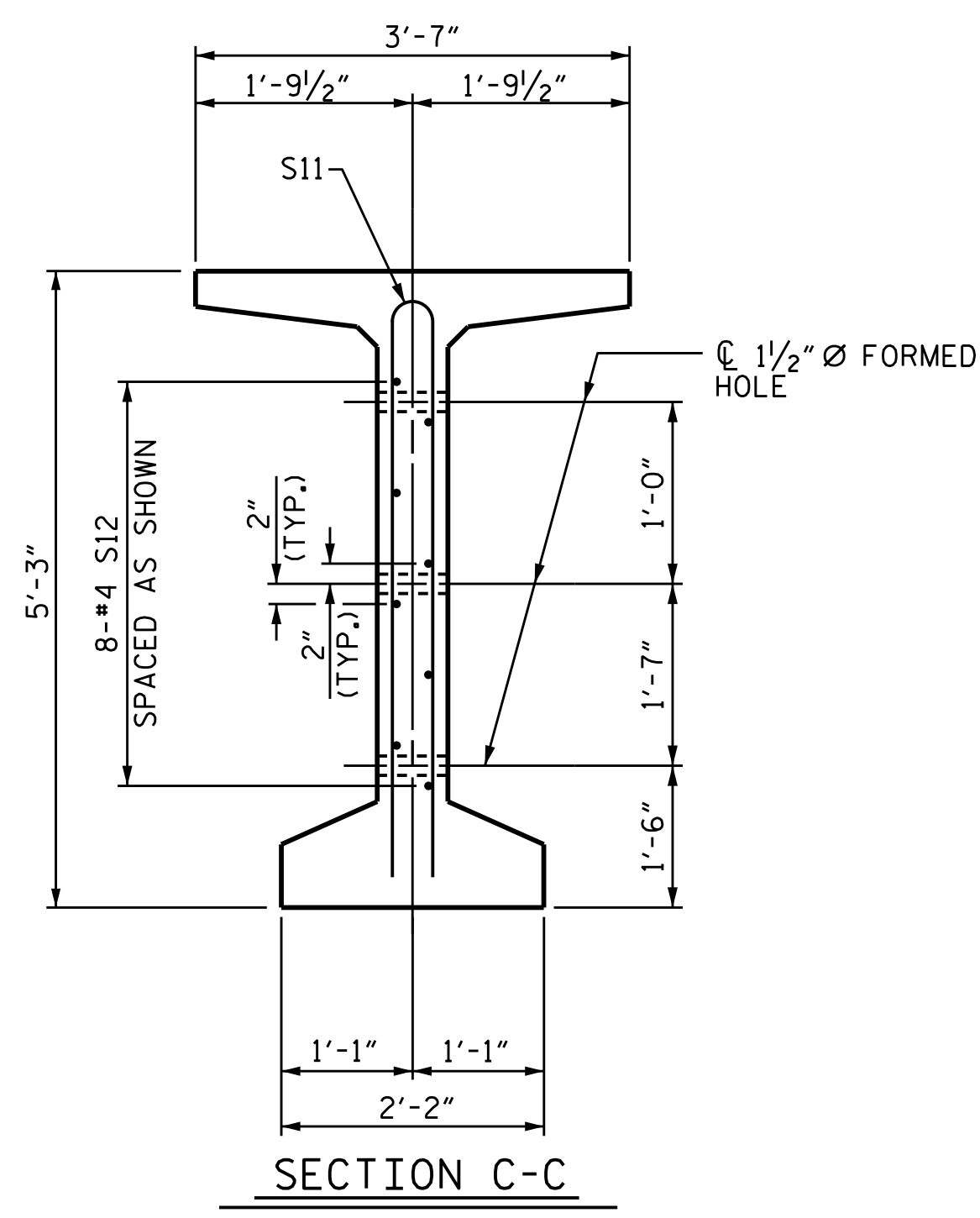


* FOR S7 BARS, SEE
DETAIL "C" OF
PRESTRESSED
CONCRETE GIRDER
CONTINUOUS FOR LIVE
LOAD DETAILS SHEET



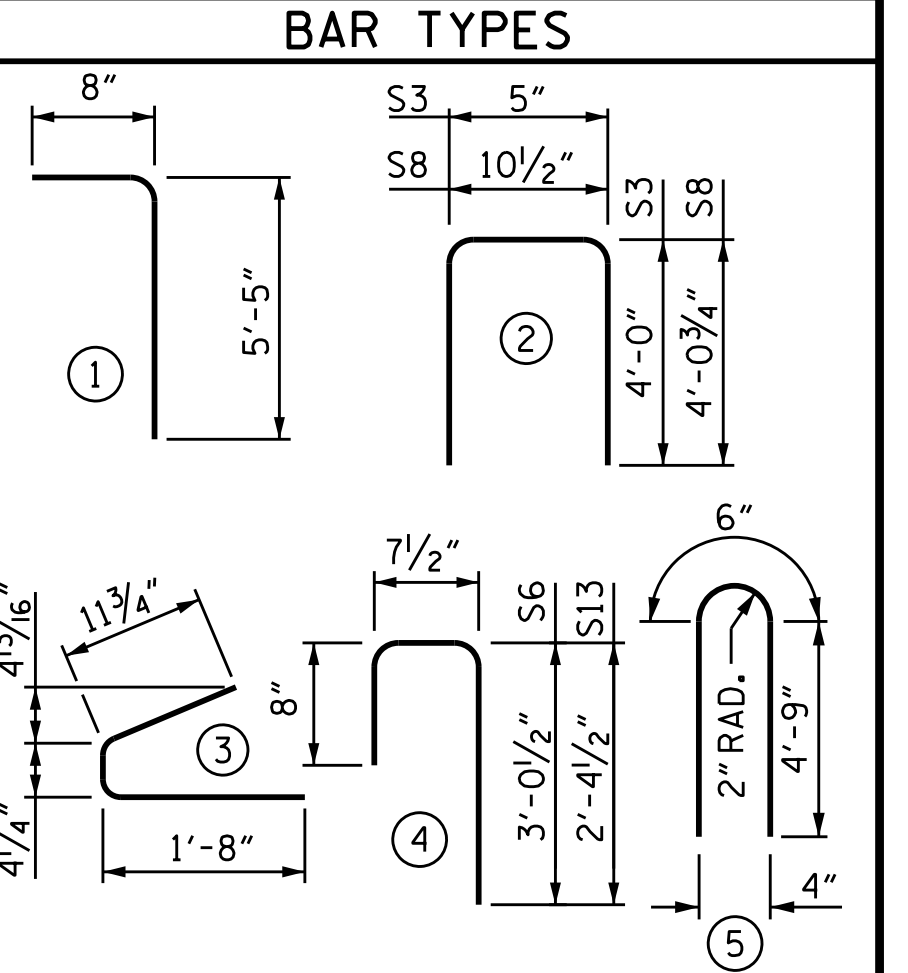
AT END OF GIRDER AT C OF GIRDER
0.6" Ø LOW RELAXATION STRAND LAYOUT

DEBONDING LEGEND
● FULLY BONDED STRANDS
◊ STRANDS DEBONDED FOR 12'-0" FROM END OF GIRDER

0.6" Ø L. R. GRADE 270 STRANDS		
AREA (SQUARE INCHES)	ULTIMATE STRENGTH (LBS. PER STRAND)	APPLIED PRESTRESS (LBS. PER STRAND)
0.217	58,600	43,950

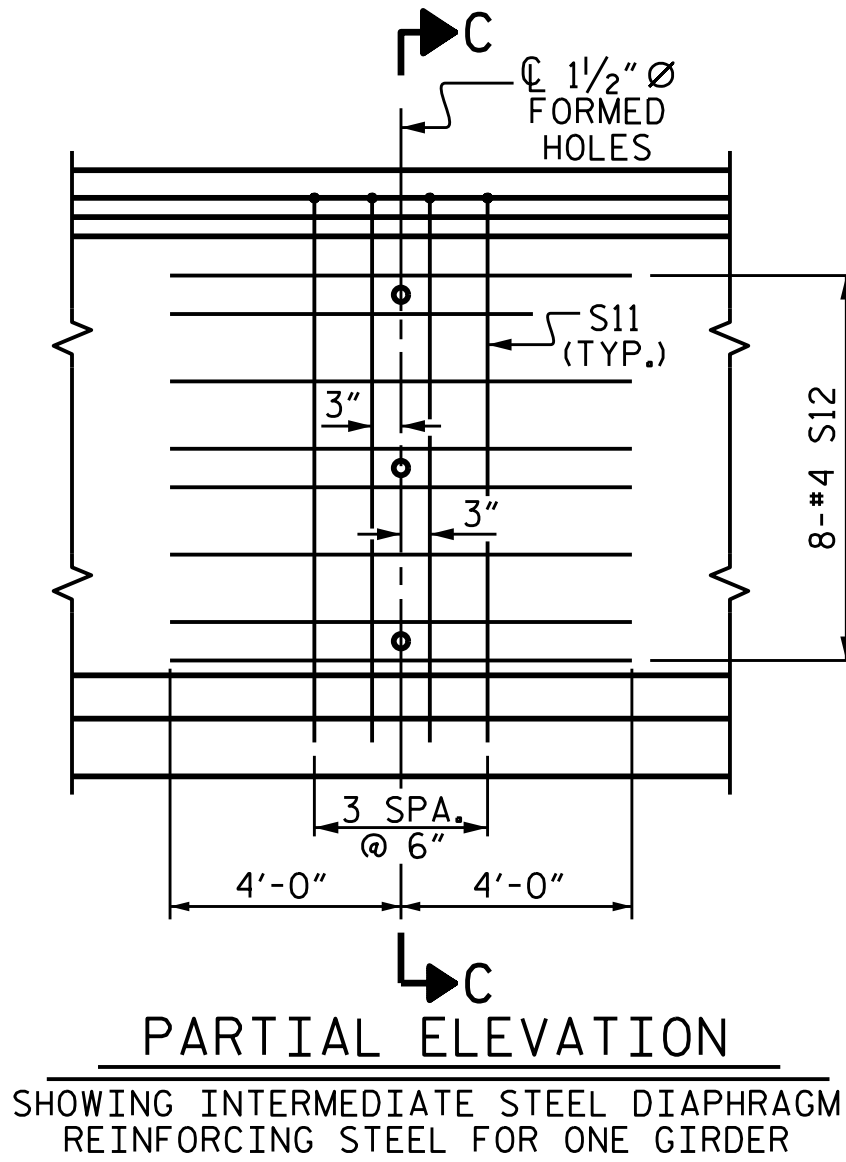
REINFORCING STEEL FOR ONE GDR					
BAR	NUMBER	SIZE	TYPE	LENGTH	WEIGHT
S1	154	#4	1	6'-1"	626
S2	24	#6	1	6'-1"	219
S3	12	#4	2	8'-5"	67
S4	72	#4	3	3'-0"	144
S6	176	#5	4	4'-4"	795
* S7	30	#5	STR	3'-8"	115
S8	2	#5	2	9'-0"	19
S9	30	#5	STR	3'-3"	102
S10	2	#3	STR	1'-10"	1
S11	8	#5	5	10'-0"	83
S12	16	#4	STR	8'-0"	86
S13	2	#5	4	3'-8"	8

* NOTE: S7 BARS SHALL BE BENT BEFORE SHIPMENT. HEAT BENDING SHALL NOT BE ALLOWED.

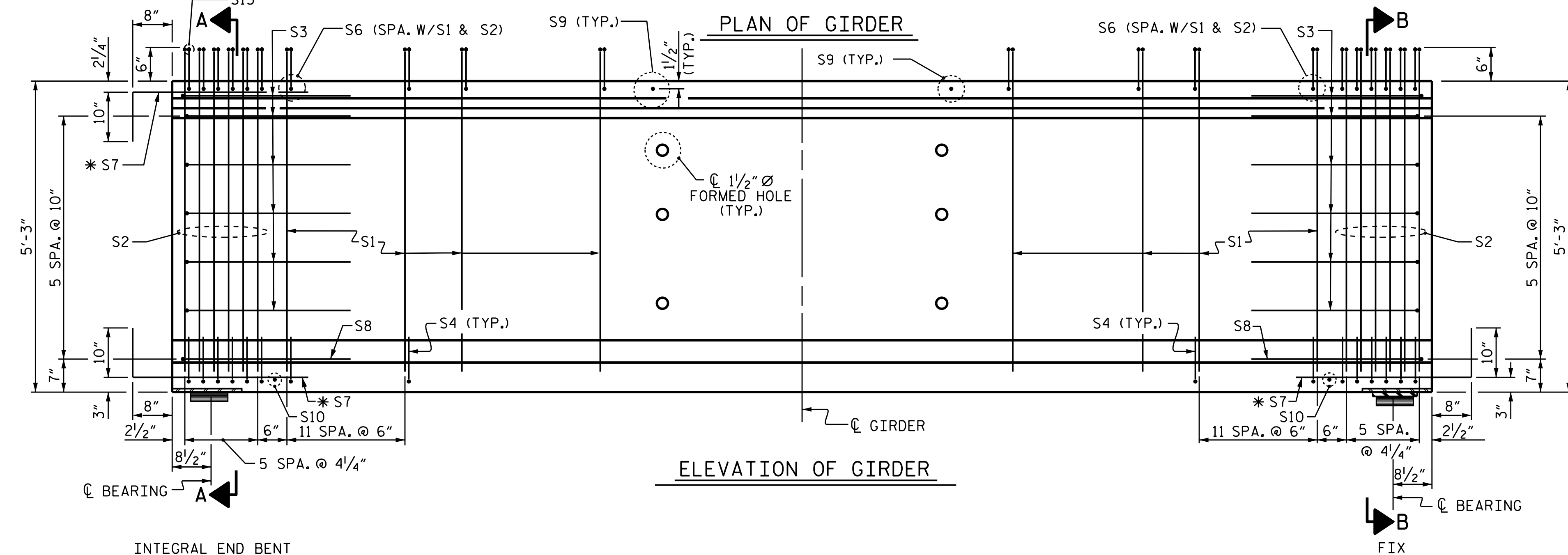
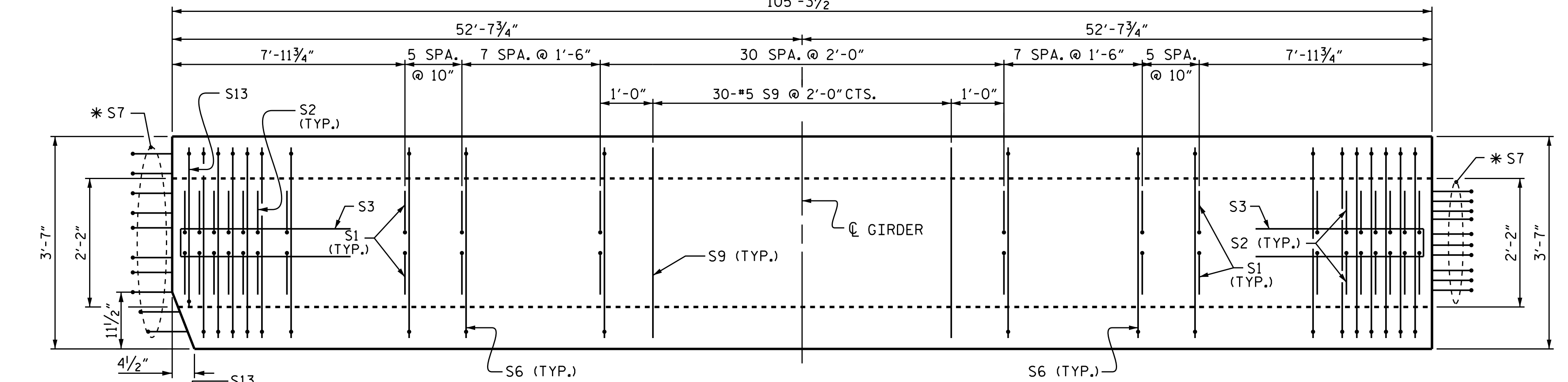


ALL BAR DIMENSIONS ARE OUT-TO-OUT.

QUANTITIES FOR ONE GIRDER			
	REINFORCING STEEL	8,500 PSI CONCRETE	0.6" Ø L.R. STRANDS
	LB.	C.Y.	No.
	2,265	20.9	38
GIRDERS REQUIRED			
NUMBER	LENGTH	TOTAL LENGTH	
7	105'-3 1/2"	737'-0 1/2"	



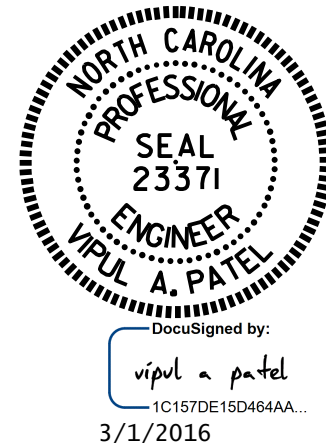
PARTIAL ELEVATION
SHOWING INTERMEDIATE STEEL DIAPHRAGM
REINFORCING STEEL FOR ONE GIRDER



ASSEMBLED BY : T. H. CARROLL DATE : 10/29/15
CHECKED BY : H.A. LOCKLEAR DATE : 11/1/15
DRAWN BY : EEM 2/6/97 REV. 10/1/11 MAA/GM DESIGN ENGINEER OF RECORD:
CHECKED BY : VAP 2/6/97 REV. 6/13 MAA/GM H.A. LOCKLEAR DATE : 2229/16
REV. 1/15 MAA/TMG

01-MAR-2016 10:56
R:\Structures\Plans\Str02\B5123.SD.G*02.dgn
ndaluto

DOCUMENT NOT CONSIDERED
FINAL UNLESS ALL
SIGNATURES COMPLETED



PROJECT NO. B-5123
CABARRUS COUNTY
STATION: 21+44.10 -L-

SHEET 1 OF 3

REVISIONS					SHEET NO.
NO.	BY:	DATE:	NO.	BY:	DATE:
1			3		
2			4		

STATE OF NORTH CAROLINA
DEPARTMENT OF TRANSPORTATION
RALEIGH
STANDARD
63" PRESTRESSED CONCRETE
MODIFIED BULB TEE
CONTINUOUS FOR LIVE LOAD
SPAN A
(RIGHT LANE)

REVISIONS					SHEET NO.
NO.	BY:	DATE:	NO.	BY:	DATE:
1			3		
2			4		

TOTAL SHEETS 74

STR. #2 STD. NO. PCG7