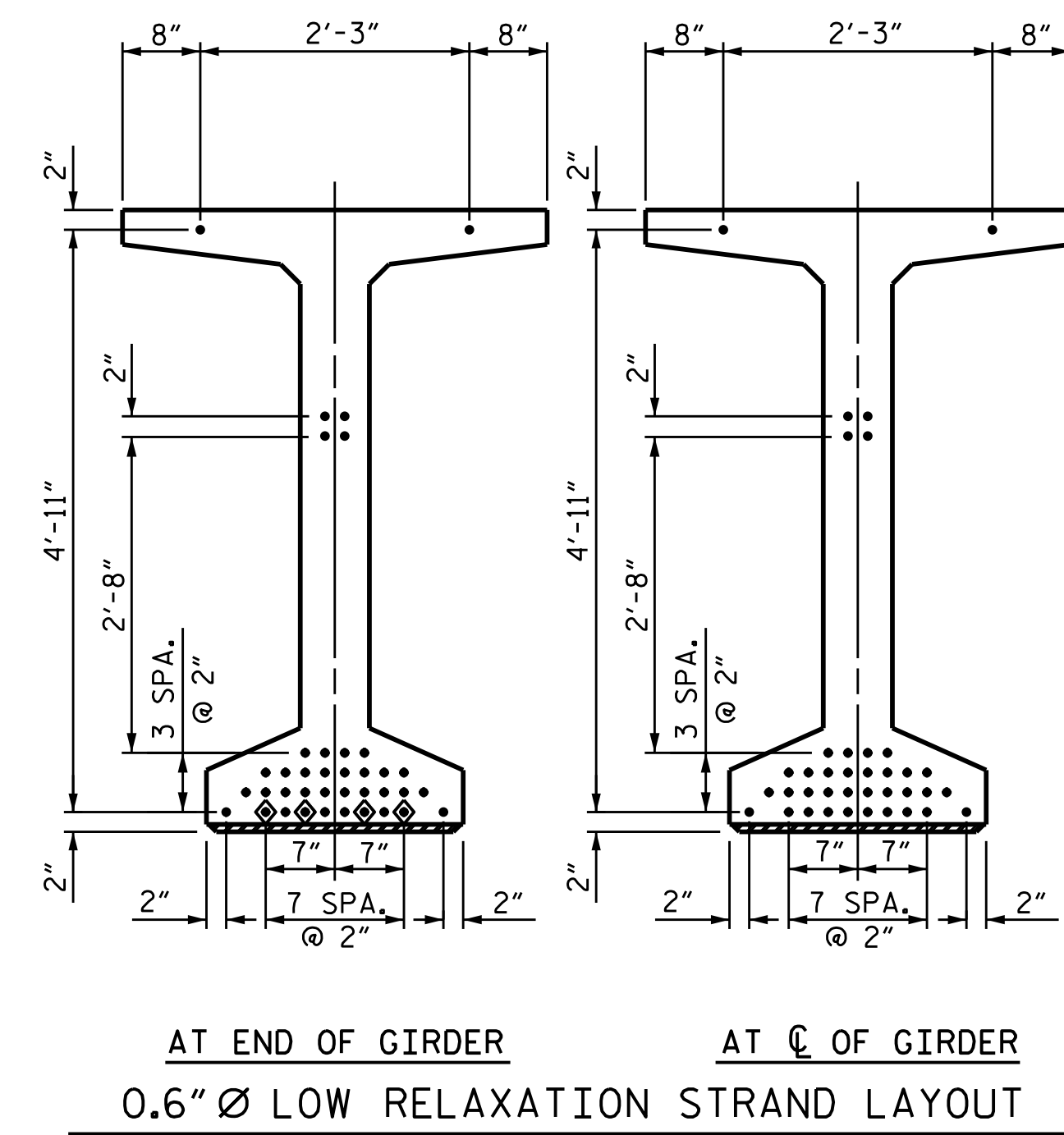
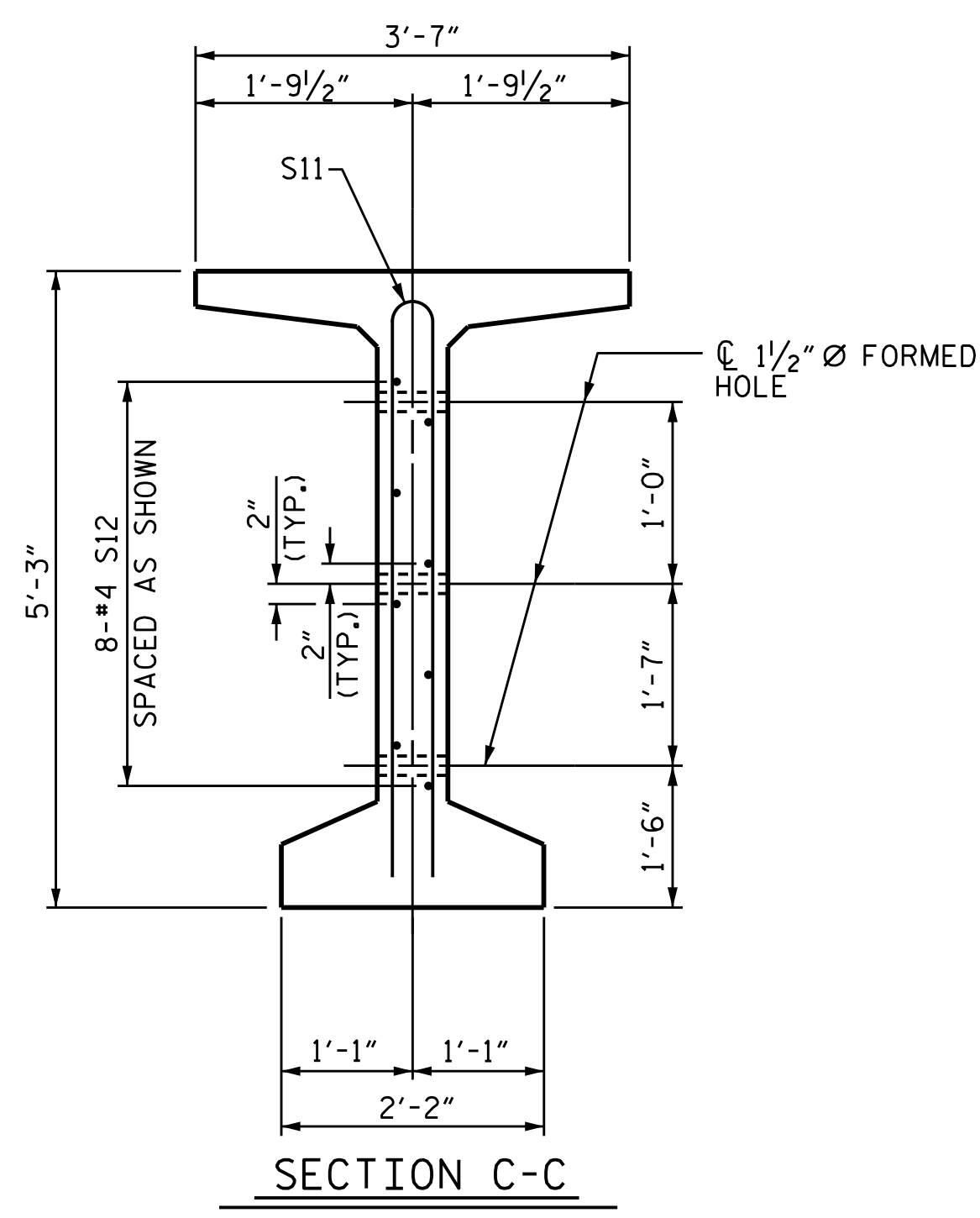


\* FOR S7 BARS, SEE  
DETAIL "C" OF  
PRESTRESSED  
CONCRETE GIRDER  
CONTINUOUS FOR LIVE  
LOAD DETAILS SHEET



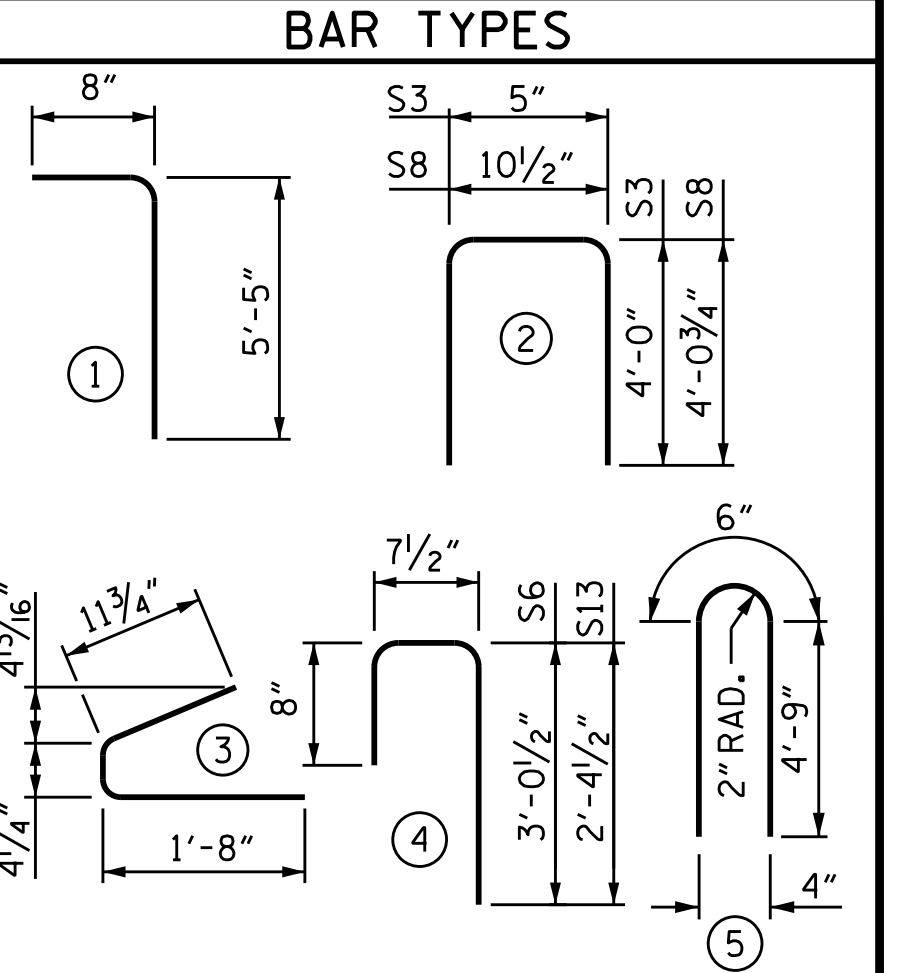
AT END OF GIRDER AT C OF GIRDER  
0.6" Ø LOW RELAXATION STRAND LAYOUT

DEBONDING LEGEND  
● FULLY BONDED STRANDS  
◊ STRANDS DEBONDED FOR 12'-0" FROM END OF GIRDER

0.6" Ø L. R. GRADE 270 STRANDS		
AREA (SQUARE INCHES)	ULTIMATE STRENGTH (LBS. PER STRAND)	APPLIED PRESTRESS (LBS. PER STRAND)
0.217	58,600	43,950

REINFORCING STEEL FOR ONE GDR					
BAR	NUMBER	SIZE	TYPE	LENGTH	WEIGHT
S1	154	#4	1	6'-1"	626
S2	24	#6	1	6'-1"	219
S3	12	#4	2	8'-5"	67
S4	72	#4	3	3'-0"	144
S6	176	#5	4	4'-4"	795
* S7	30	#5	STR	3'-8"	115
S8	2	#5	2	9'-0"	19
S9	30	#5	STR	3'-3"	102
S10	2	#3	STR	1'-10"	1
S11	8	#5	5	10'-0"	83
S12	16	#4	STR	8'-0"	86
S13	2	#5	4	3'-8"	8

\* NOTE: S7 BARS SHALL BE BENT BEFORE SHIPMENT. HEAT BENDING SHALL NOT BE ALLOWED.

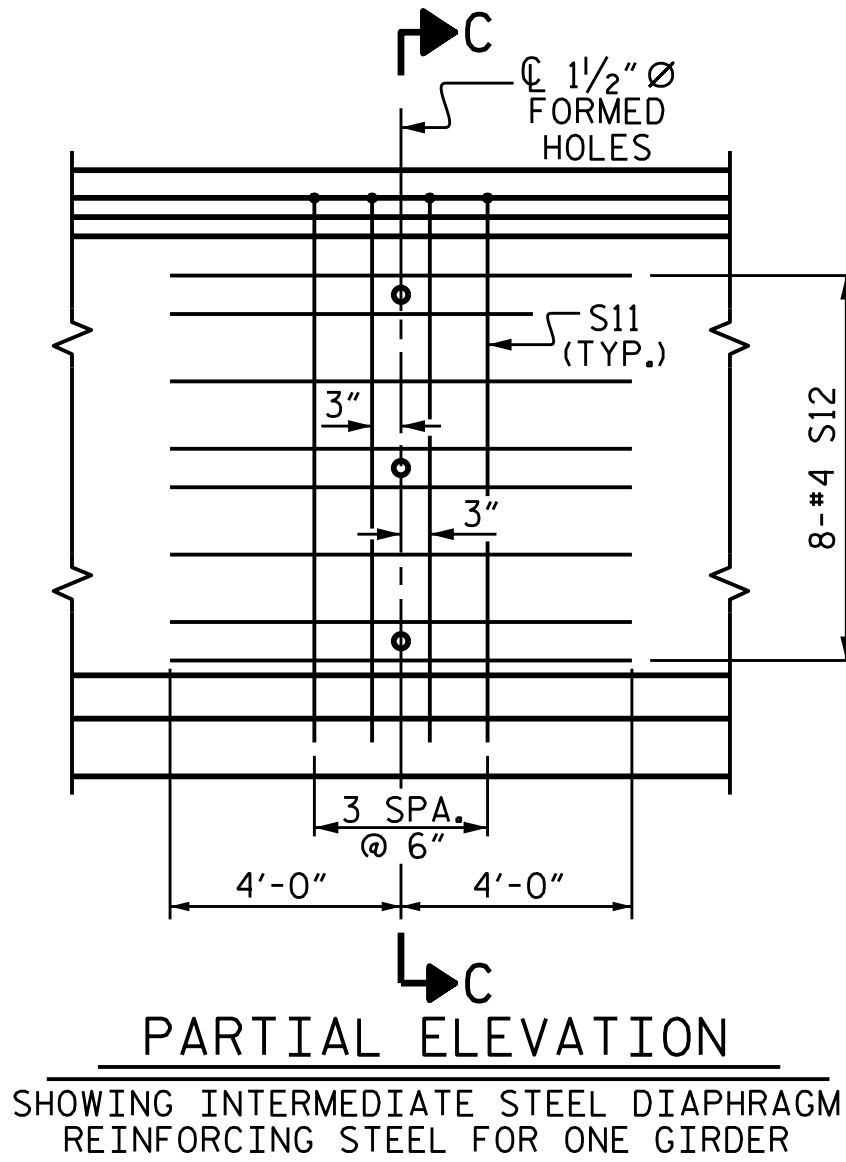


ALL BAR DIMENSIONS ARE OUT-TO-OUT.

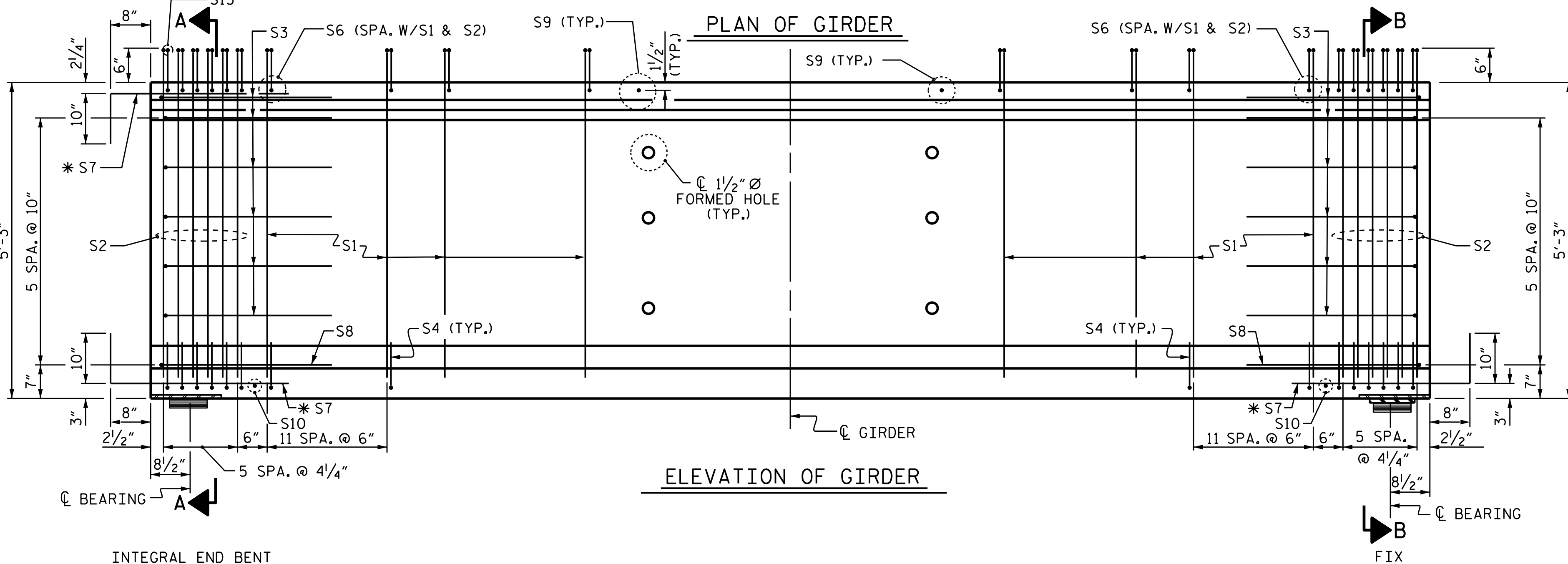
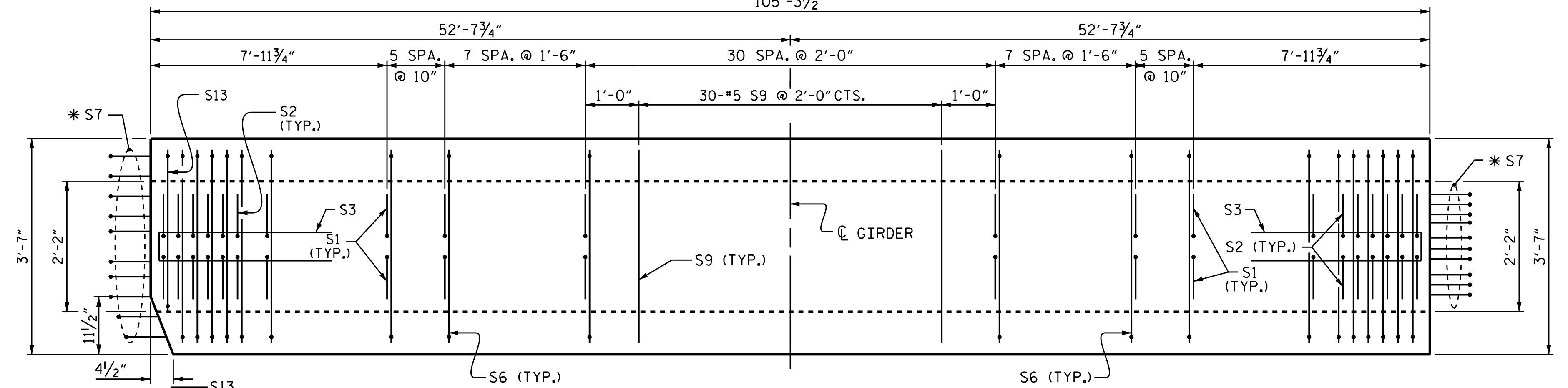
QUANTITIES FOR ONE GIRDER			
	REINFORCING STEEL	8,500 PSI CONCRETE	0.6" Ø L.R. STRANDS
	LB.	C.Y.	No.
	2,265	20.9	38

GIRDERS REQUIRED		
NUMBER	LENGTH	TOTAL LENGTH
7	105'-3 1/2"	737'-0 1/2"



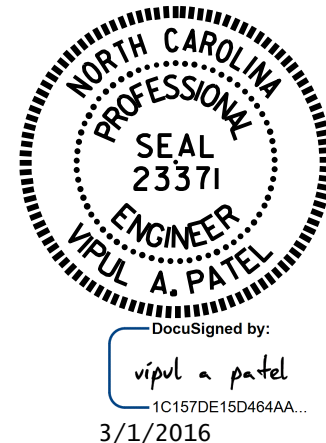
PARTIAL ELEVATION  
SHOWING INTERMEDIATE STEEL DIAPHRAGM REINFORCING STEEL FOR ONE GIRDER



PROJECT NO. B-5123  
CABARRUS COUNTY  
STATION: 21+44.10 -L-

SHEET 1 OF 3

STATE OF NORTH CAROLINA  
DEPARTMENT OF TRANSPORTATION  
RALEIGH  
STANDARD  
63" PRESTRESSED CONCRETE  
MODIFIED BULB TEE  
CONTINUOUS FOR LIVE LOAD  
SPAN A  
(LEFT LANE)



REVISIONS				SHEET NO.
NO.	BY:	DATE:	NO.	DATE:
1			3	
2			4	

DOCUMENT NOT CONSIDERED FINAL UNLESS ALL SIGNATURES COMPLETED

ASSEMBLED BY : T. H. CARROLL	DATE : 7/16/15	DESIGN ENGINEER OF RECORD:
CHECKED BY : K. D. LAYNE	DATE : 8/21/15	H.A. LOCKLEAR
DRAWN BY : EEM 2/6/97	REV. 10/1/11	DATE : 2-29-16
CHECKED BY : VAP 2/6/97	REV. 6/13	
	REV. 1/15	