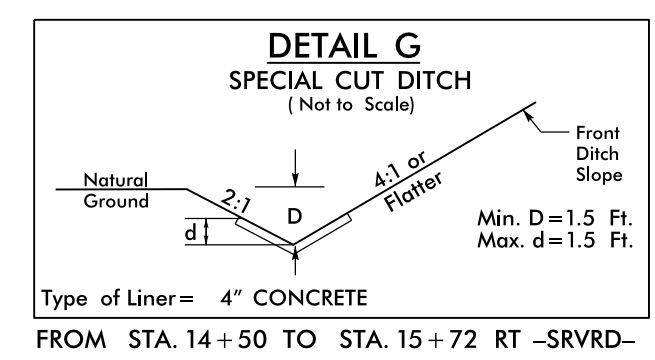
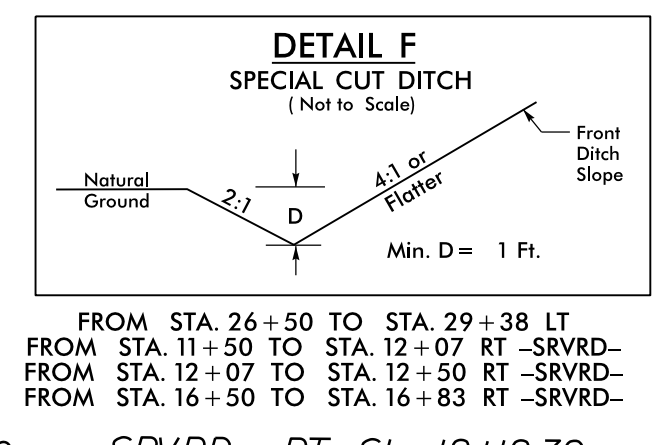
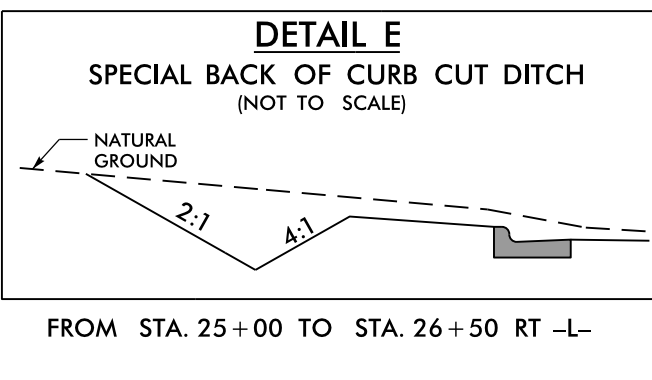
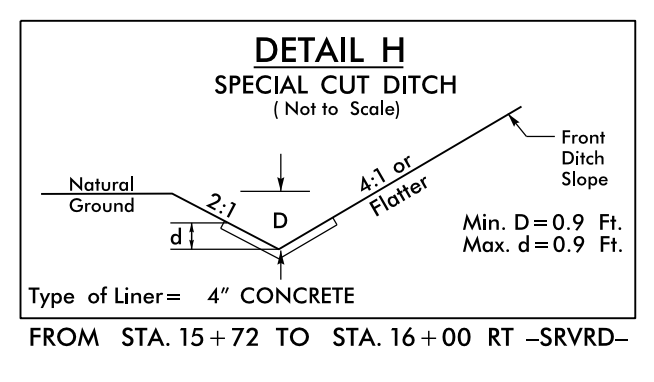
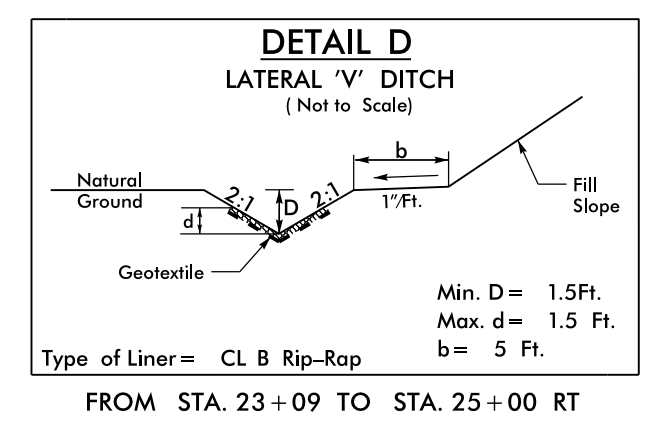
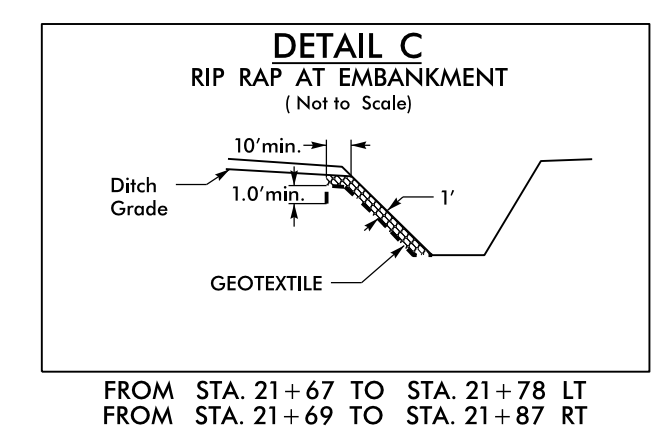
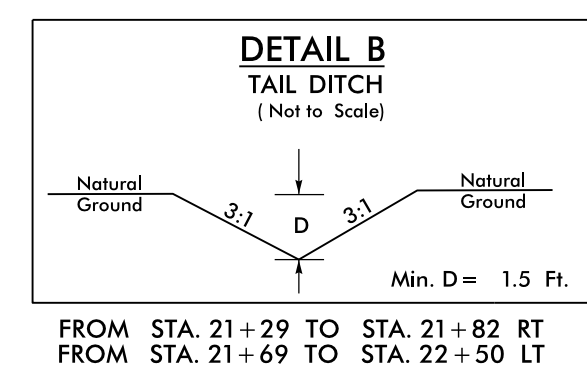
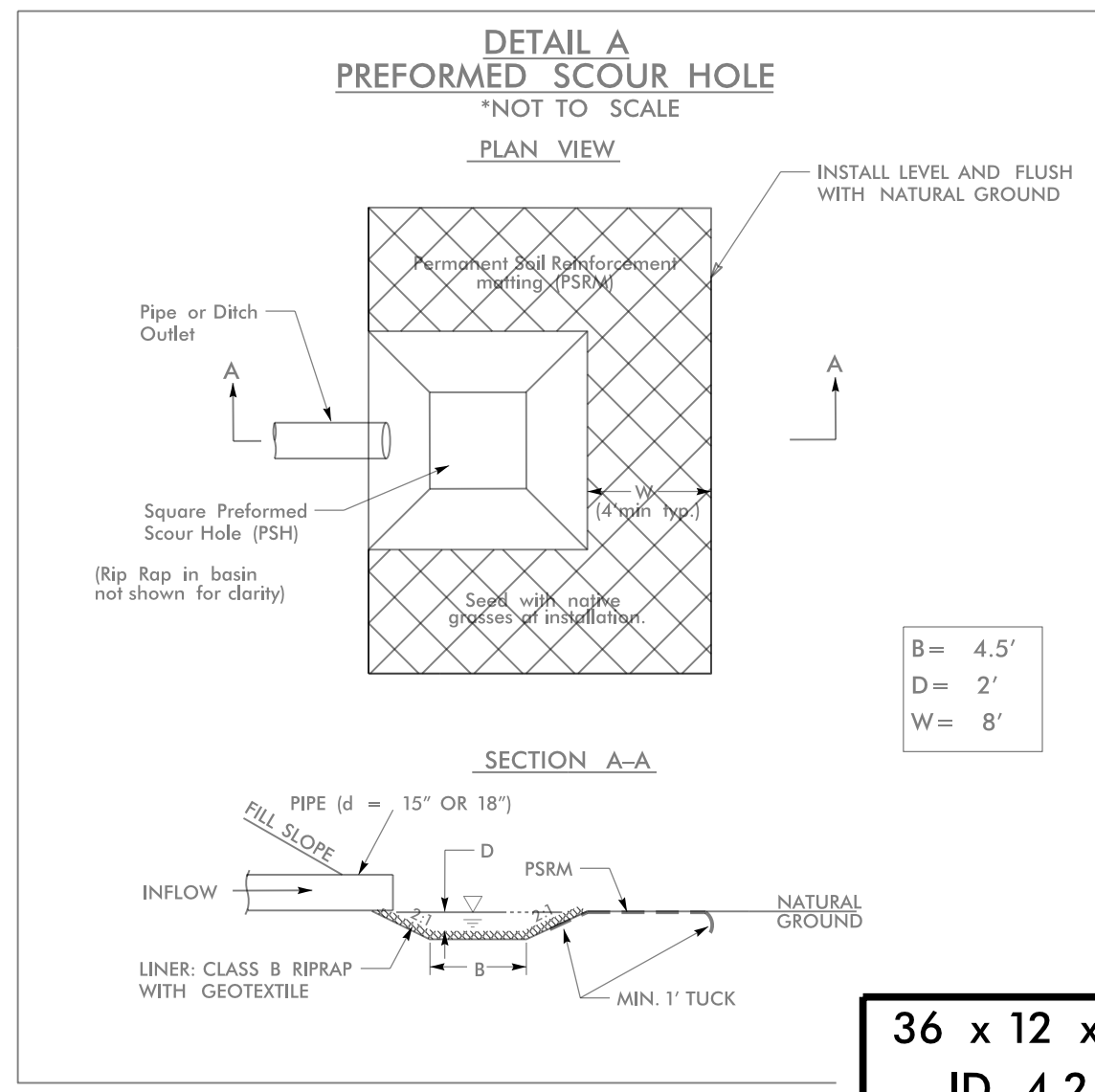
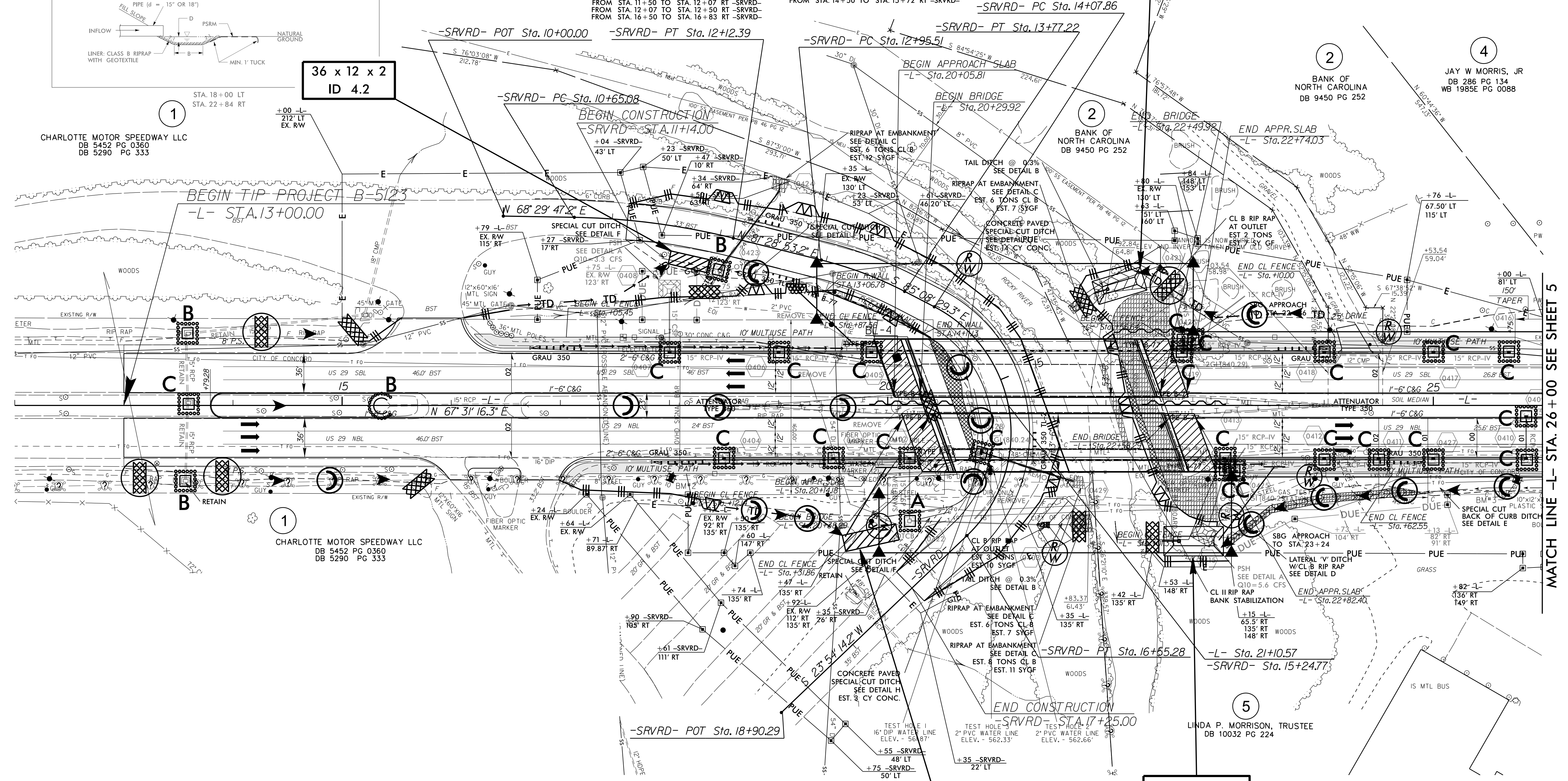


PROJECT REFERENCE NO.	SHEET NO.
B-5123	EC-7/CONST.4
RW SHEET NO.	HYDRAULICS ENGINEER
ROADWAY DESIGN ENGINEER	



46 x 22 x 2  
1.5 inch Skimmer  
with 0.625 inch  
Orifice Diameter  
8 ft. weir  
ID 4.3



36 x 12 x 2  
ID 4.2

54 x 27 x 2  
1.5 inch Skimmer  
with 1.125 inch  
Orifice Diameter  
11 ft. weir  
ID 4.4

50 x 15 x 2  
ID 4.1

NOTE:  
UTILIZE TEMPORARY SEDIMENT BASIN OR SPECIAL STILLING BASIN(S) AS STILLING BASIN WHERE APPLICABLE.

Place Matting for Erosion Control  
on Slope as Work Allows.  
Sta. 17+00 to Sta. 20+00 LT  
Sta. 18+00 to Sta. 20+50 RT

MATCH LINE -L- STA. 26+00 SEE SHEET 5

8/17/99

29 DEC 2015 10:29  
R:\EC-Const\B-5123\_EC.psh-4.dgn  
11/17/2015 2:05:33