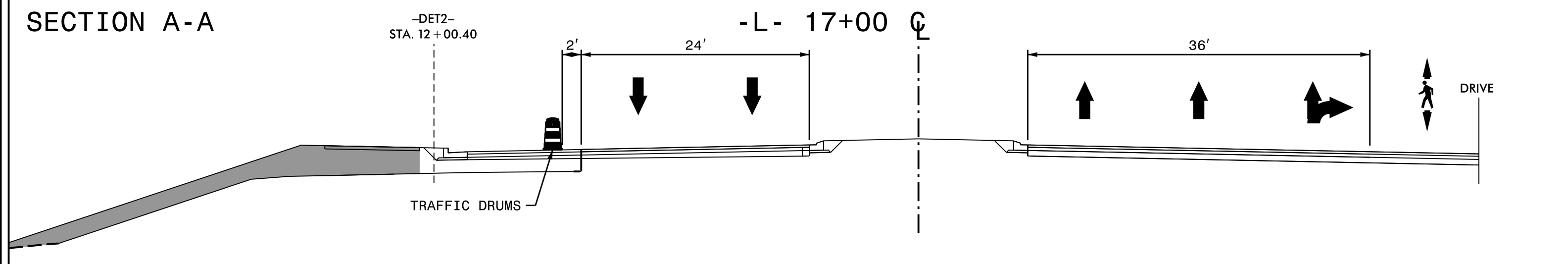
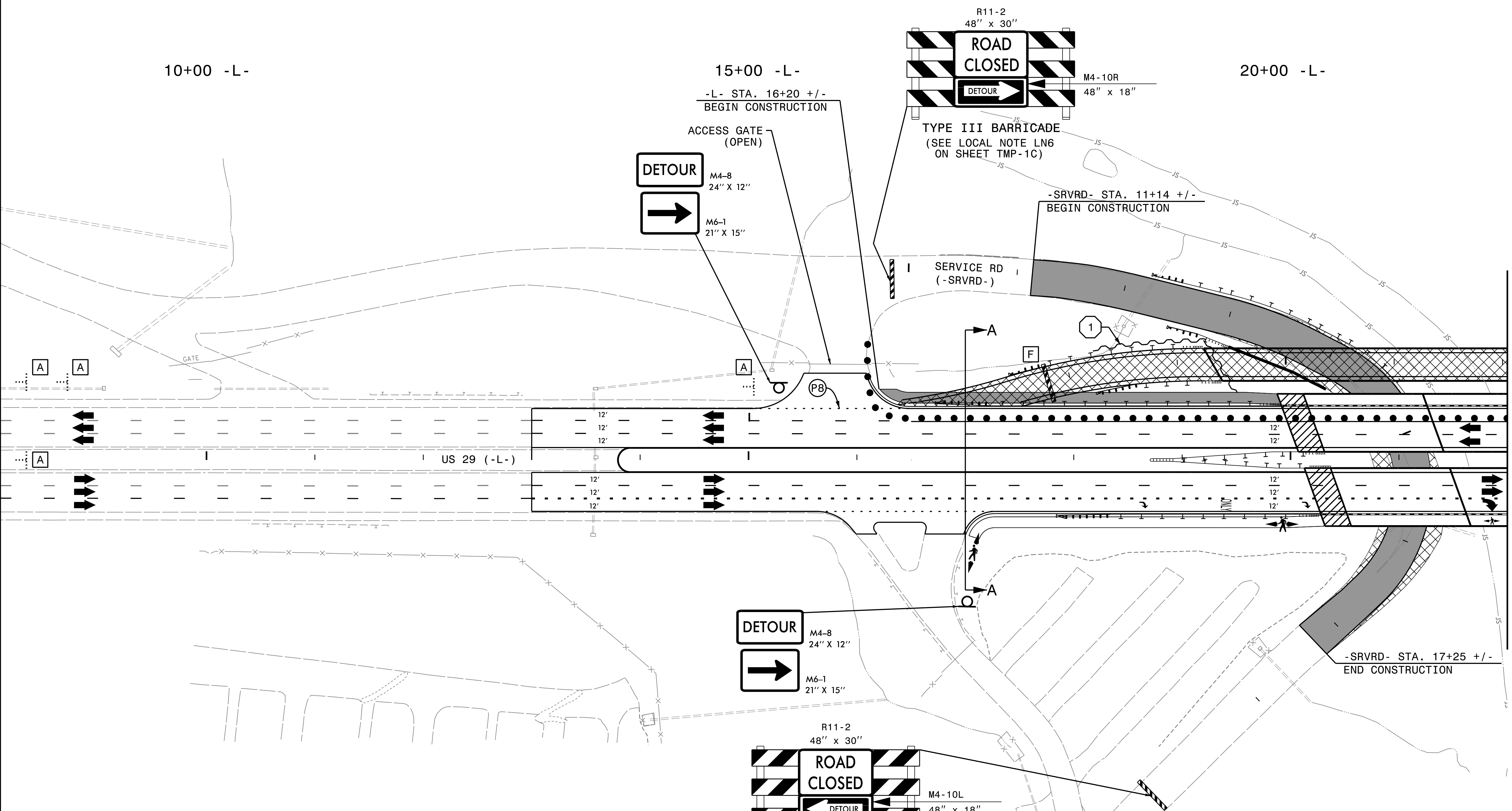
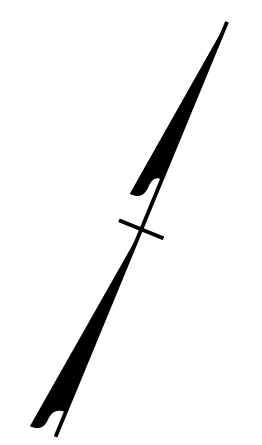


SECTION A-A

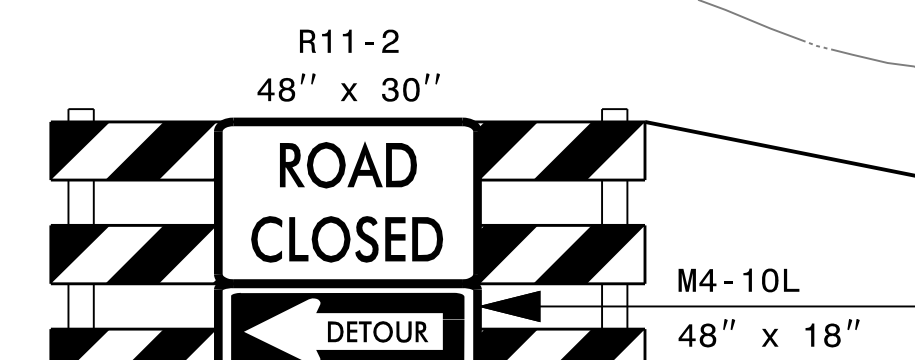
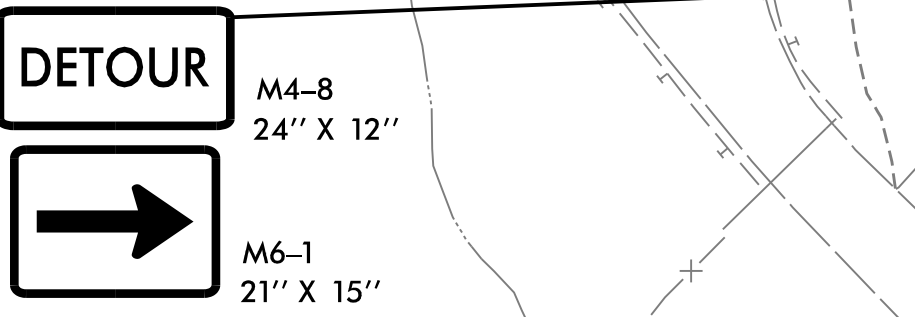


- ① TEMPORARY SHORING TO BE INCORPORATED INTO PERMANENT WALL
SEE SHEET TMP-2A FOR TEMPORARY SHORING INFORMATION.
- A SIGNS TO REMAIN FROM PHASE 1 (SEE TMP-4)
- F SIGNS AND DEVICES TO REMAIN FROM PHASE 5, STEP 1 (SEE TMP-18)

PROJ. REFERENCE NO. B-5123	SHEET NO. TMP-20
HDR Engineering, Inc. of the Carolinas 555 Fayetteville St., Suite 900 Raleigh, N.C. 27601 N.C.B.E.L.S. License Number: F-0116	



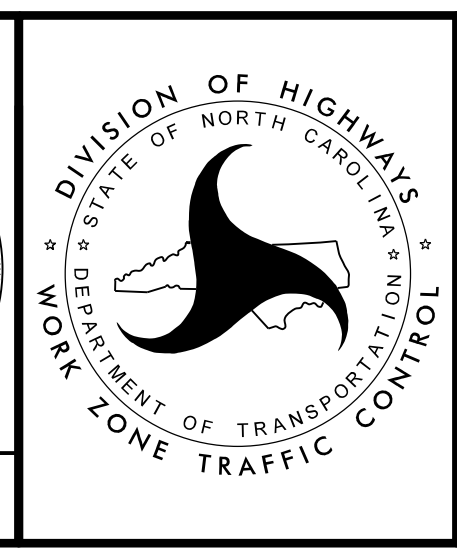
PLOT DRIVER: NCDOT_color_eng_50.plt
 USER: CHARNDEN
 DATE: 1/29/2016
 TIME: 9:45:48 AM
 FILE: p:\WPAPP\TFA01\SouthEast-Tampa\Documents\000166\CON0079159\CON0104476\000000000272555\6.0.CAD.BIM\6.2.Work_In_Progress\TrafficControl\TCP\B-5123_TC_TMP-20-Phase5b-1.dgn



TYPE III BARRICADE
(SEE LOCAL NOTE LN6 ON SHEET TMP-1C)

APPROVED: *Ben Schoenauer*
 DATE: 1/29/2016

DOCUMENT NOT CONSIDERED FINAL
UNLESS ALL SIGNATURES COMPLETED



PHASE 5
STEP 2