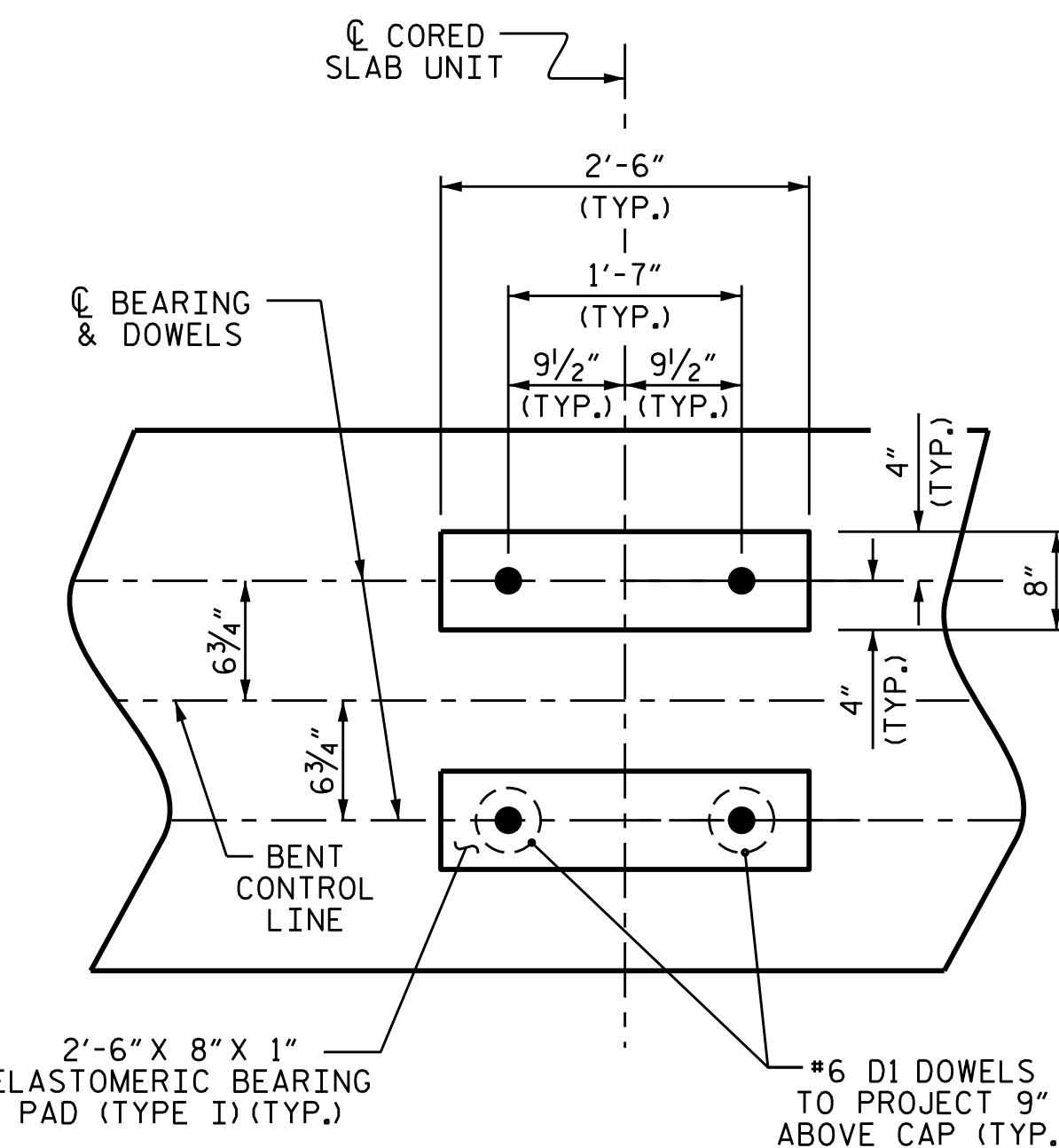
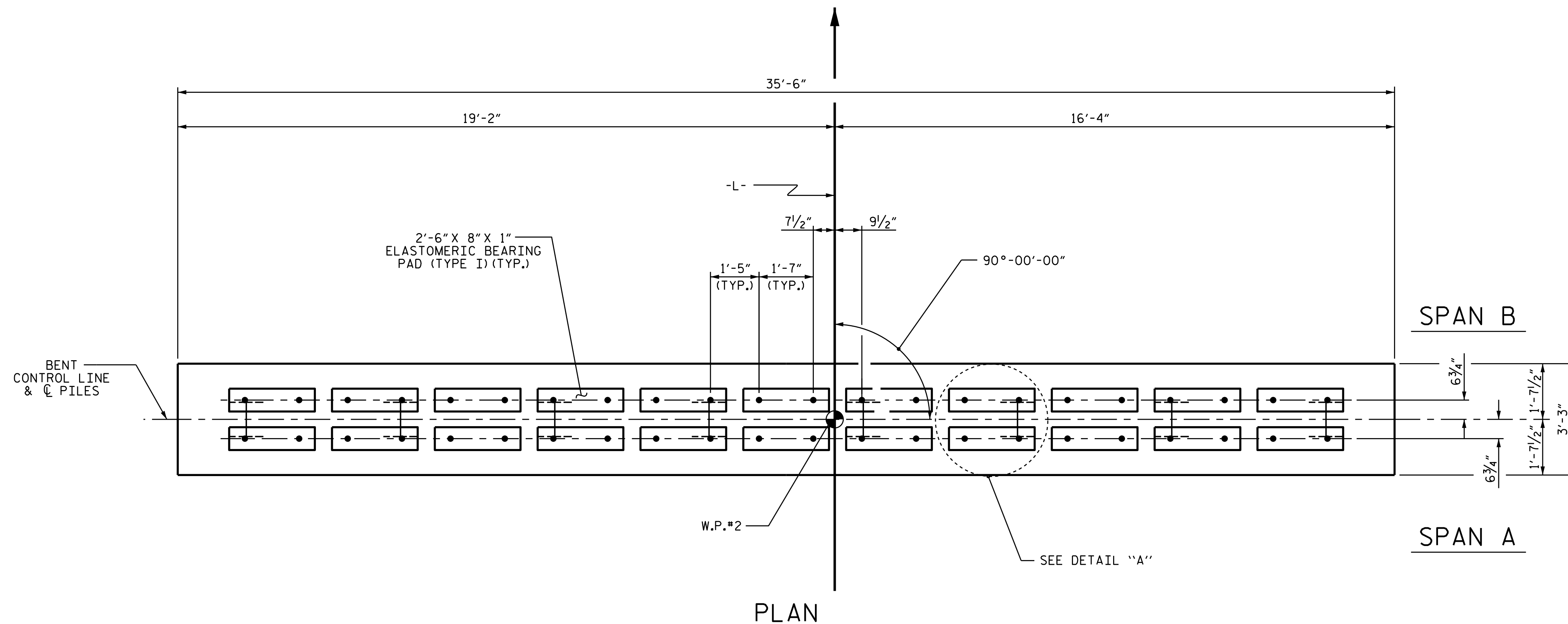
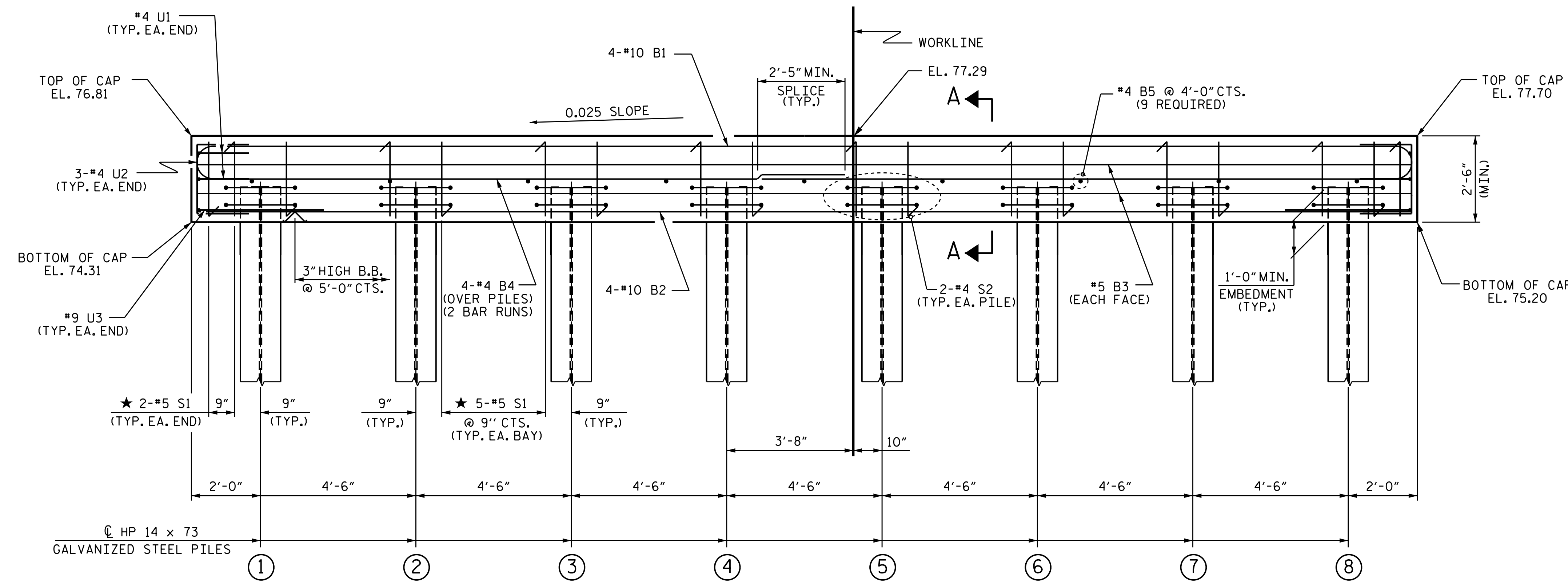


NOTES

- STIRRUPS IN CAP MAY BE SHIFTED AS NECESSARY TO CLEAR DOWELS.
- ★ INVERT ALTERNATE STIRRUPS.
- GALVANIZE THE TOP OF EACH INTERIOR BENT PILE A MINIMUM OF 23.30 FEET. GALVANIZE IN ACCORDANCE WITH SECTION 1076 OF THE STANDARD SPECIFICATIONS.



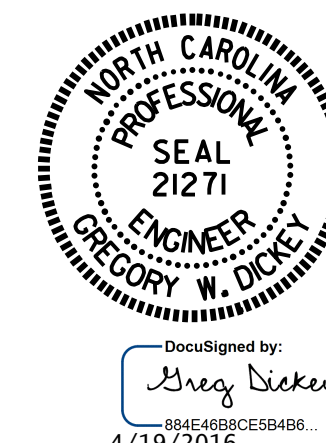
DETAIL "A"
(DIMENSIONS ARE TYPICAL EACH BEARING)



TOP OF PILE ELEVATIONS	
①	75.36
②	75.47
③	75.59
④	75.70
⑤	75.81
⑥	75.92
⑦	76.04
⑧	76.15

ELEVATION
FOR SECTION A-A, SEE SHEET 3 OF 3

PROJECT NO. B-5313
WILSON COUNTY
STATION: 15+45.50 -L-
SHEET 1 OF 3



STATE OF NORTH CAROLINA
DEPARTMENT OF TRANSPORTATION
RALEIGH

SUBSTRUCTURE
BENT No. 1

ASSEMBLED BY : REZA KOUCHEKI	DATE : 7/1/15
CHECKED BY : W.F. PARKER	DATE : 11/15
DRAWN BY : DGE	05/10
CHECKED BY : MKT	05/10
REV. 11/14	MAA/TMG

DOCUMENT NOT CONSIDERED FINAL UNLESS ALL SIGNATURES COMPLETED

REVISIONS						SHEET NO.
NO.	BY:	DATE:	NO.	BY:	DATE:	S-15
1			3			TOTAL SHEETS 19
2			4			