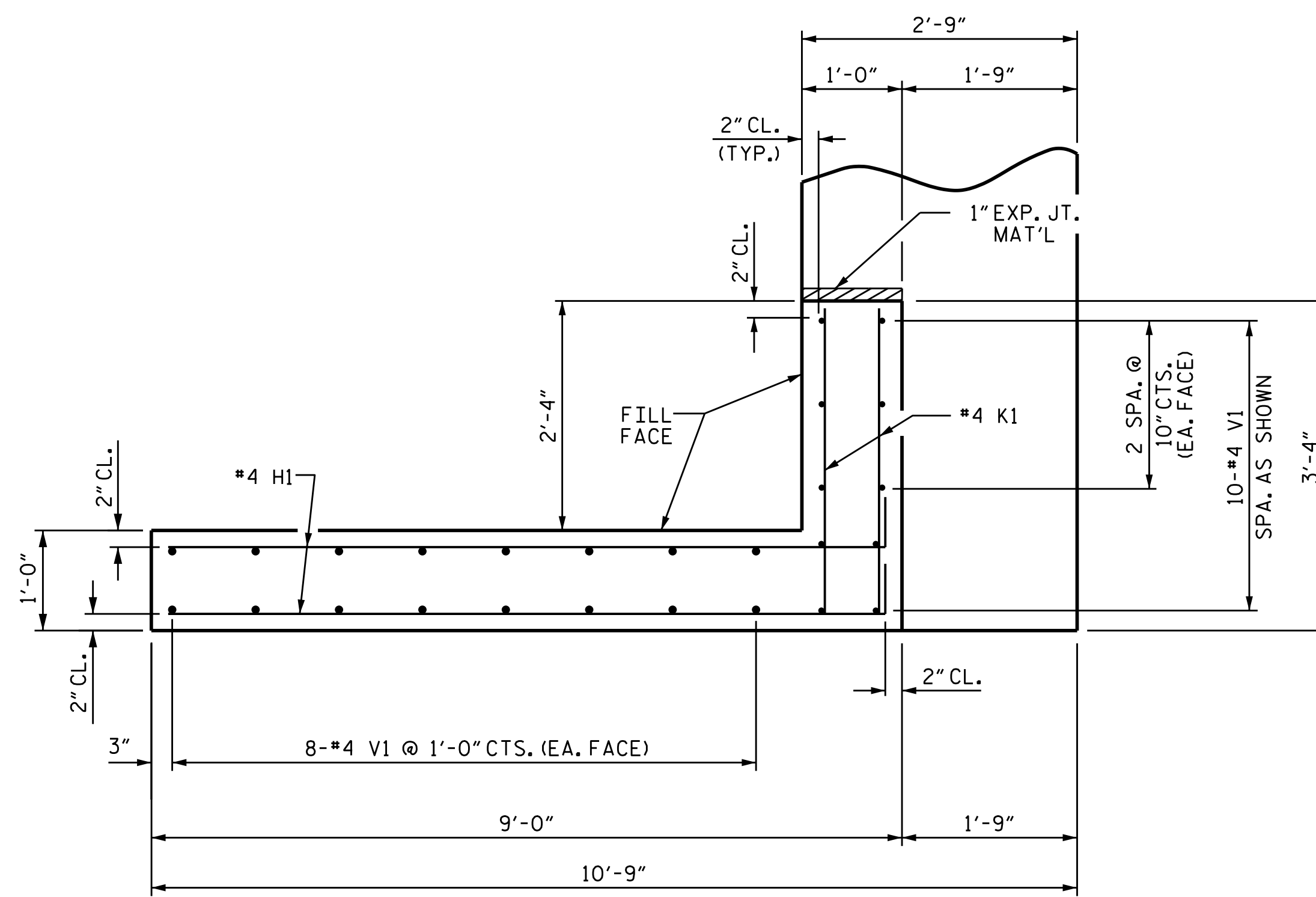
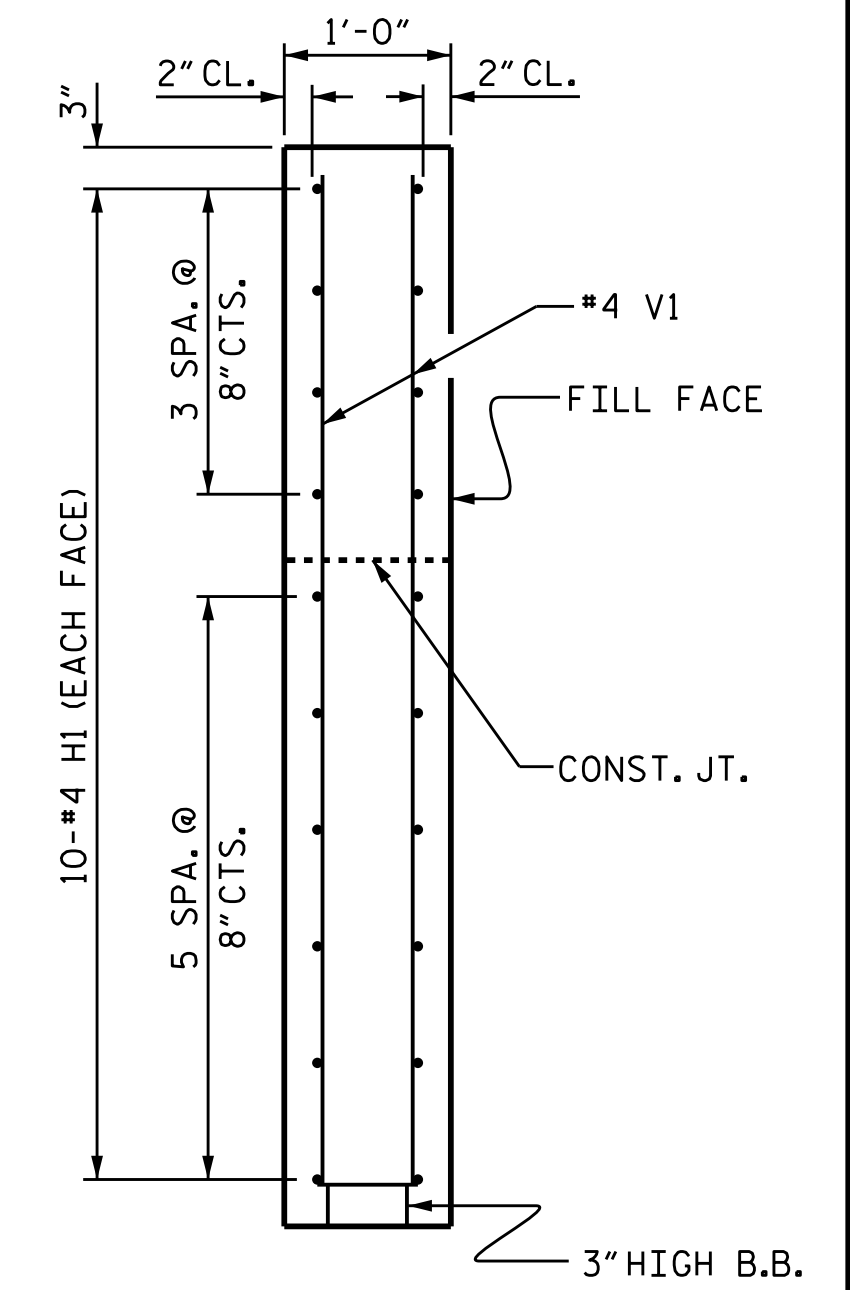


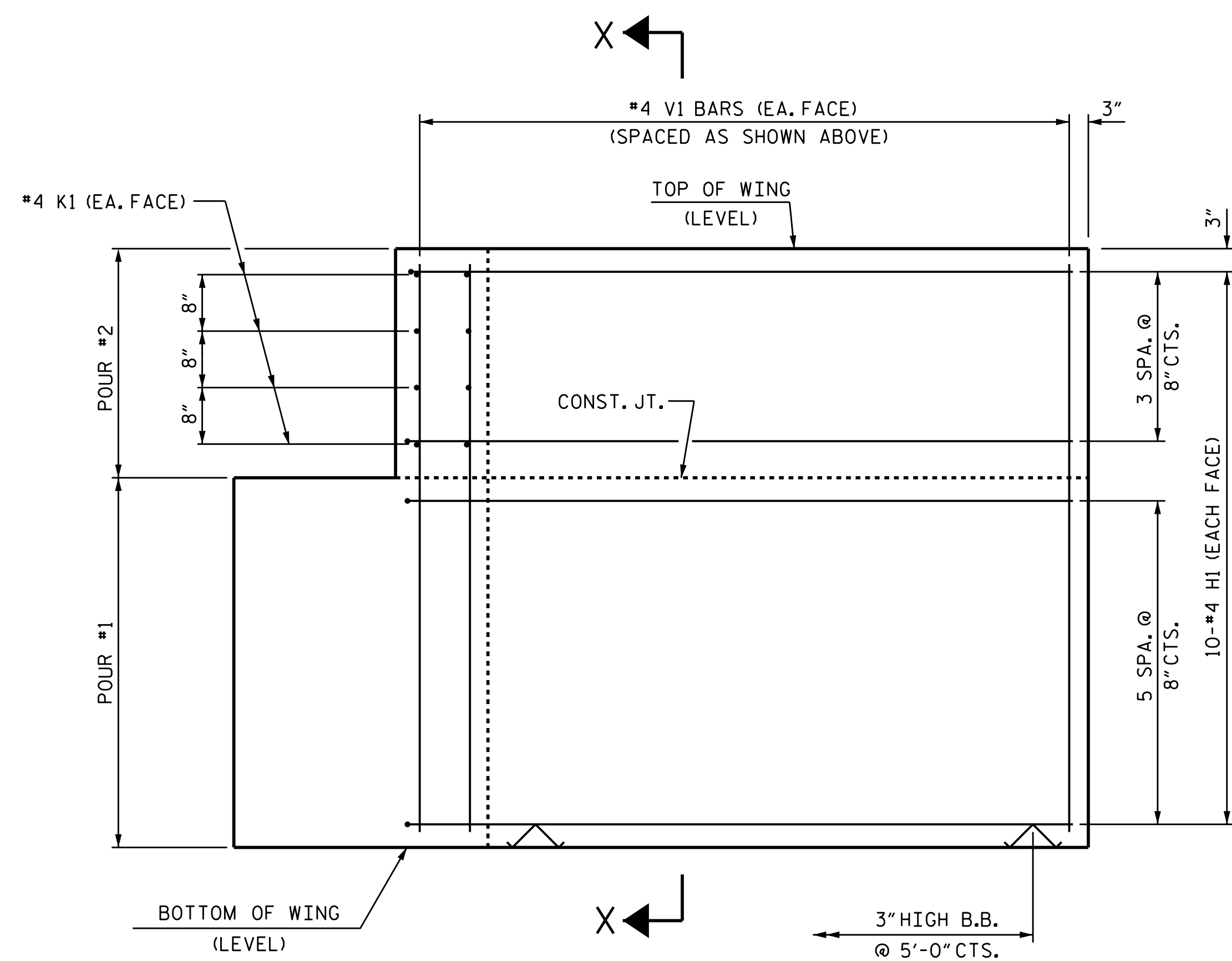
PLAN OF WING (W1)



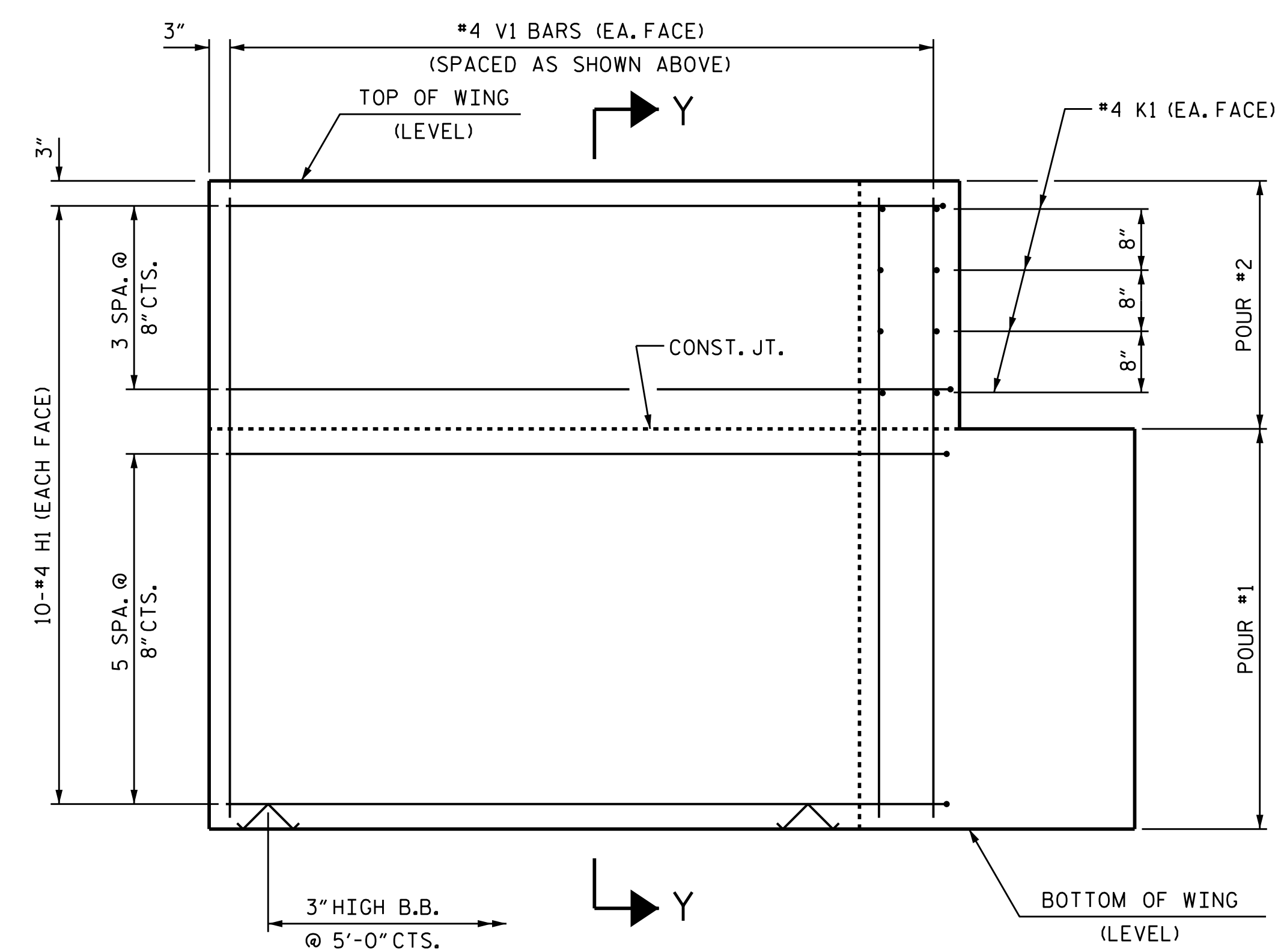
PLAN OF WING (W2)



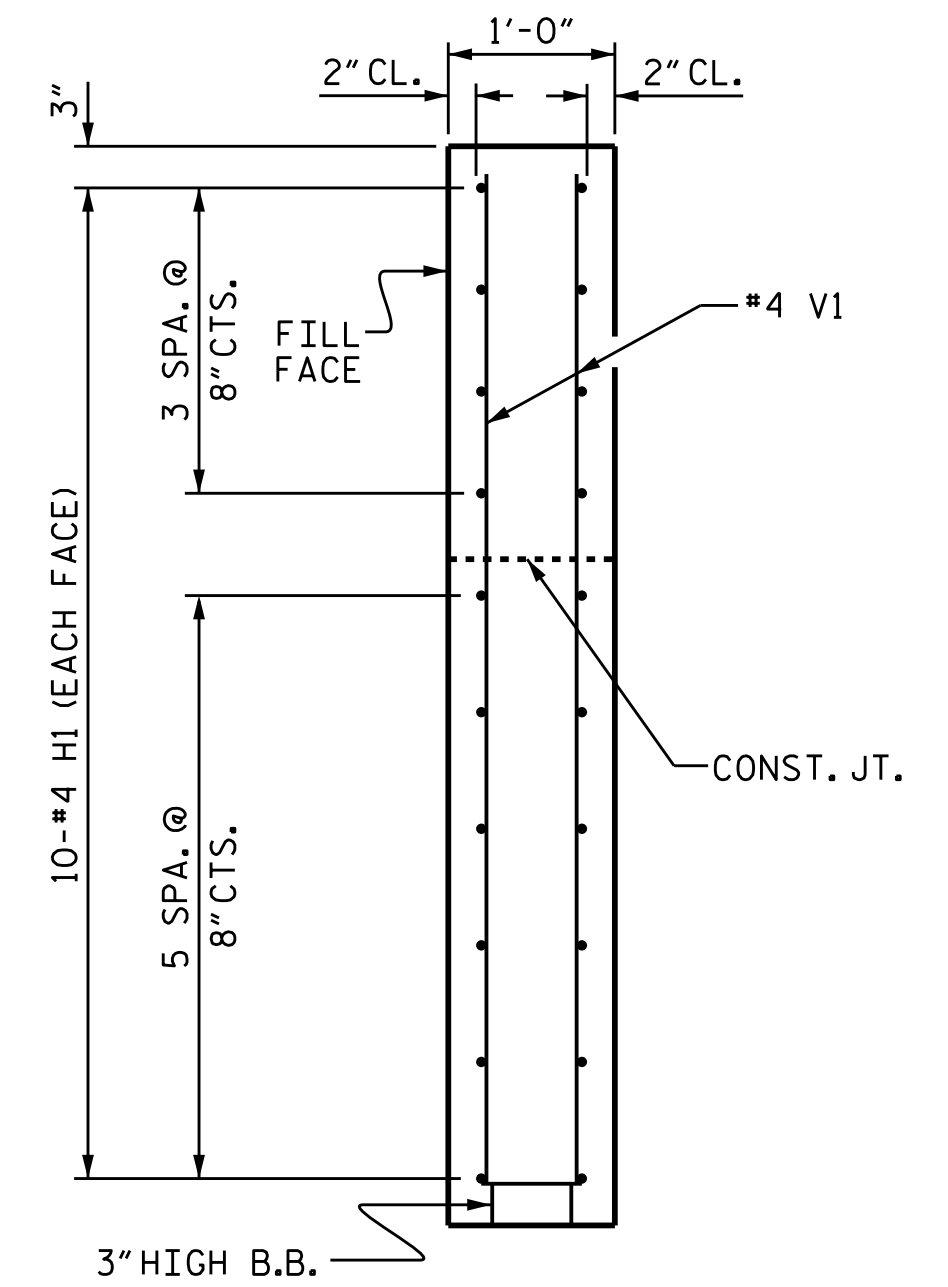
SECTION X-X



ELEVATION OF WING (W1)



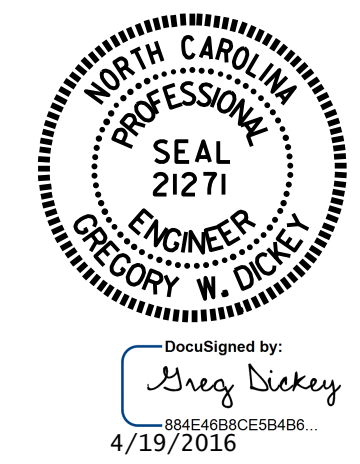
ELEVATION OF WING (W2)



SECTION Y-Y

PROJECT NO. B-5313
 WILSON COUNTY
 STATION: 15+45.50 -L-

SHEET 3 OF 4



STATE OF NORTH CAROLINA
 DEPARTMENT OF TRANSPORTATION
 RALEIGH
 SUBSTRUCTURE
 END BENT
 WING DETAILS

ASSEMBLED BY : REZA KOUCHEKI DATE : 7/1/15
 CHECKED BY : W.F.PARKER DATE : 11/15
 DRAWN BY : WJH 12/11
 CHECKED BY : AAC 12/11
 REV. 4/15 MAA/TMG

DOCUMENT NOT CONSIDERED
 FINAL UNLESS ALL
 SIGNATURES COMPLETED

REVISIONS						SHEET NO.	
NO.	BY:	DATE:	NO.	BY:	DATE:	S-13	
1			3			TOTAL SHEETS 19	
2			4				

19-APR-2016 15:22
 Y:\Structures\FINAL PLAN\B5313.Final.Plan.CS.dgn
 gdickey