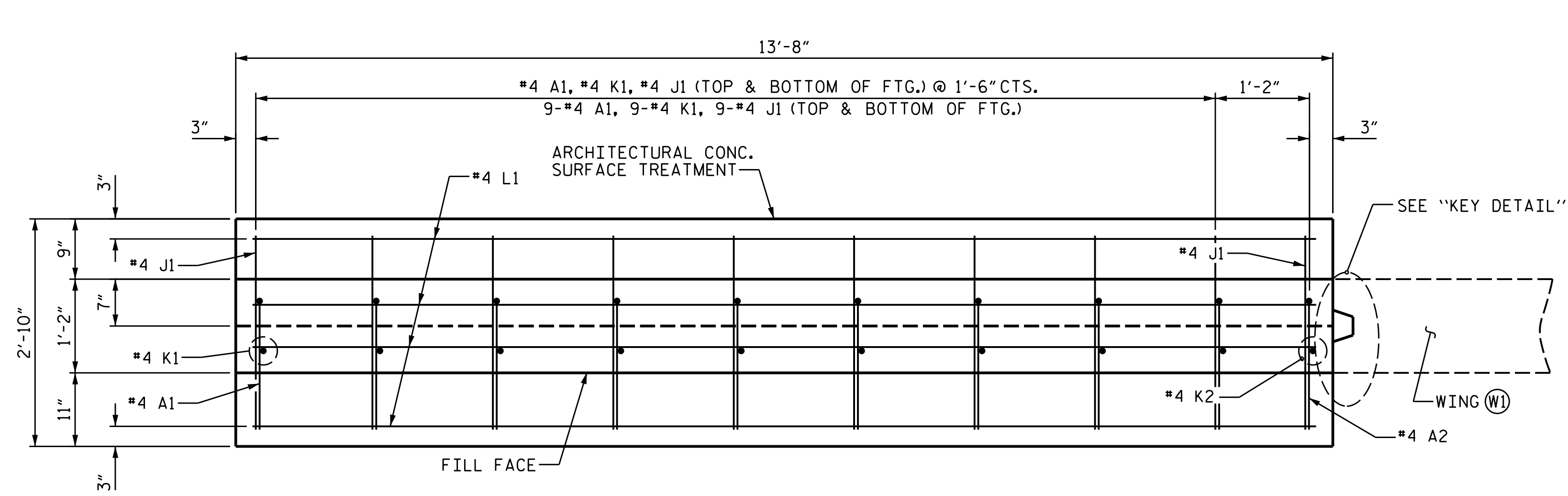


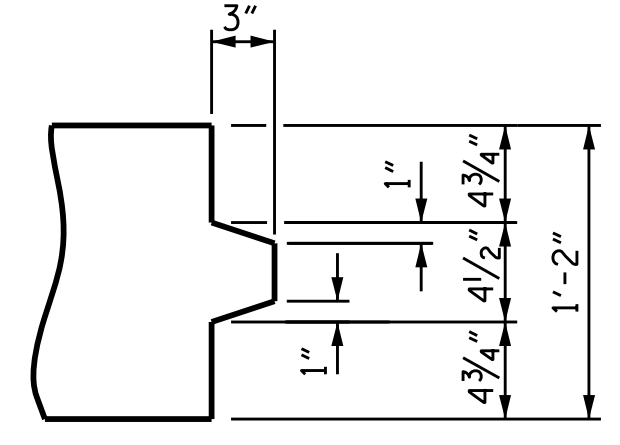
BAR TYPES	
	A1
	A2

ALL BAR DIMENSIONS ARE OUT TO OUT.

BILL OF MATERIAL					
END BENT No. 1 WALL					
BAR NO.	NO.	SIZE	TYPE	LENGTH	WEIGHT
A1	9	#4	1	5'-3"	32
A2	1	#4	1	5'-5"	4
J1	20	#4	STR	2'-4"	31
K1	9	#4	STR	4'-0"	24
K2	1	#4	STR	4'-7"	3
L1	12	#4	STR	13'-2"	106
L2	2	#4	STR	2'-0"	3
REINFORCING STEEL					203 LBS.
CLASS A CONCRETE BREAKDOWN					
POUR #1	FOOTING				1.8 C.Y.
POUR #2	WALL				1.9 C.Y.
TOTAL CLASS A CONCRETE					3.7 C.Y.
FOUNDATION EXCAVATION					LUMP SUM
ARCHITECTURAL CONC. SURFACE TREATMENT					65 SQ. FT.

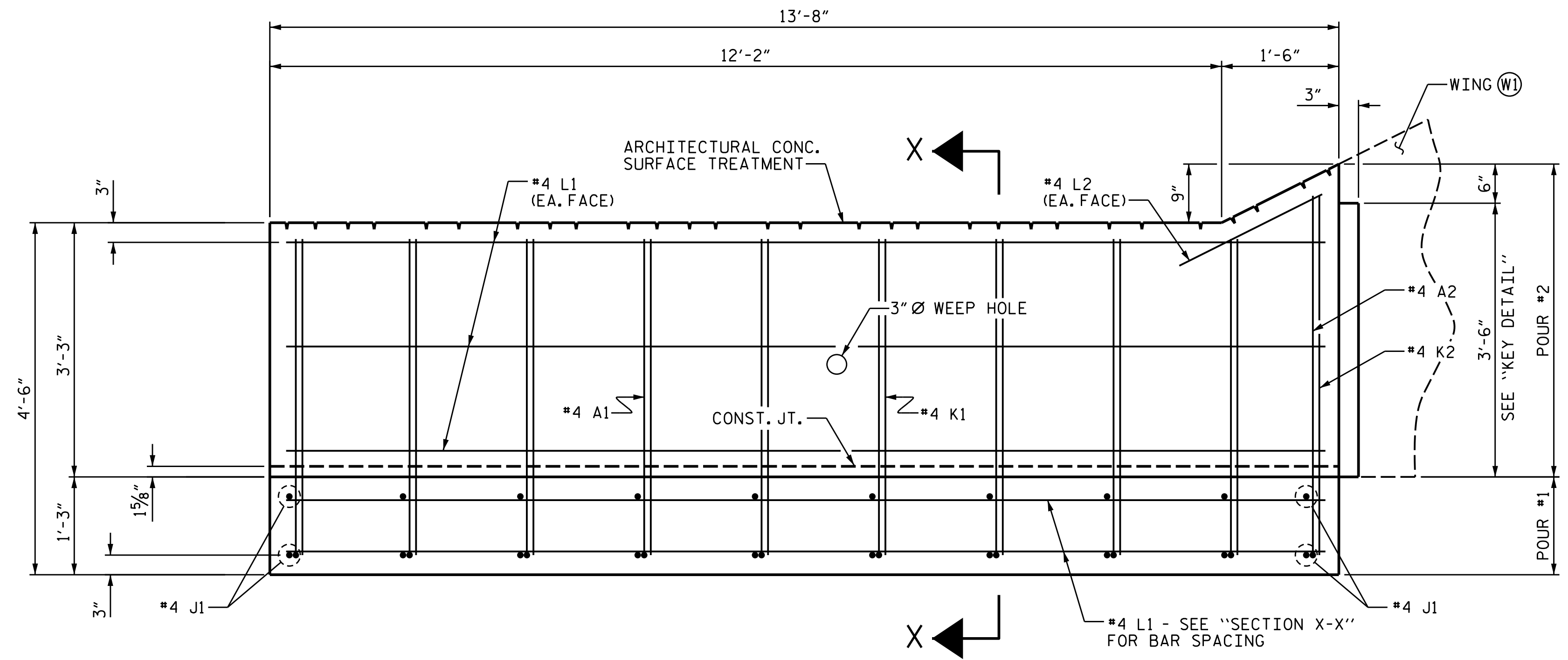


PLAN OF WALL (W1)

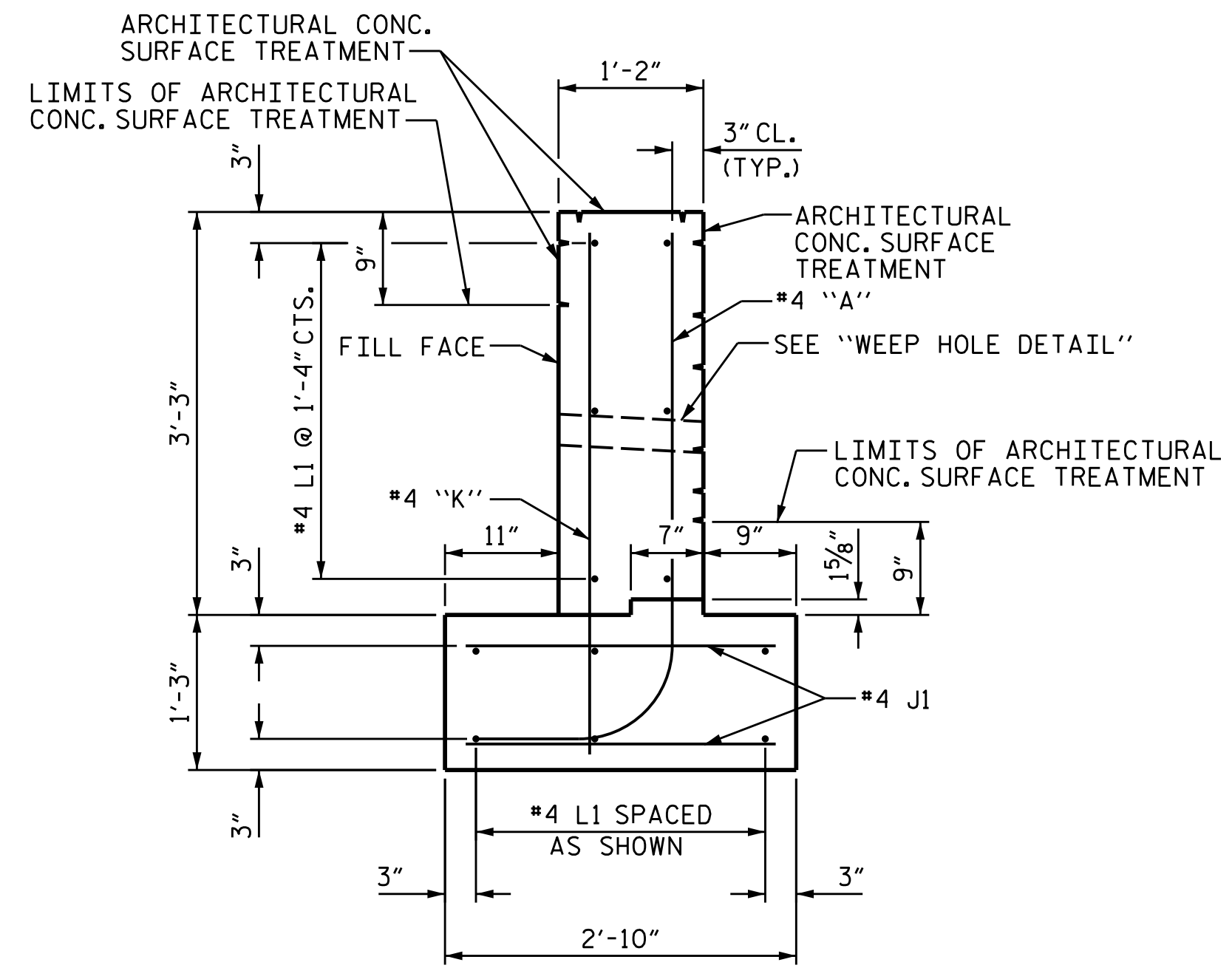


KEY DETAIL

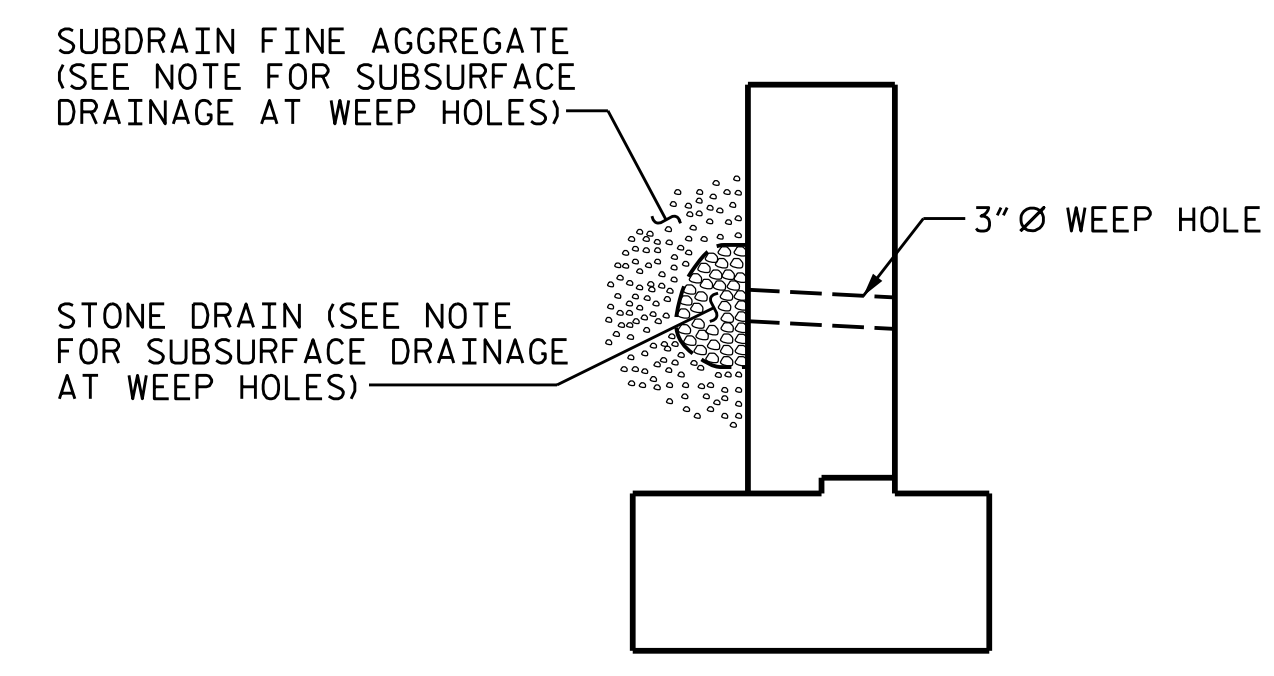
NOTES:
 PLACE 3" DIAMETER WEEP HOLES ON A 10'-0" CENTER-TO-CENTER SPACING AT ELEVATION 2900.0±.
 FOR SUBSURFACE DRAINAGE AT WEEP HOLES, SEE ARTICLE 414-8 OF THE STANDARD SPECIFICATIONS.
 DO NOT PLACE CONCRETE FOR FOOTINGS UNTIL EXCAVATION DIMENSIONS AND FOUNDATION MATERIAL ARE APPROVED.
 ARCHITECTURAL CONCRETE SURFACE TREATMENT SHALL BE APPLIED TO THE FRONT FACE, FILL FACE AND TOP OF THE WALL AS DETAILED ON THE PLANS. FOR ARCHITECTURAL CONCRETE SURFACE TREATMENT, SEE SPECIAL PROVISIONS.



ELEVATION OF WALL (W1)



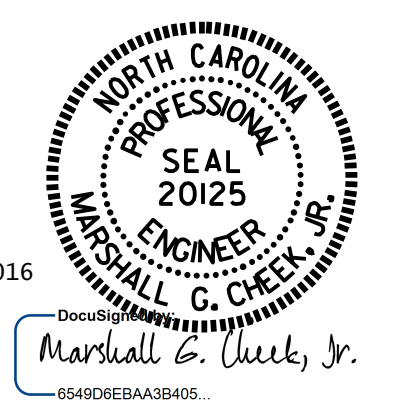
SECTION X-X



WEEP HOLE DETAIL

TOTAL BILL OF MATERIAL	
END BENT No. 1	
REINFORCING STEEL	2733 LBS.
CLASS A CONCRETE	24.9 C.Y.
HP 12 X 53 STEEL PILES NO: 7	125 LIN. FT.
PILE EXCAVATION	
PILE EXCAVATION IN SOIL	60 LIN. FT.
PILE EXCAVATION NOT IN SOIL	35 LIN. FT.
FOUNDATION EXCAVATION	LUMP SUM
ARCHITECTURAL CONC. SURFACE TREATMENT	315 SQ. FT.

PROJECT NO. B-5118
WATAUGA COUNTY
 STATION: 11+91.00 -L-
 SHEET 4 OF 4



STATE OF NORTH CAROLINA
 DEPARTMENT OF TRANSPORTATION
 RALEIGH
**END BENT No. 1
 WALL DETAILS**

DRAWN BY: W.J. HARRIS DATE: 3/16
 CHECKED BY: B.N. GRADY DATE: 3/16
 DESIGN ENGINEER OF RECORD: W.J. HARRIS DATE: 4/16

DOCUMENT NOT CONSIDERED
 FINAL UNLESS ALL
 SIGNATURES COMPLETED

REVISIONS						SHEET NO.
NO.	BY:	DATE:	NO.	BY:	DATE:	TOTAL SHEETS
1			3			S-14
2			4			20