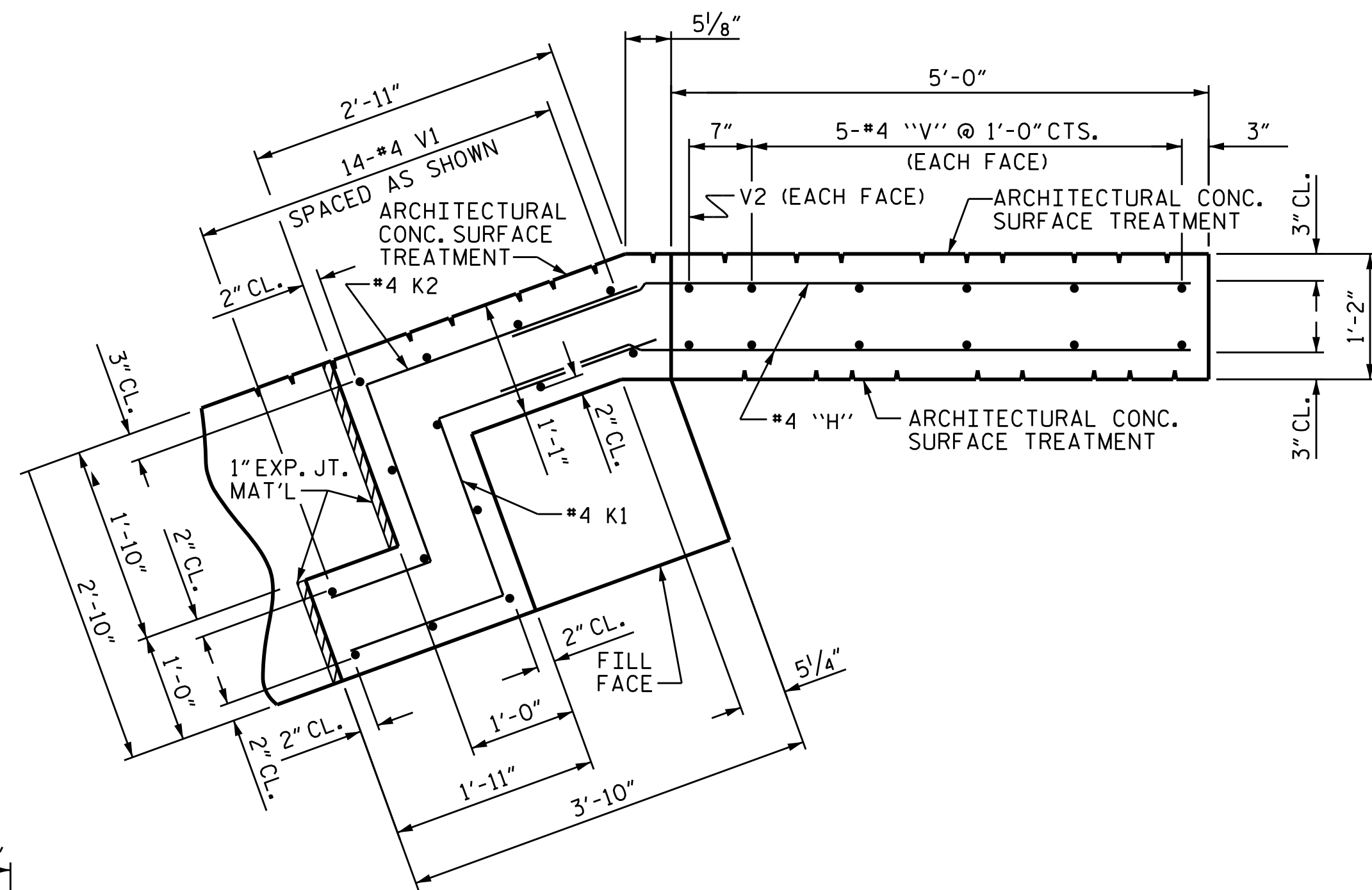
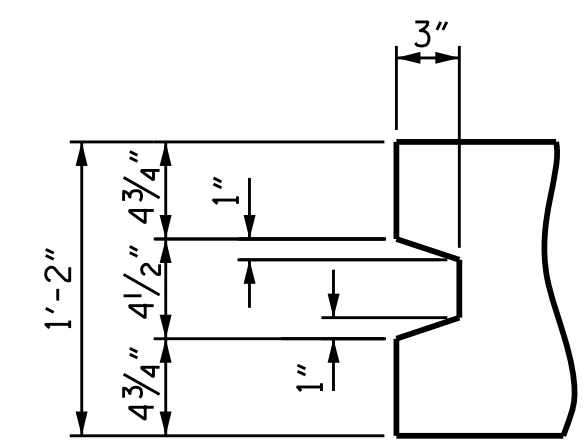


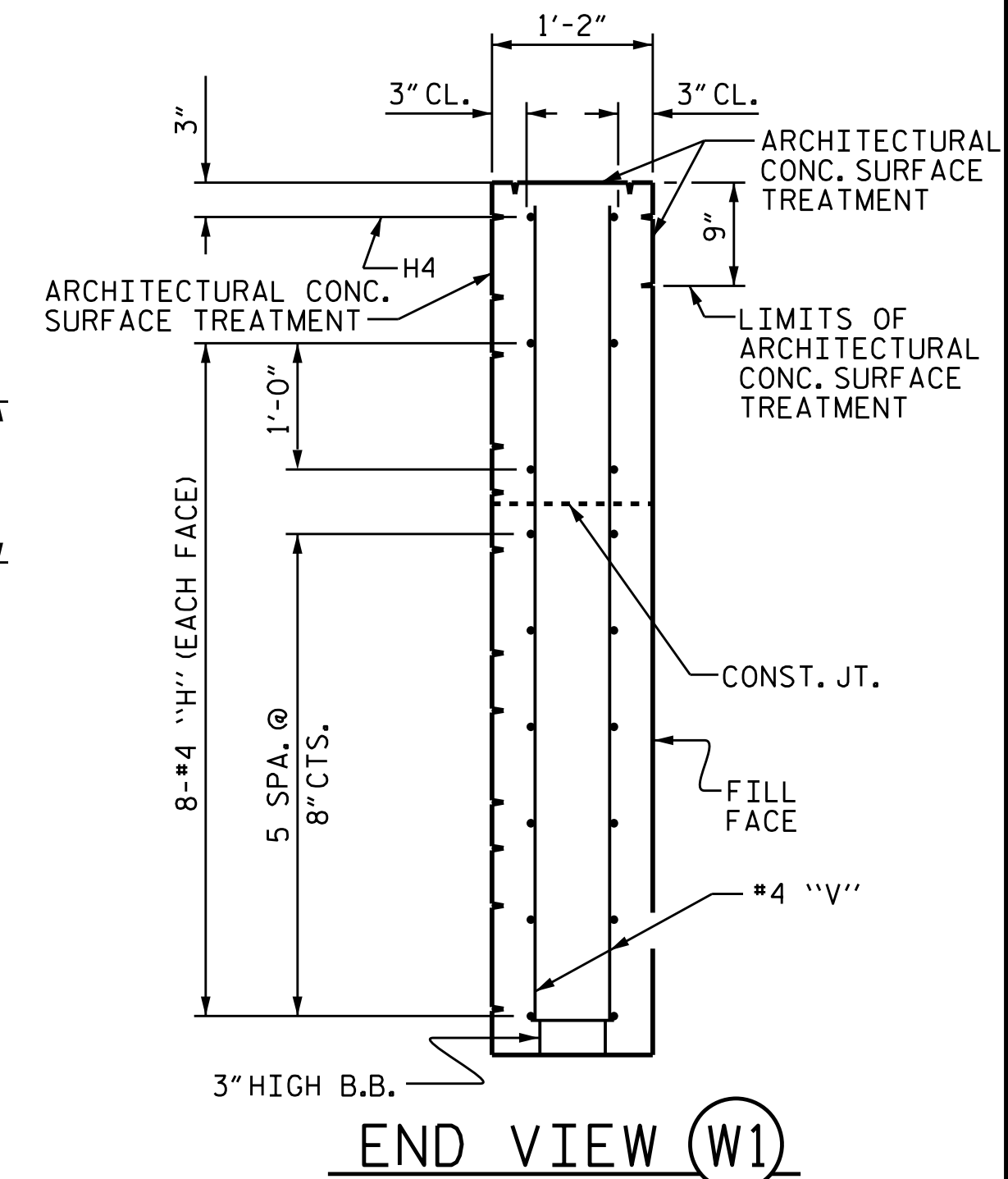
PLAN OF WING (W1)



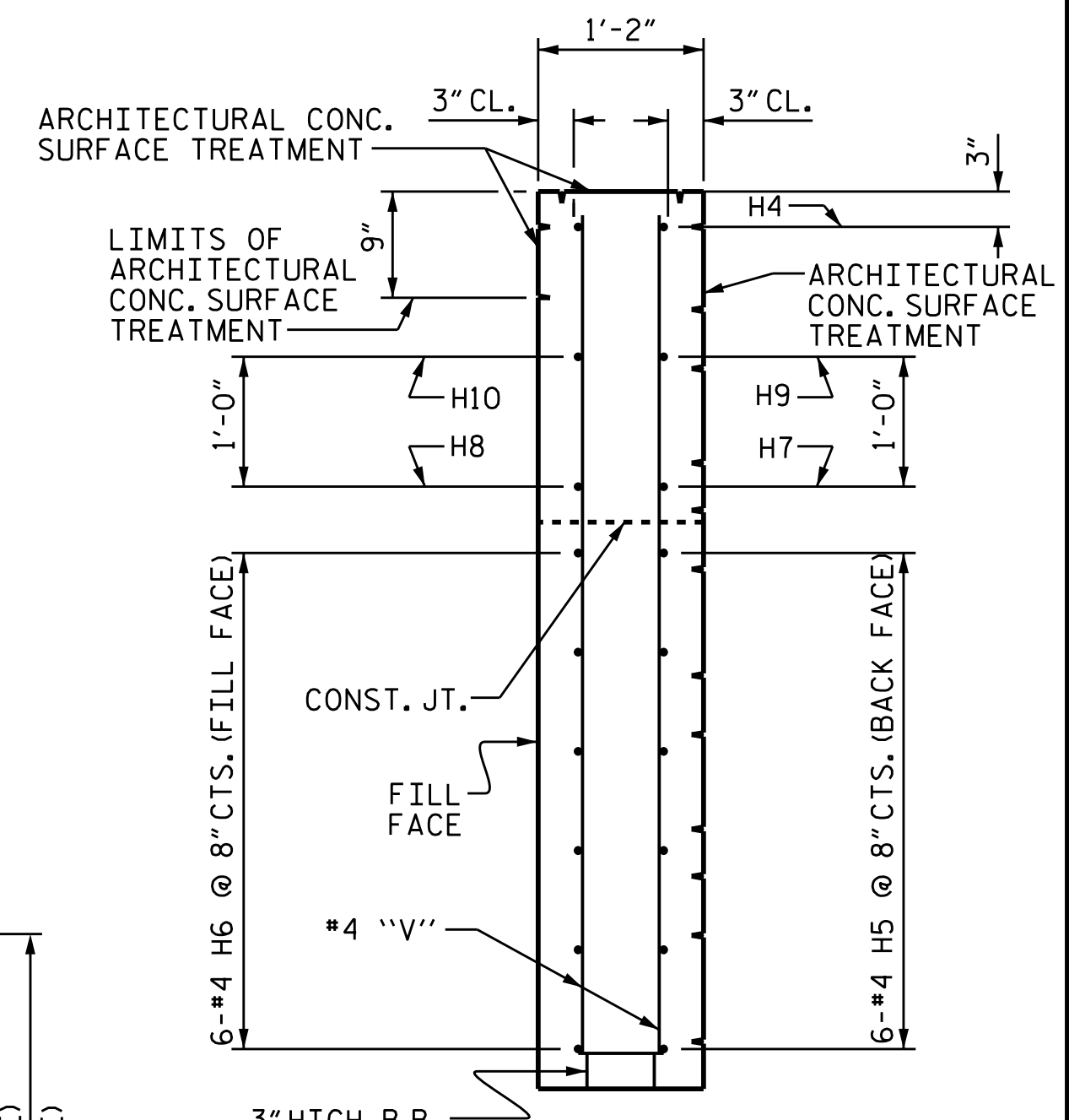
PLAN OF WING (W2)



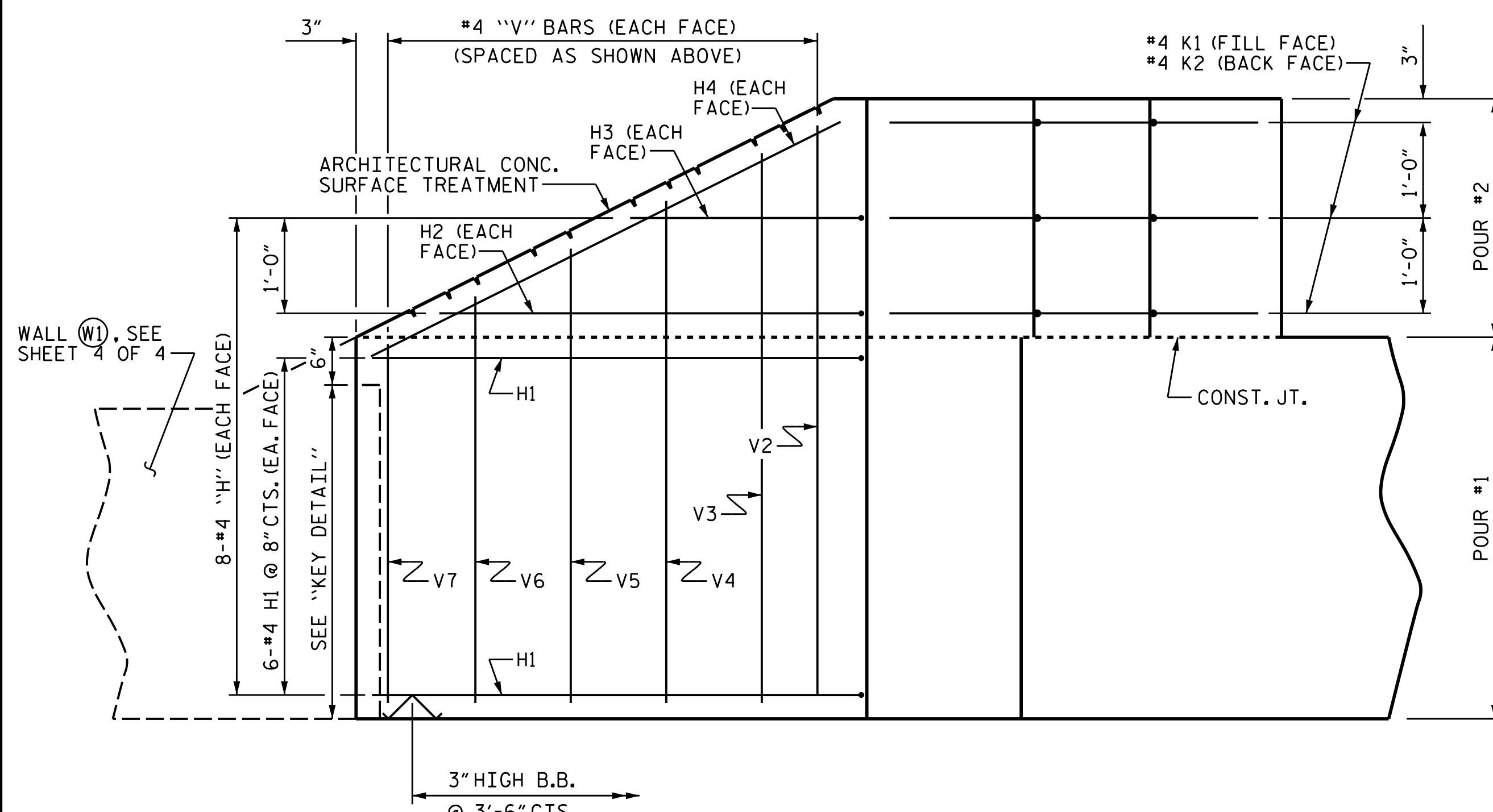
KEY DETAIL



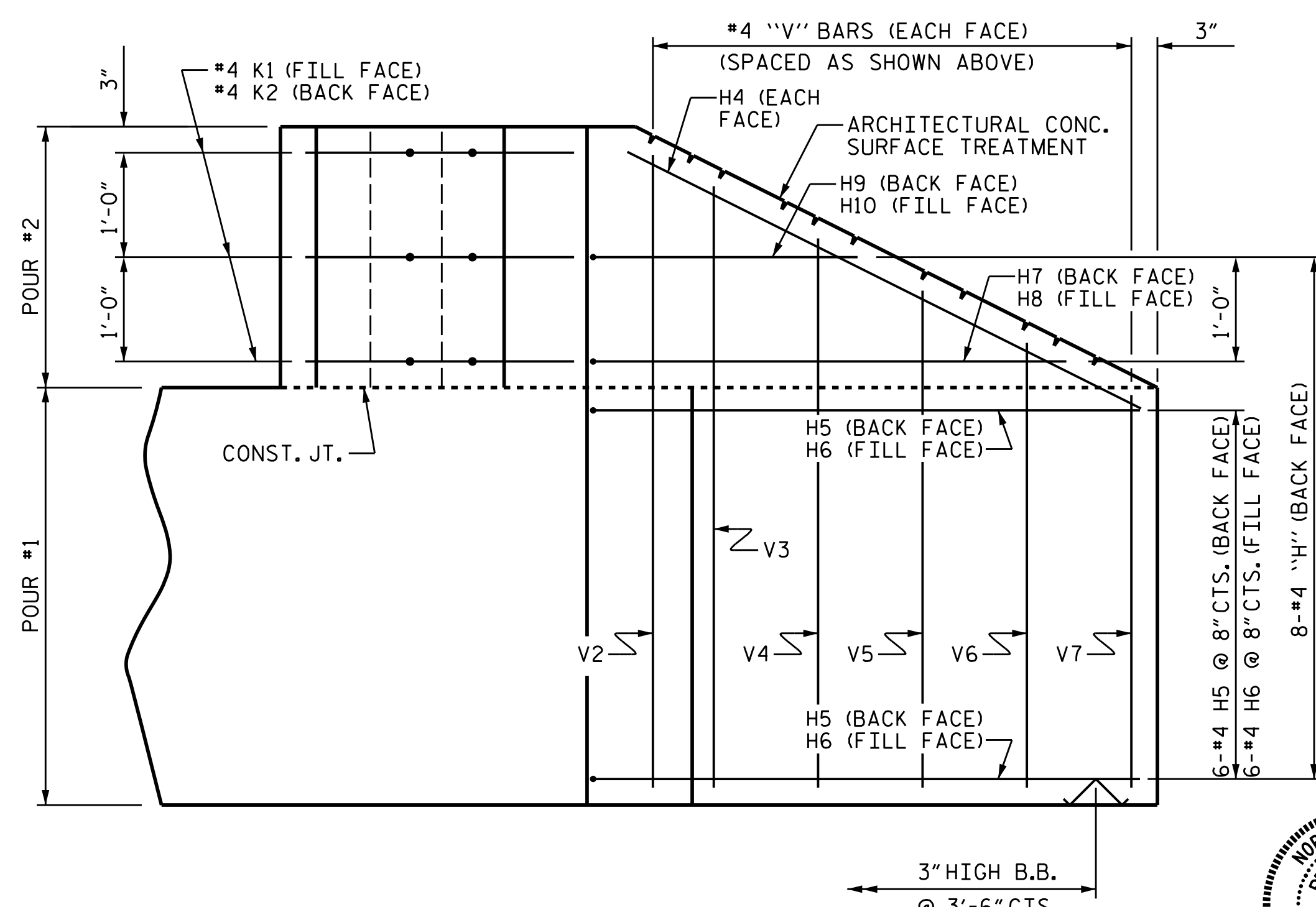
END VIEW (W1)



END VIEW (W2)



ELEVATION OF WING (W1)



ELEVATION OF WING (W2)

WING DETAILS

DRAWN BY : W.J. HARRIS DATE : 2/16
 CHECKED BY : B.N. GRADY DATE : 2/16
 DESIGN ENGINEER OF RECORD: W.J. HARRIS DATE : 4/16

4/19/2016



PROJECT NO. B-5118
 WATAUGA COUNTY
 STATION: 11+91.00 -L-
 SHEET 2 OF 4

STATE OF NORTH CAROLINA DEPARTMENT OF TRANSPORTATION RALEIGH						SHEET NO. S-12
SUBSTRUCTURE END BENT No. 1 WING DETAILS						TOTAL SHEETS 20
REVISIONS						
NO.	BY:	DATE:	NO.	BY:	DATE:	
1			3			
2			4			

DOCUMENT NOT CONSIDERED
 FINAL UNLESS ALL
 SIGNATURES COMPLETED