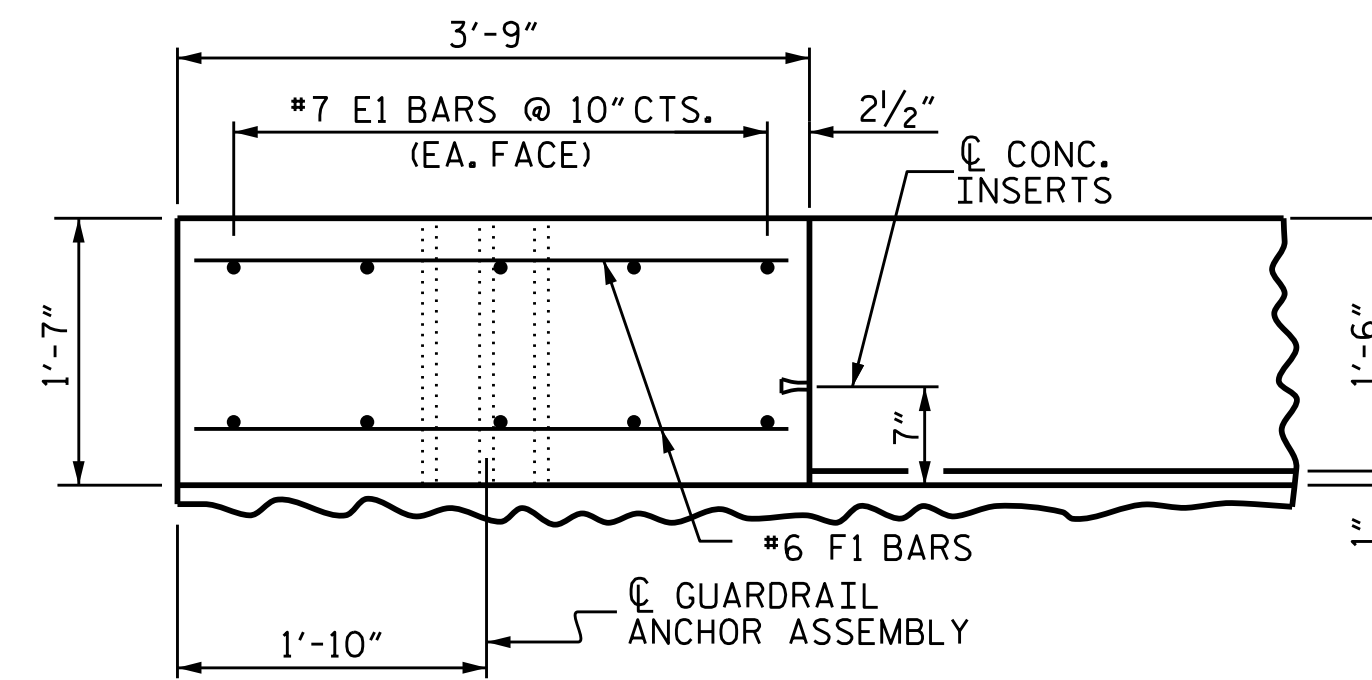
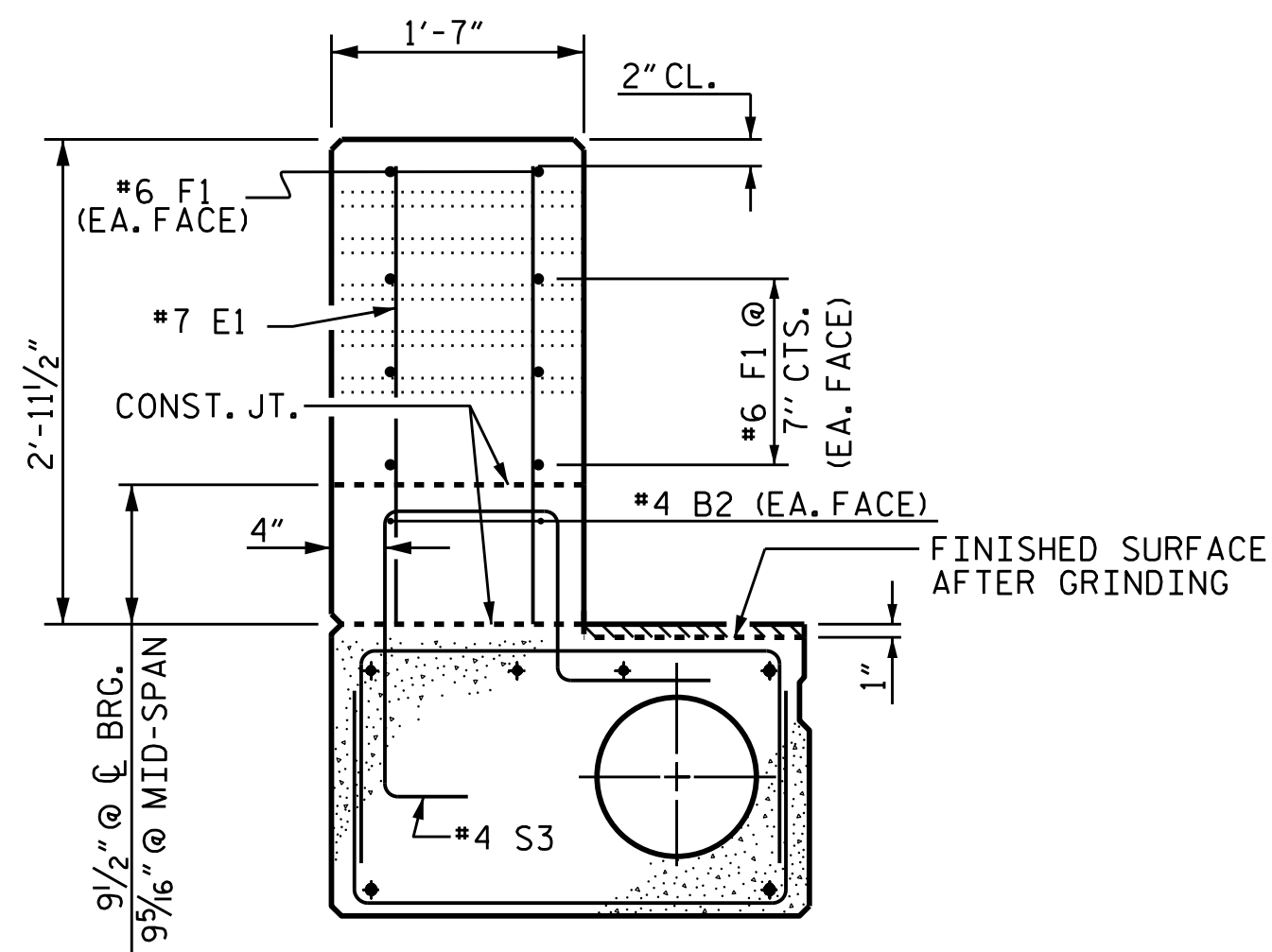


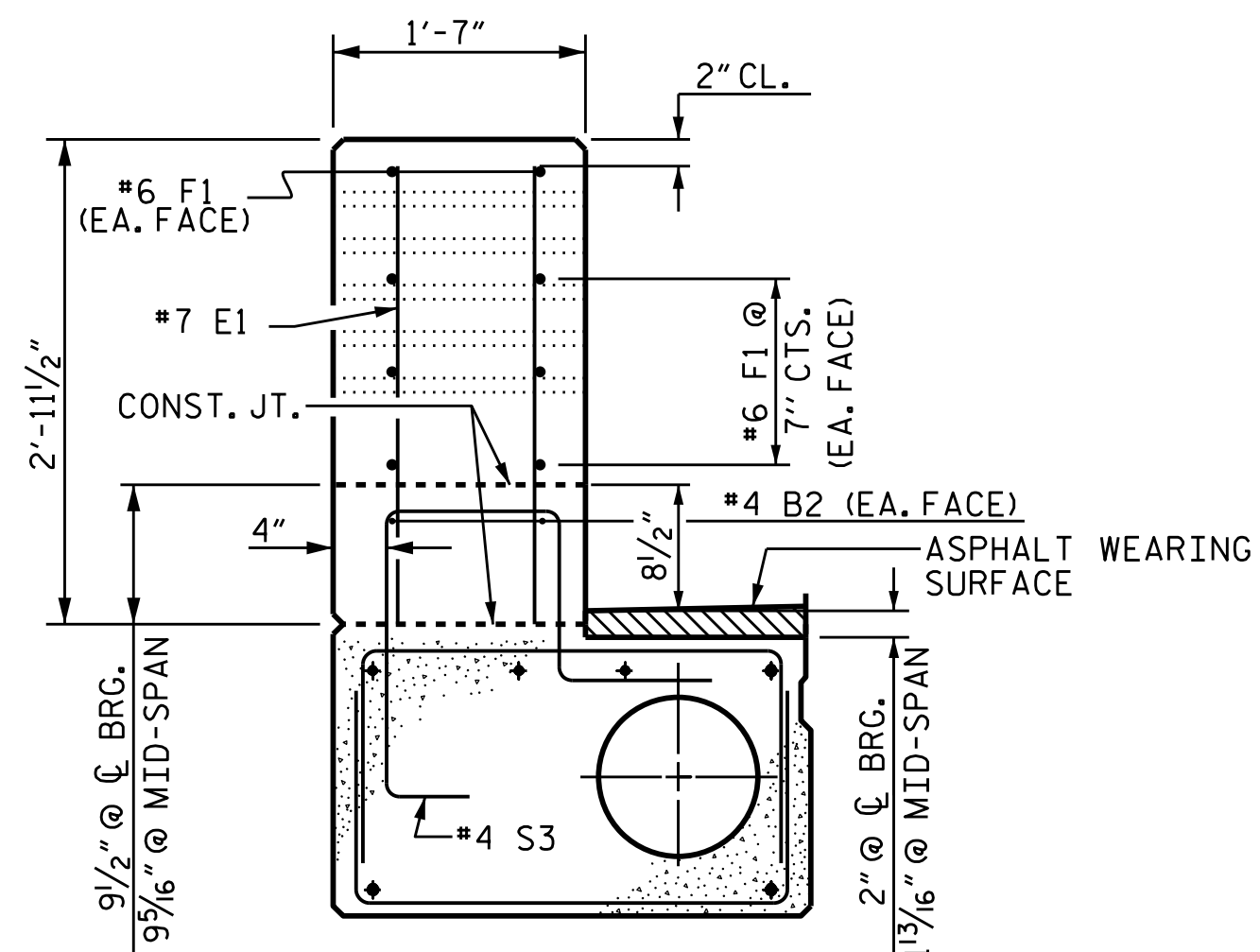
PLAN OF CURB



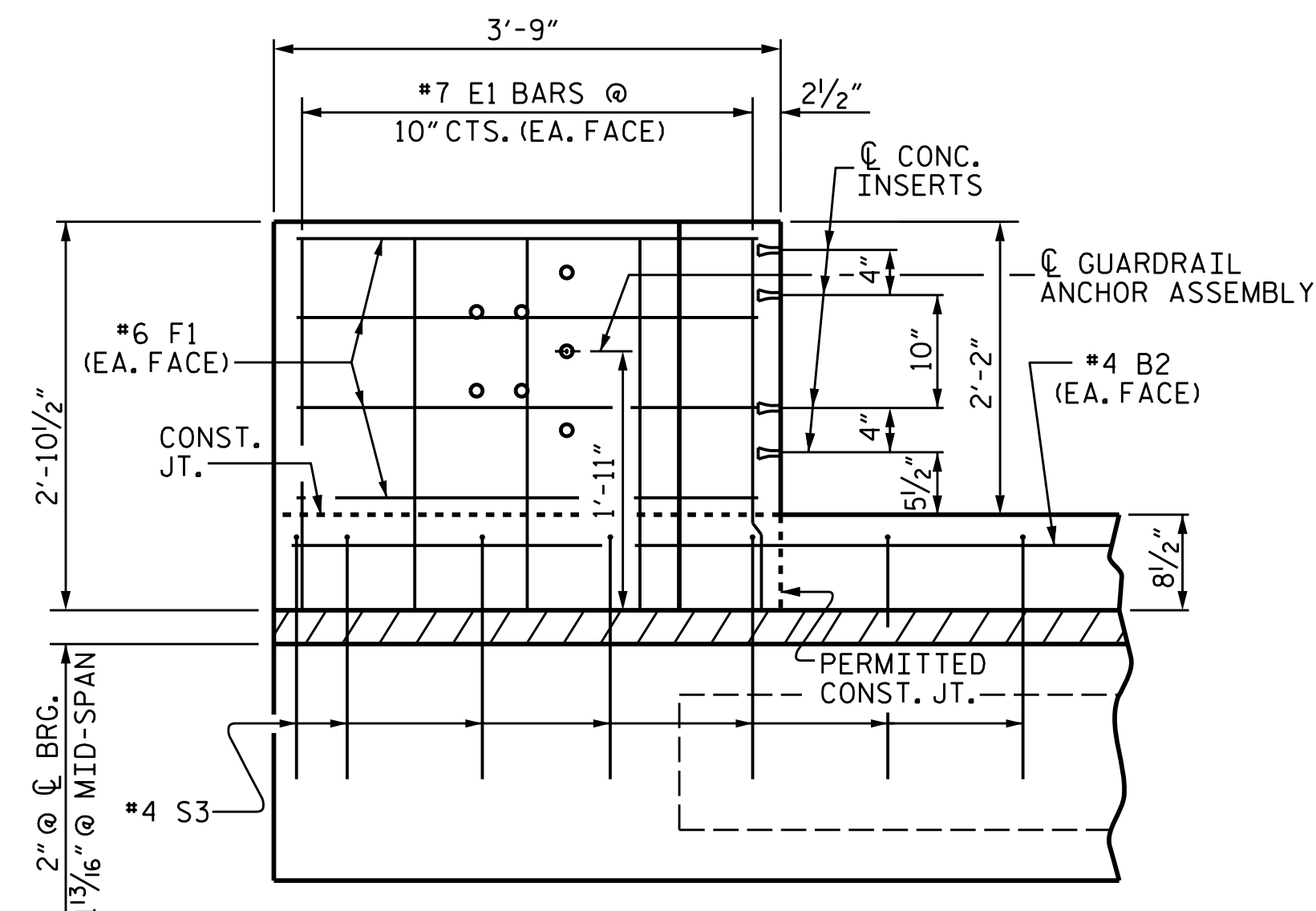
PLAN OF END POST



END VIEW - TEMPORARY



END VIEW - FINAL

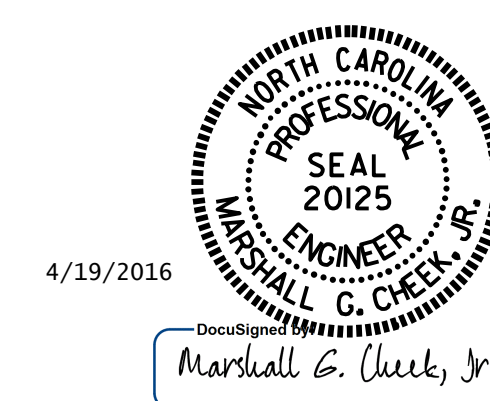


ELEVATION

CURB AND END POST FOR 32" ALASKA RAIL

PROJECT NO. B-5118
WATAUGA COUNTY
 STATION: 11+91.00 -L-

SHEET 4 OF 4



STATE OF NORTH CAROLINA
 DEPARTMENT OF TRANSPORTATION
 RALEIGH

CONCRETE CURB
 AND END POSTS

DRAWN BY: W.J.HARRIS DATE: 2/4/16
 CHECKED BY: M.G.CHEEK DATE: 2/29/16
 DESIGN ENGINEER OF RECORD: S.T.CHAMPION DATE: 4/16

DOCUMENT NOT CONSIDERED
 FINAL UNLESS ALL
 SIGNATURES COMPLETED

REVISIONS						SHEET NO.
NO.	BY:	DATE:	NO.	BY:	DATE:	S-7
1			3			TOTAL SHEETS
2			4			20