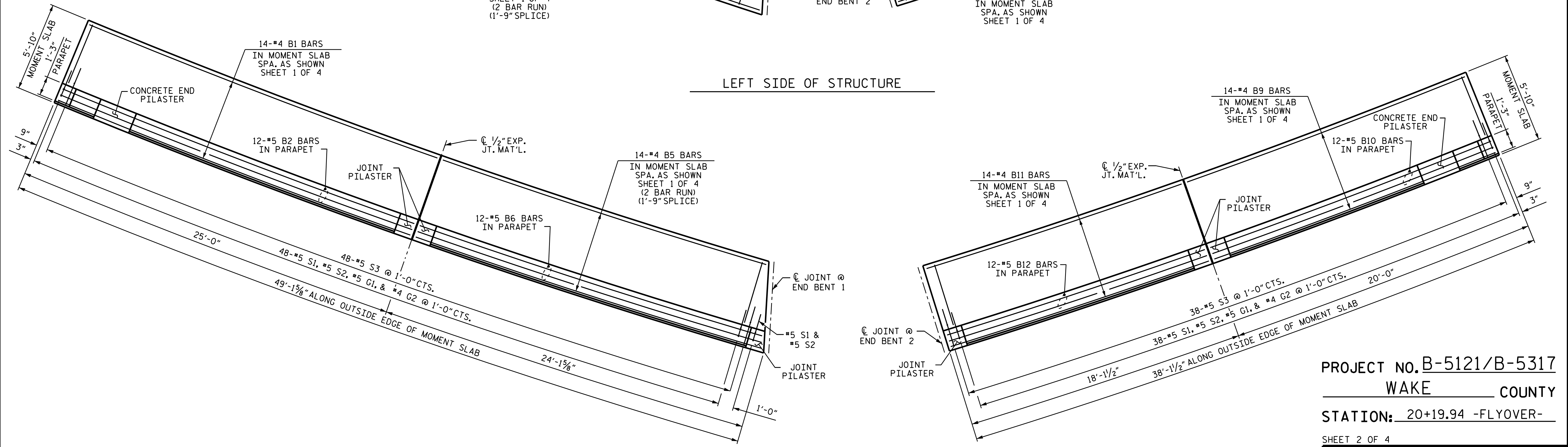


LEFT SIDE OF STRUCTURE



RIGHT SIDE OF STRUCTURE

PLAN OF MOMENT SLAB AND PARAPET

AESTHETIC DETAILS NOT SHOWN FOR CLARITY.  
SEE SHEETS 3 AND 4 OF 4 FOR AESTHETIC DETAILS.  
MOMENT SLAB DETAILS NOT SHOWN FOR CLARITY.

PROJECT NO. B-5121/B-5317  
WAKE COUNTY  
STATION: 20+19.94 -FLYOVER-  
SHEET 2 OF 4



STATE OF NORTH CAROLINA  
DEPARTMENT OF TRANSPORTATION  
RALEIGH

MOMENT SLAB

DRAWN BY :	K.W. ALFORD	DATE :	2/2016
CHECKED BY :	I.L. AVERETTE	DATE :	2/2016
DESIGN ENGINEER OF RECORD:	K.W. ALFORD	DATE :	2/2016

DOCUMENT NOT CONSIDERED  
FINAL UNLESS ALL  
SIGNATURES COMPLETED

REVISIONS						SHEET NO.
NO.	BY:	DATE:	NO.	BY:	DATE:	S-103
1			3			TOTAL SHEETS 110
2			4			