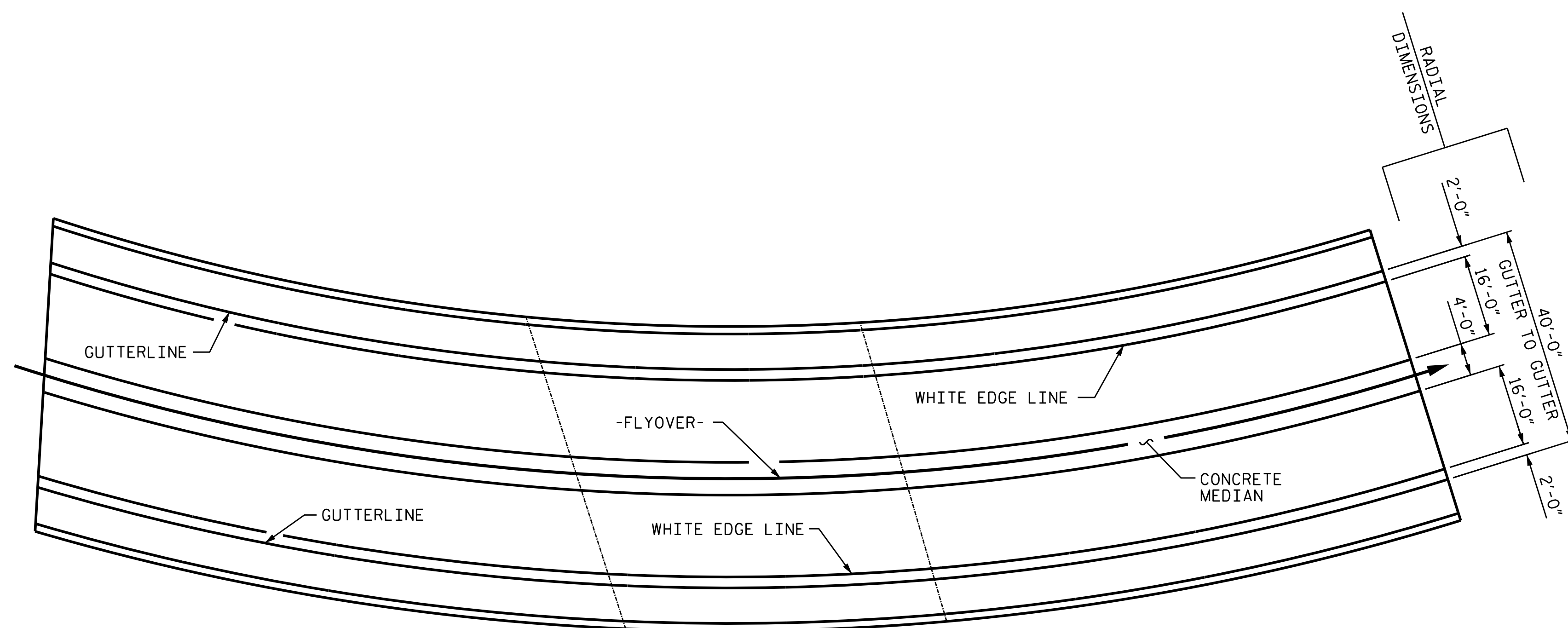


END VIEW
(NORMAL TO SIDEWALK)

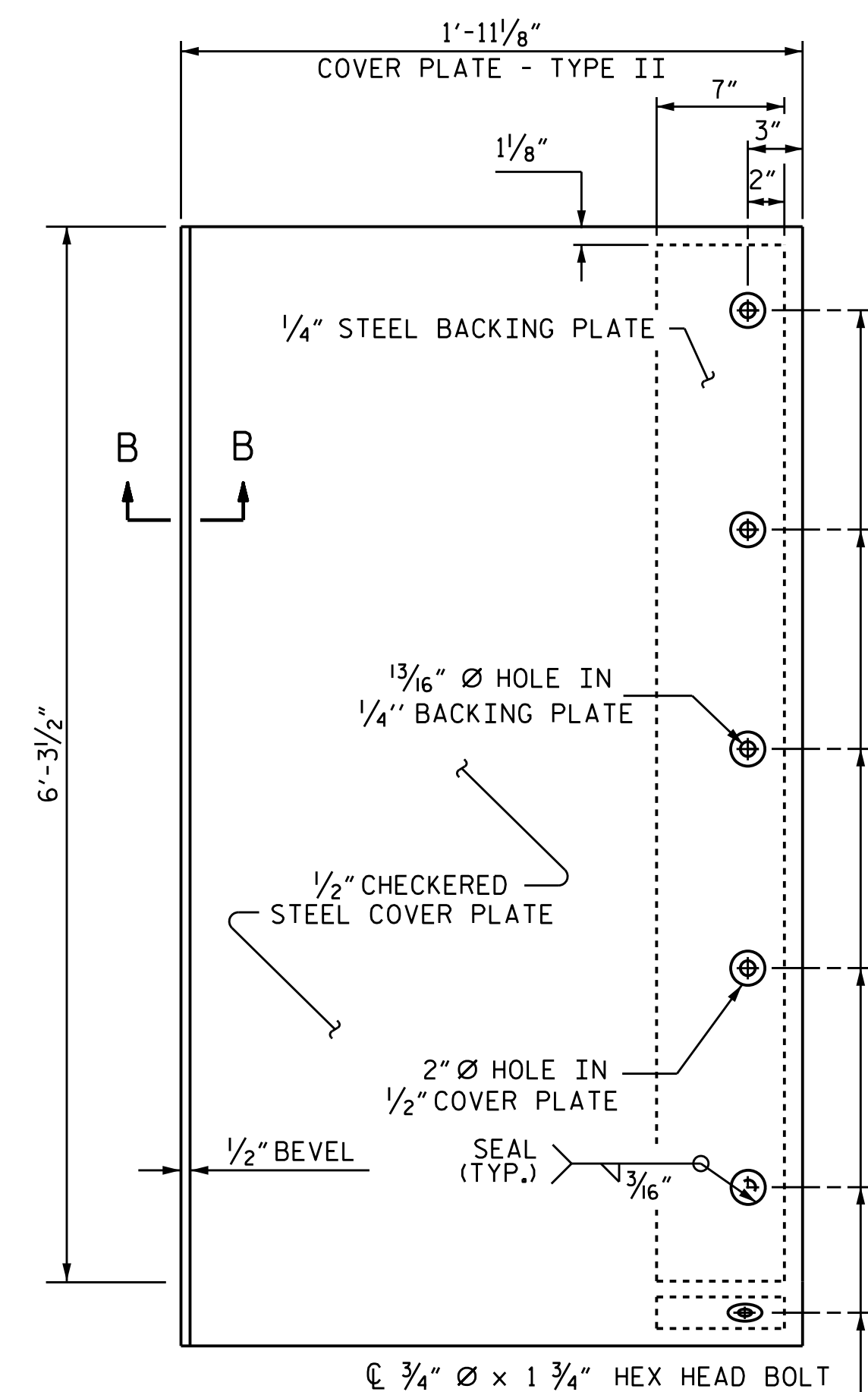
* CONCRETE RECESS DIMENSIONS:

1 3/16 inch FOR THE SIDE OF THE JOINT HAVING THE 1/2 inch COVER PLATE WITH A 1/4 inch BACKING PLATE.

9/16 inch FOR THE SIDE OF THE JOINT HAVING ONLY THE 1/2 inch COVER PLATE.

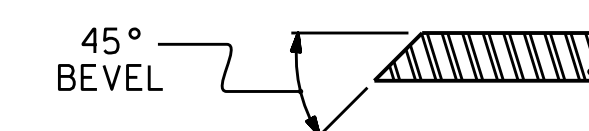


PAVEMENT MARKING ALIGNMENT

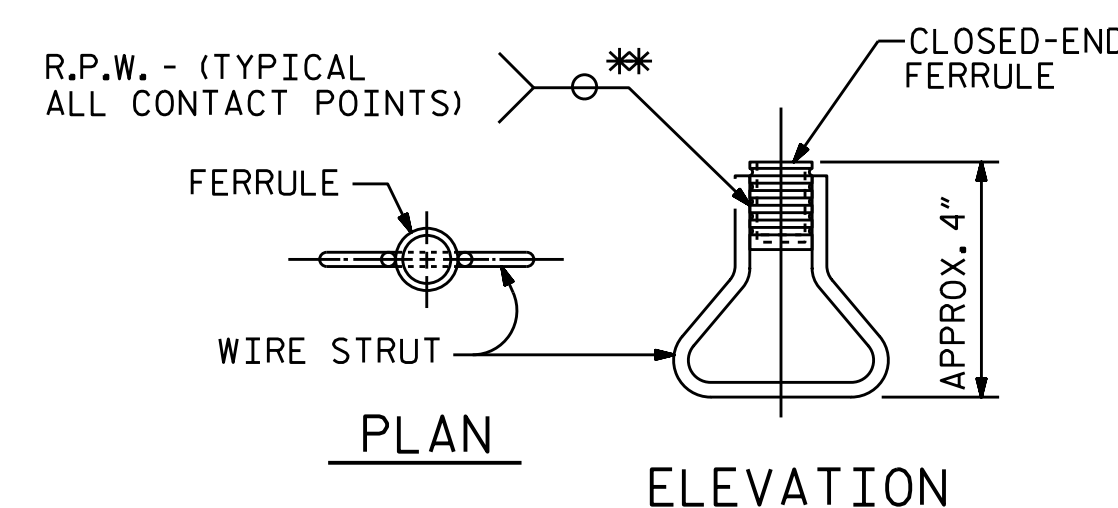


TYPE II - PLAN VIEW

COVER PLATE DETAILS



SECTION B - B



CONCRETE INSERT

* EACH WELDED ATTACHMENT OF WIRE TO FERRULE SHALL DEVELOP THE TENSILE STRENGTH OF THE WIRE.



DocuSigned by:
Westy W. Alford
4/13/2016

PROJECT NO. B-5121/B-5317
WAKE COUNTY
STATION: 20+19.94 -FLYOVER-
SHEET 5 OF 5

STATE OF NORTH CAROLINA
DEPARTMENT OF TRANSPORTATION
RALEIGH
STANDARD
EXPANSION JOINT
SEAL DETAILS
FOR SIDEWALK
(END BENT 2)

REVISIONS						SHEET NO.	
NO.	BY:	DATE:	NO.	BY:	DATE:	S-86	
1			3			TOTAL SHEETS 110	
2			4				

ASSEMBLED BY : J.P. ADAMS	DATE : 1/2016
CHECKED BY : T.L. AVERETTE	DATE : 2/2016
DRAWN BY : REK 10/87	REV. 10/17/00 RWW/LES
CHECKED BY : CRK 1/88	REV. 5/11/06 TLA/GM
	REV. 10/1/11 MAA/GM

DOCUMENT NOT CONSIDERED
FINAL UNLESS ALL
SIGNATURES COMPLETED