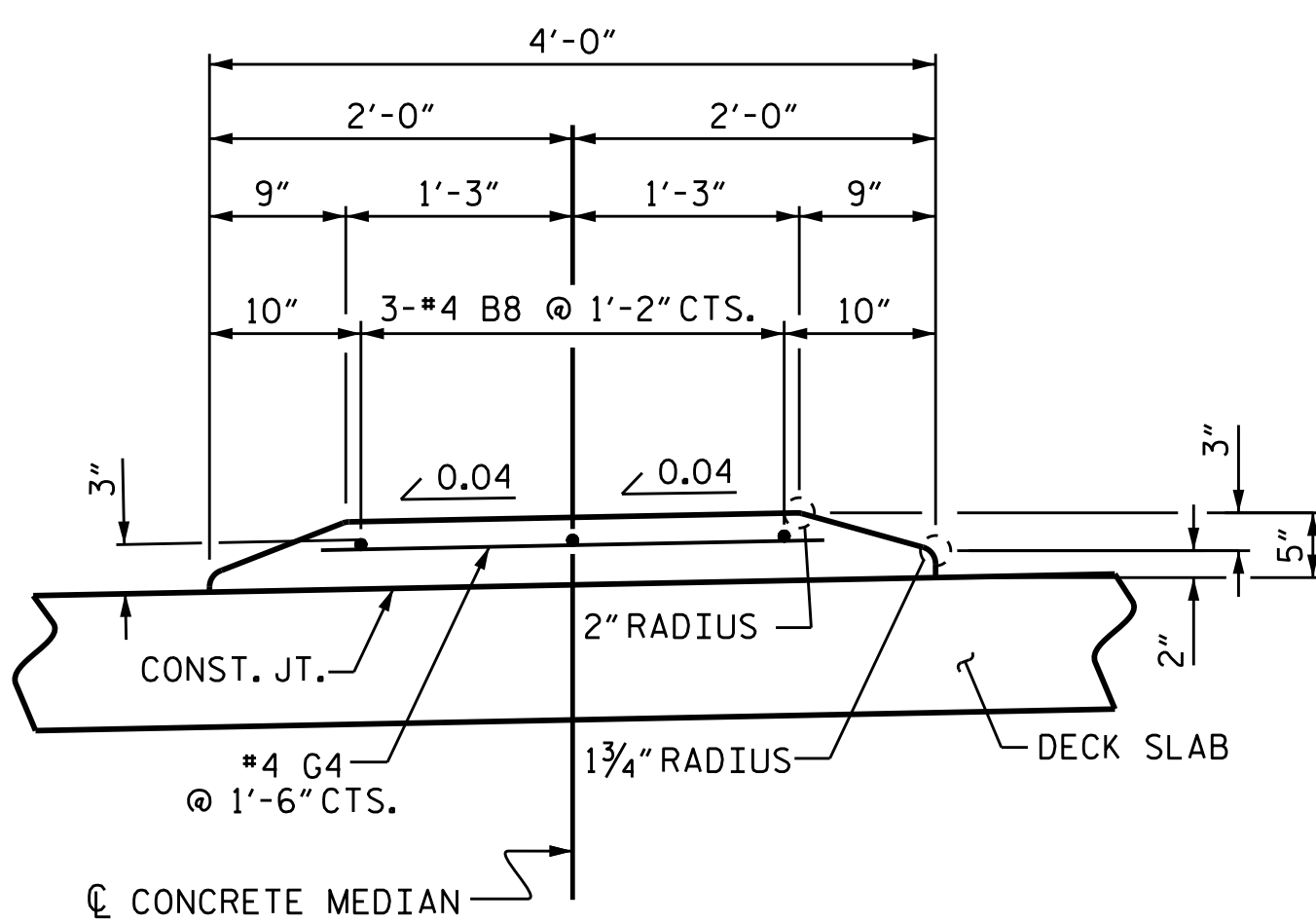
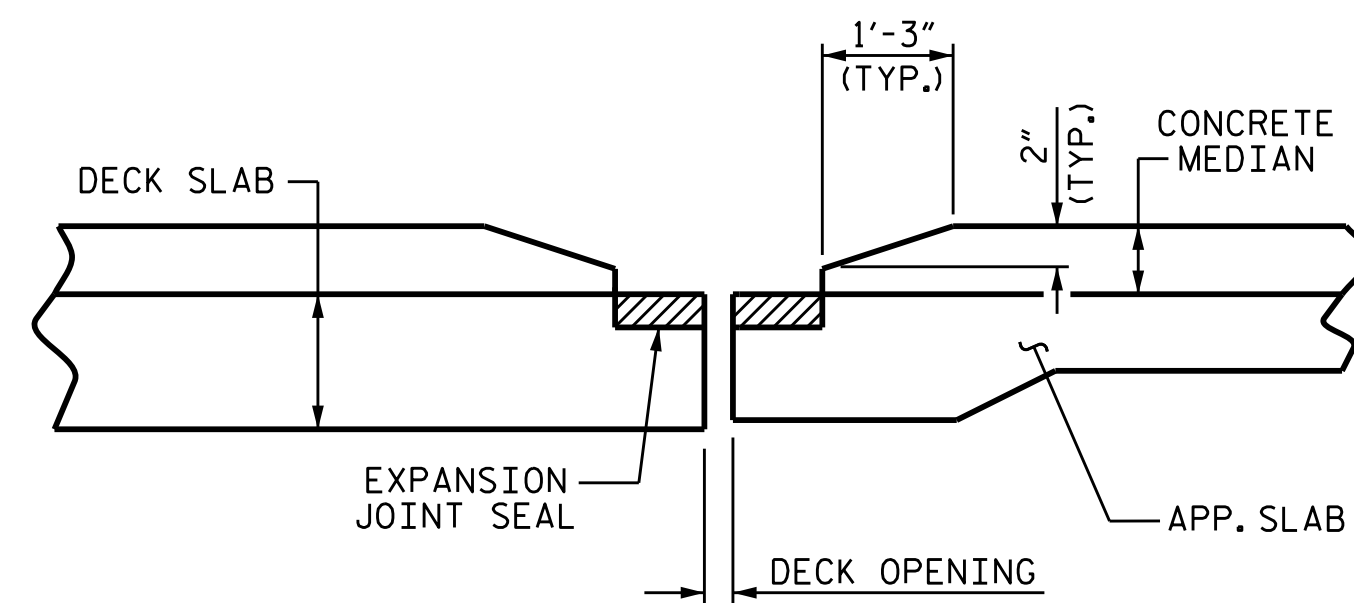


**PLAN OF CONCRETE MEDIAN**



**REINFORCING STEEL DETAILS**



**SECTION AT EXPANSION JOINT**

**CONCRETE MEDIAN DETAILS**

**NOTES**

GROOVED CONTRACTION JOINTS, 1/2" IN DEPTH, SHALL BE TOOLED IN ALL EXPOSED FACES OF THE MEDIAN IN ACCORDANCE WITH ARTICLE 825-10(B) OF THE STANDARD SPECIFICATIONS. THE CONTRACTION JOINTS SHALL BE LOCATED AT A SPACING OF 8 FT. TO 10 FT. BETWEEN EXPANSION JOINTS. NO CONTRACTION JOINT WILL BE REQUIRED FOR SEGMENTS LESS THAN 10 FT. IN LENGTH.

ALL REINFORCING STEEL IN THE CONCRETE MEDIAN SHALL BE EPOXY COATED.

FOR CONCRETE MEDIAN REINFORCING STEEL AND CONCRETE QUANTITIES, SEE SUPERSTRUCTURE "BILL OF MATERIAL."

FOR CONCRETE MEDIAN ON APPROACH SLAB, SEE APPROACH SLAB SHEETS.

FIELD BEND "B" BARS AS NECESSARY.

PROJECT NO. **B-5121/B-5317**  
**WAKE** COUNTY  
 STATION: **20+19.94 -FLYOVER-**



STATE OF NORTH CAROLINA  
 DEPARTMENT OF TRANSPORTATION  
 RALEIGH  
 SUPERSTRUCTURE  
 CONCRETE MEDIAN

DRAWN BY : J.P. ADAMS DATE : 1/2016  
 CHECKED BY : I.L. AVERETTE DATE : 2/2016  
 DESIGN ENGINEER OF RECORD: R.L. CHESSON DATE : 2/2016

DOCUMENT NOT CONSIDERED  
 FINAL UNLESS ALL  
 SIGNATURES COMPLETED

REVISIONS						SHEET NO.
NO.	BY:	DATE:	NO.	BY:	DATE:	S-81
1			3			TOTAL SHEETS
2			4			110