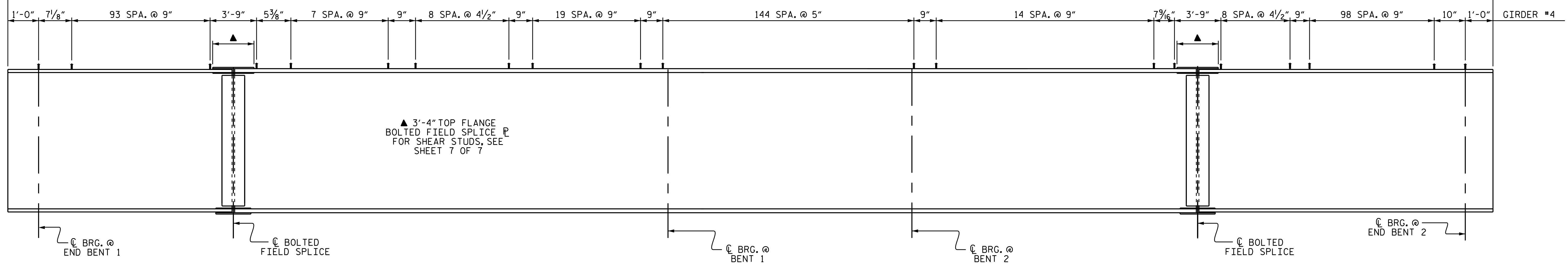
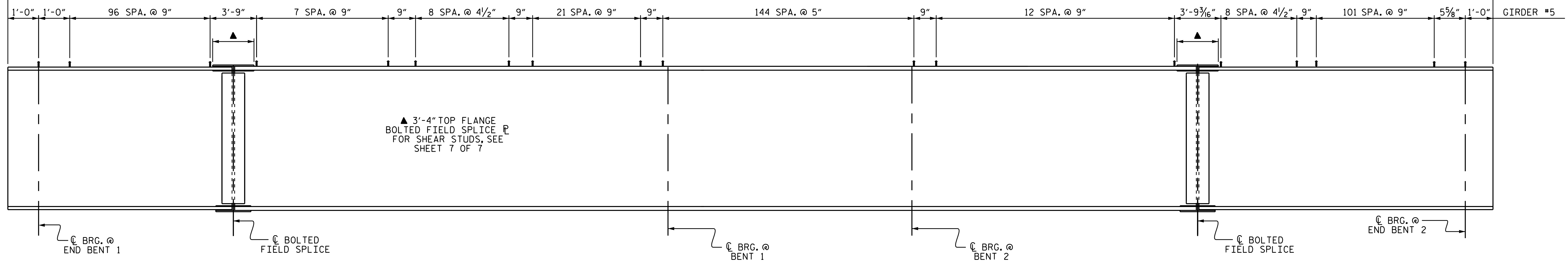


403 ROWS OF 3/4" Ø X 5" SHEAR STUDS ( 5 STUDS PER ROW )  
 TOTAL NUMBER OF SHEAR STUDS = 2015

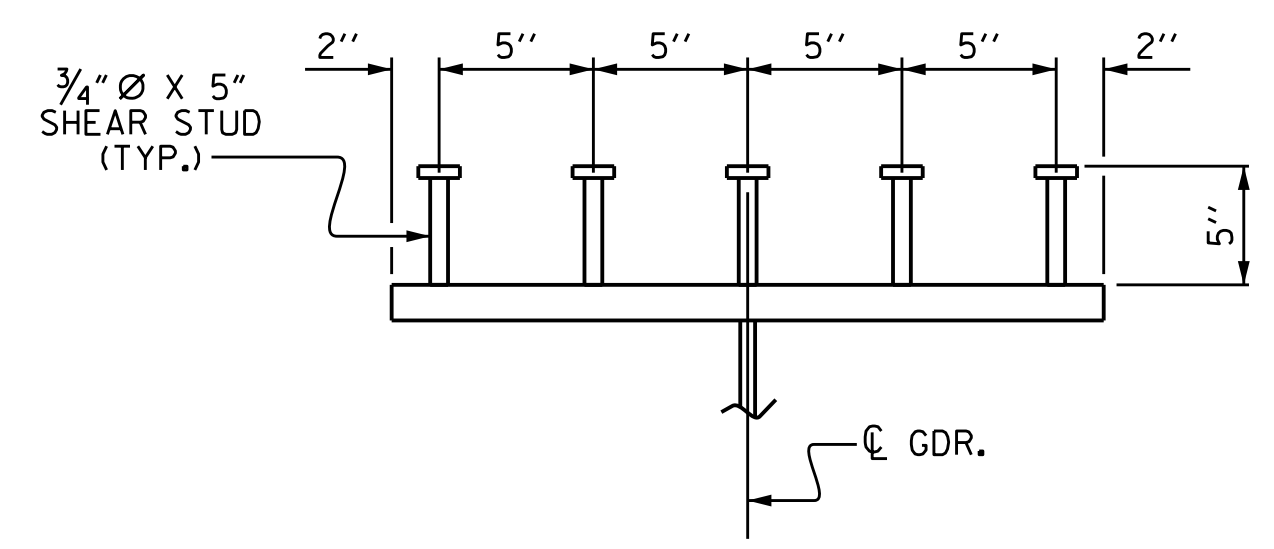


**SHEAR STUD LOCATIONS FOR GIRDER #4**

407 ROWS OF 3/4" Ø X 5" SHEAR STUDS ( 5 STUDS PER ROW )  
 TOTAL NUMBER OF SHEAR STUDS = 2035

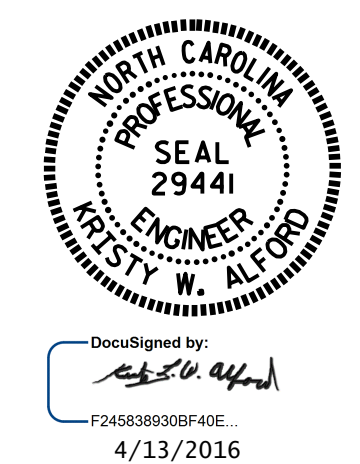


**SHEAR STUD LOCATIONS FOR GIRDER #5**



**SHEAR STUD DETAIL**  
 TYPICAL EXCEPT @ BOLTED FIELD SPLICE

PROJECT NO. B-5121/B-5317  
WAKE COUNTY  
 STATION: 20+19.94 -FLYOVER-  
 SHEET 3 OF 7



STATE OF NORTH CAROLINA  
 DEPARTMENT OF TRANSPORTATION  
 RALEIGH  
**SUPERSTRUCTURE**  
**STRUCTURAL STEEL**  
**DETAILS**

DRAWN BY :	J.P. ADAMS	DATE :	12/2015
CHECKED BY :	I.L. AVERETTE	DATE :	2/2016
DESIGN ENGINEER OF RECORD:	R.L. CHESSON	DATE :	2/2016

DOCUMENT NOT CONSIDERED  
 FINAL UNLESS ALL  
 SIGNATURES COMPLETED

REVISIONS						SHEET NO.
NO.	BY:	DATE:	NO.	BY:	DATE:	TOTAL SHEETS
1			3			S-62
2			4			110