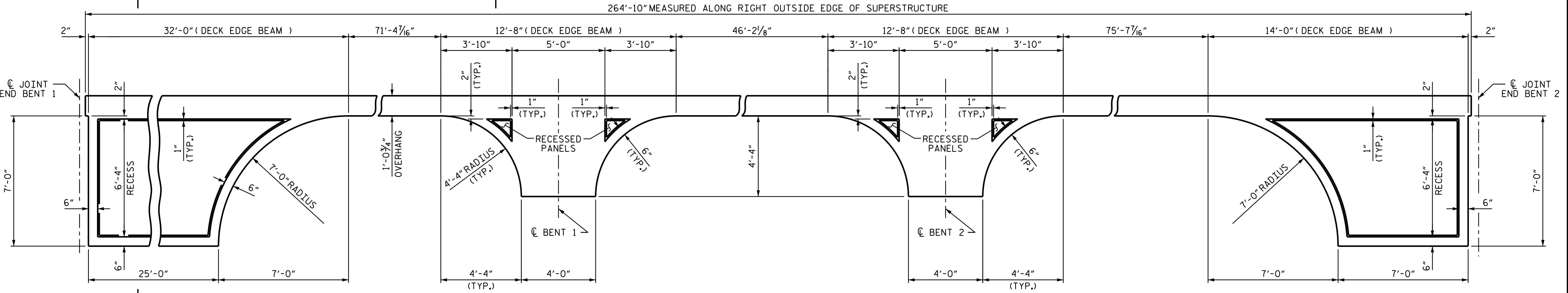


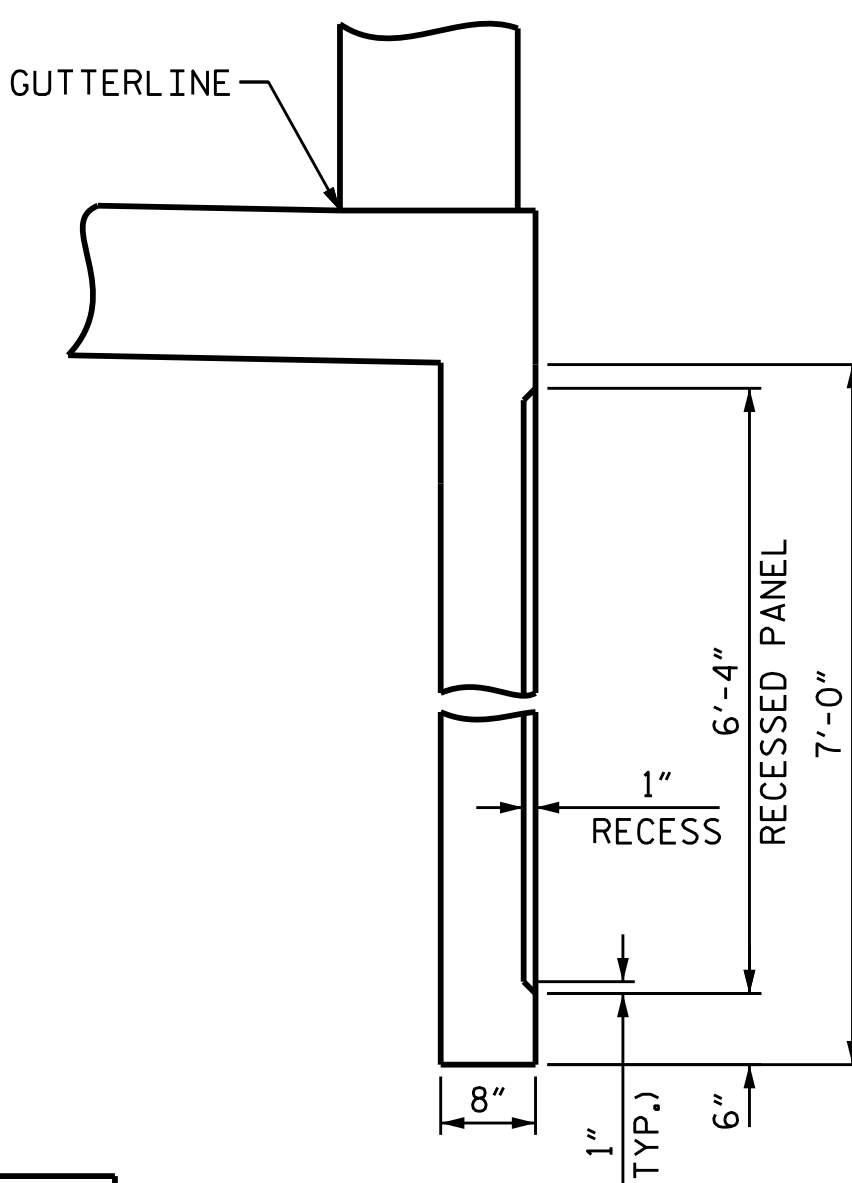
**ELEVATION VIEW**

SHOWN ALONG EXTERIOR FACE OF LEFT SIDE OF STRUCTURE

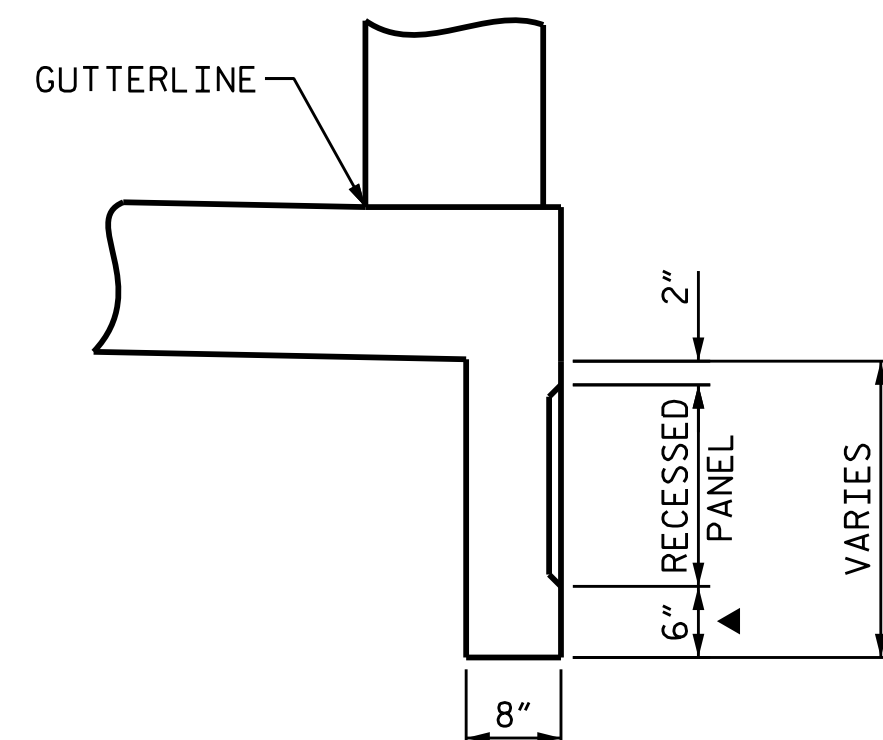


**ELEVATION VIEW**

SHOWN ALONG EXTERIOR FACE OF RIGHT SIDE OF STRUCTURE



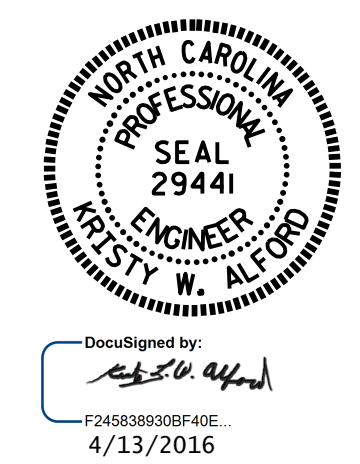
**SECTION A-A**



**SECTION B-B**

▲ MEASURED PERPENDICULAR TO BOTTOM OF DECK EDGE BEAM

DRAWN BY : K.W. ALFORD DATE : 2/2016  
 CHECKED BY : I.L. AVERETTE DATE : 2/2016  
 DESIGN ENGINEER OF RECORD : K.W. ALFORD DATE : 2/2016



PROJECT NO. B-5121/B-5317  
WAKE COUNTY  
 STATION: 20+19.94 -FLYOVER-

SHEET 3 OF 3

STATE OF NORTH CAROLINA  
 DEPARTMENT OF TRANSPORTATION  
 RALEIGH  
 SUPERSTRUCTURE  
 DECK EDGE BEAM

| REVISIONS |     |       |     |     |       | SHEET NO.        |  |
|-----------|-----|-------|-----|-----|-------|------------------|--|
| NO.       | BY: | DATE: | NO. | BY: | DATE: | S-55             |  |
| 1         |     |       | 3   |     |       | TOTAL SHEETS 110 |  |
| 2         |     |       | 4   |     |       |                  |  |

STR. #2