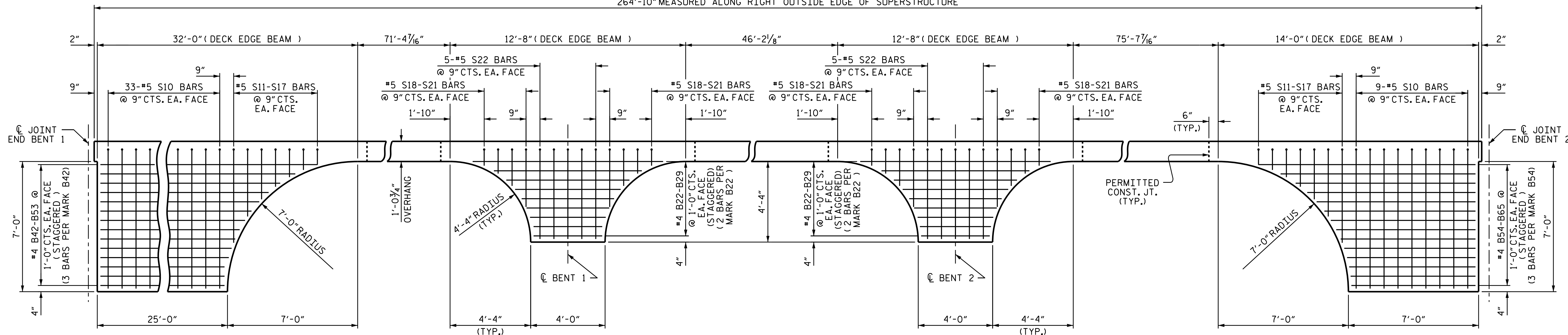
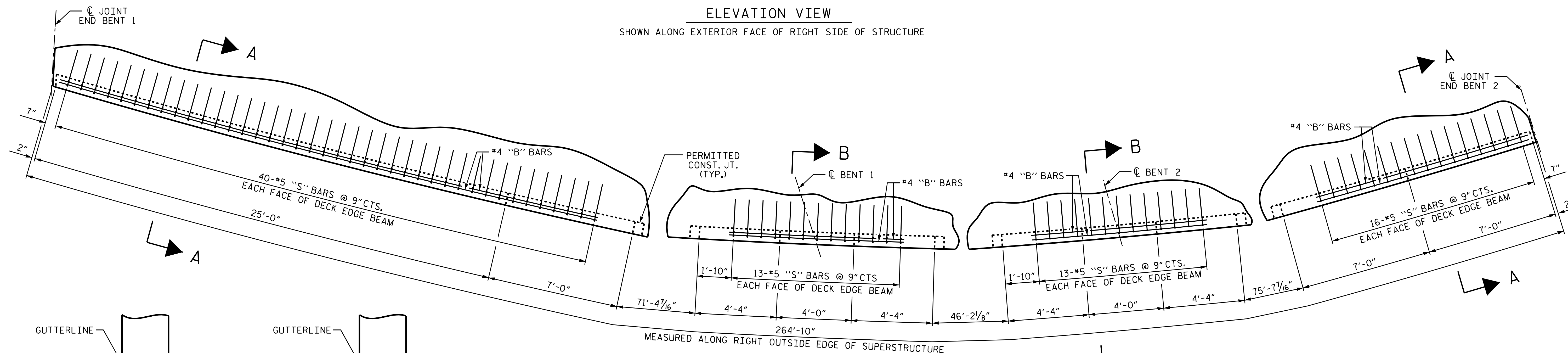


264'-10" MEASURED ALONG RIGHT OUTSIDE EDGE OF SUPERSTRUCTURE

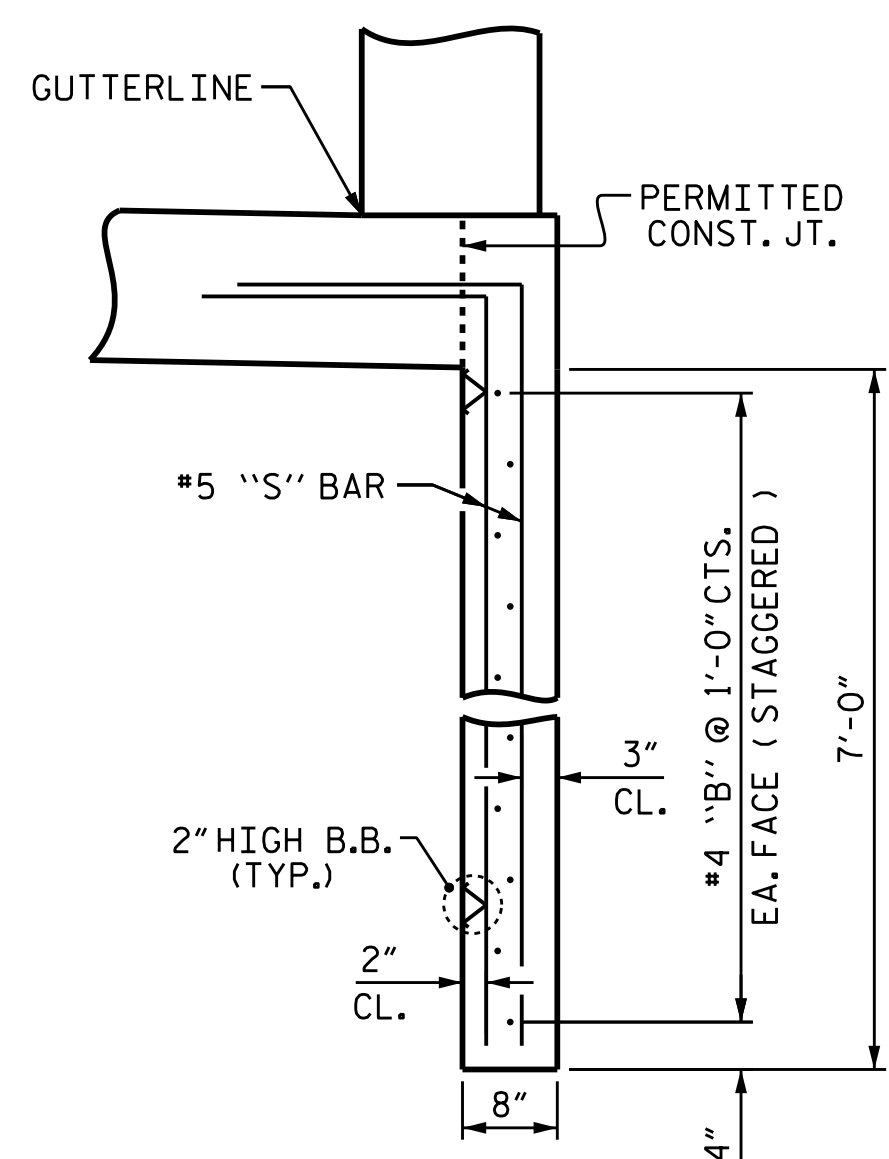


ELEVATION VIEW

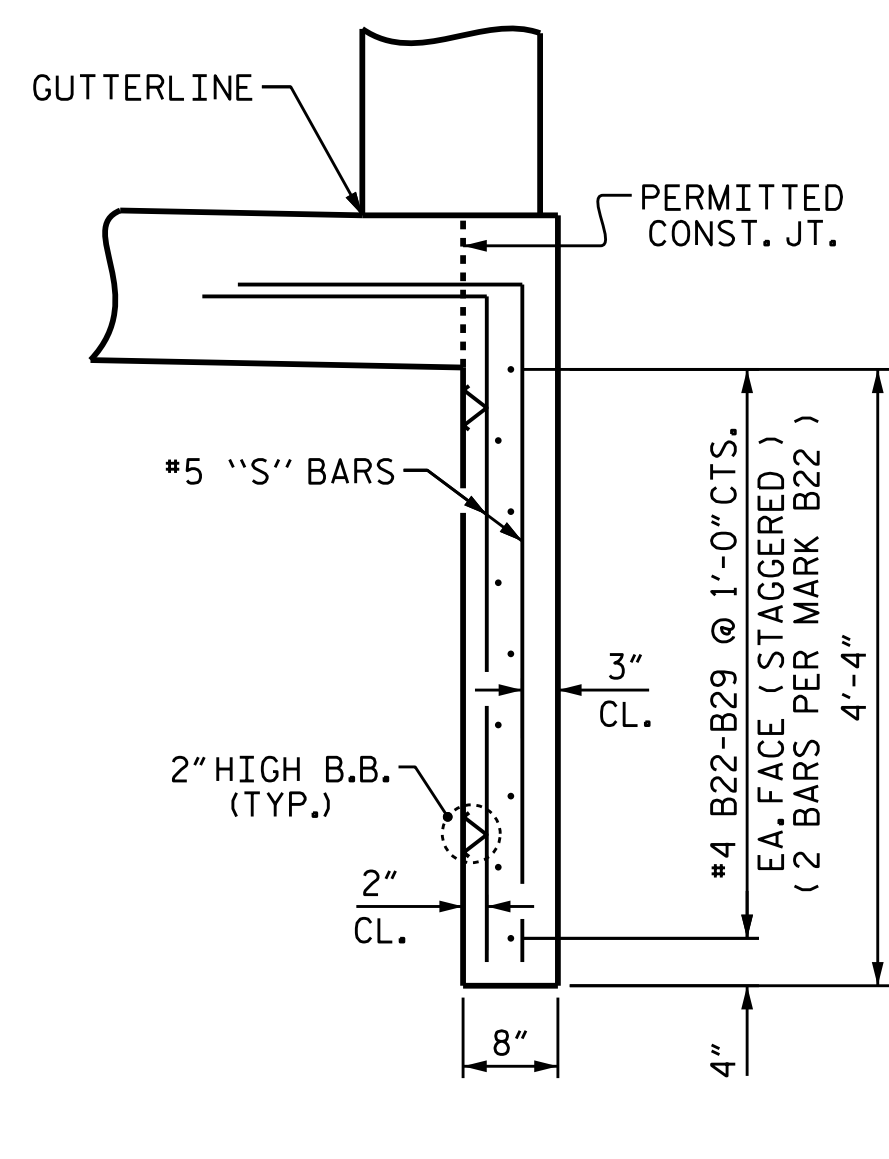
SHOWN ALONG EXTERIOR FACE OF RIGHT SIDE OF STRUCTURE



PLAN VIEW



SECTION A-A



SECTION B-B

NOTES:

- DECK EDGE BEAMS SHALL BE CAST WITH THE DECK. NO CONSTRUCTION JOINT SHALL BE ALLOWED BETWEEN THE DECK EDGE BEAMS AND THE DECK, EXCEPT AS SHOWN.
- AESTHETIC DETAILS NOT SHOWN FOR CLARITY. SEE SHEET 3 OF 3 FOR AESTHETIC DETAILS.
- DECK REINFORCING STEEL NOT SHOWN FOR CLARITY. SEE "PLAN OF SPANS" SHEETS.
- CONCRETE PARAPET DETAILS NOT SHOWN FOR CLARITY. SEE "CONCRETE PARAPET" SHEETS.
- FORMED HOLES FOR PRECAST PANELS NOT SHOWN FOR CLARITY. REINFORCING STEEL MAY BE SHIFTED SLIGHTLY TO AVOID INTERFERENCE WITH PRECAST PANEL ANCHORAGE. SEE "PRECAST PANEL" SHEETS.

PROJECT NO. B-5121/B-5317  
 WAKE COUNTY  
 STATION: 20+19.94 -FLYOVER-

SHEET 2 OF 3



STATE OF NORTH CAROLINA  
 DEPARTMENT OF TRANSPORTATION  
 RALEIGH  
 SUPERSTRUCTURE  
 DECK EDGE BEAM

DRAWN BY : K.W. ALFORD DATE : 2/2016  
 CHECKED BY : J.L. AVERETTE DATE : 2/2016  
 DESIGN ENGINEER OF RECORD : K.W. ALFORD DATE : 2/2016

DOCUMENT NOT CONSIDERED FINAL UNLESS ALL SIGNATURES COMPLETED

REVISIONS						SHEET NO.
NO.	BY:	DATE:	NO.	BY:	DATE:	S-54
1			3			TOTAL SHEETS
2			4			110