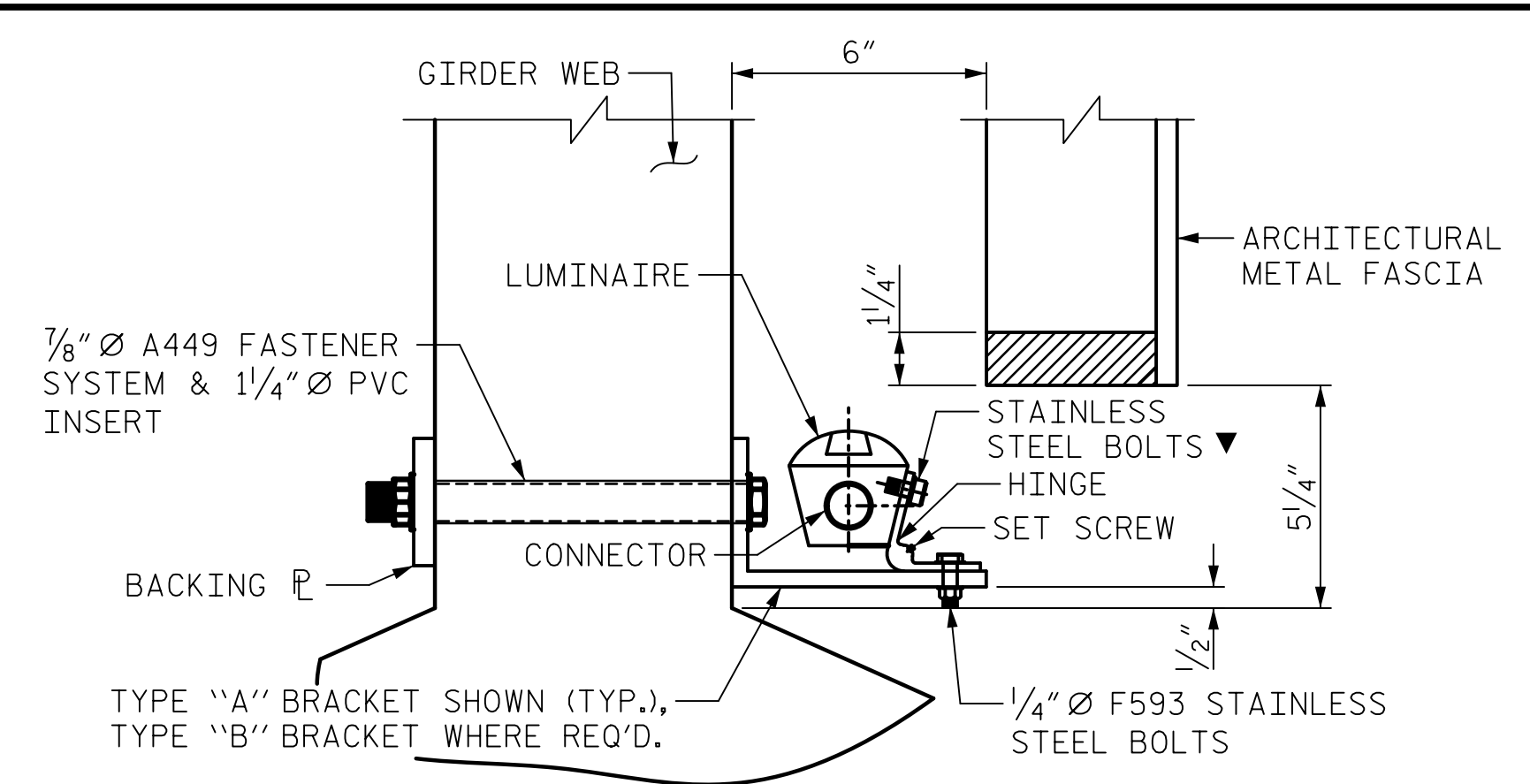


NOTE: LUMINAIRE AND CONNECTION BRACKETS MAY BE ADJUSTED BY THE FOLLOWING LIMITS TO CLEAR PANEL SUPPORT BRACKETS, DIAPHRAGMS AND OTHER CONFLICTS. JUMPER CABLE LENGTH IS DEPENDENT ON LUMINAIRE SPACING. LONGER JUMPER CABLES WILL BE REQUIRED FOR LUMINAIRE SPACING EXCEEDING 4'-4".

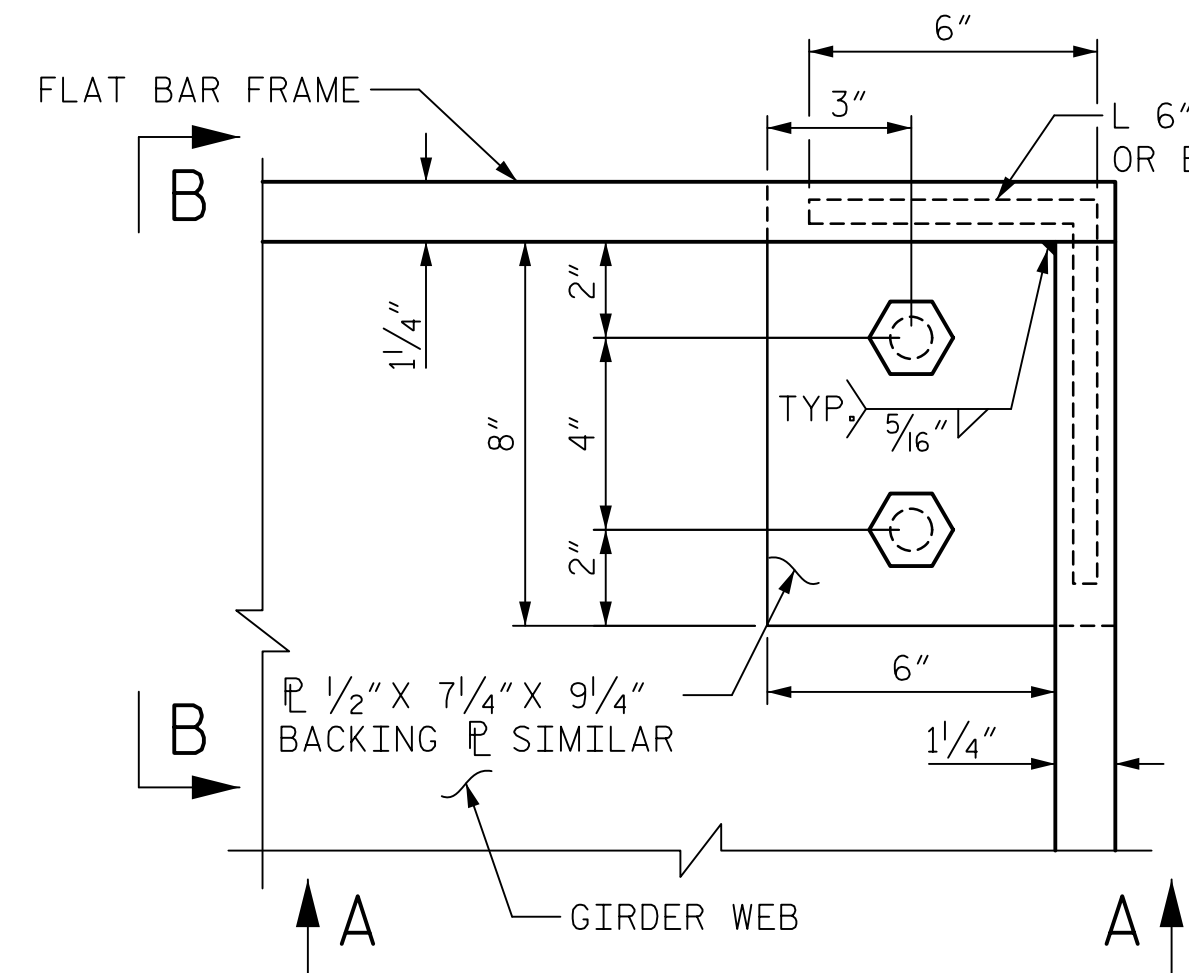
▲ 3'-0" MAX.; 1'-7" MIN.
 ★ 1'-6" MAX.; 1/4" MIN.
 * 4'-6" MAX.; 4'-0 1/4" MIN.
 ** 1'-6" MAX.; 6" MIN.

ELEVATION



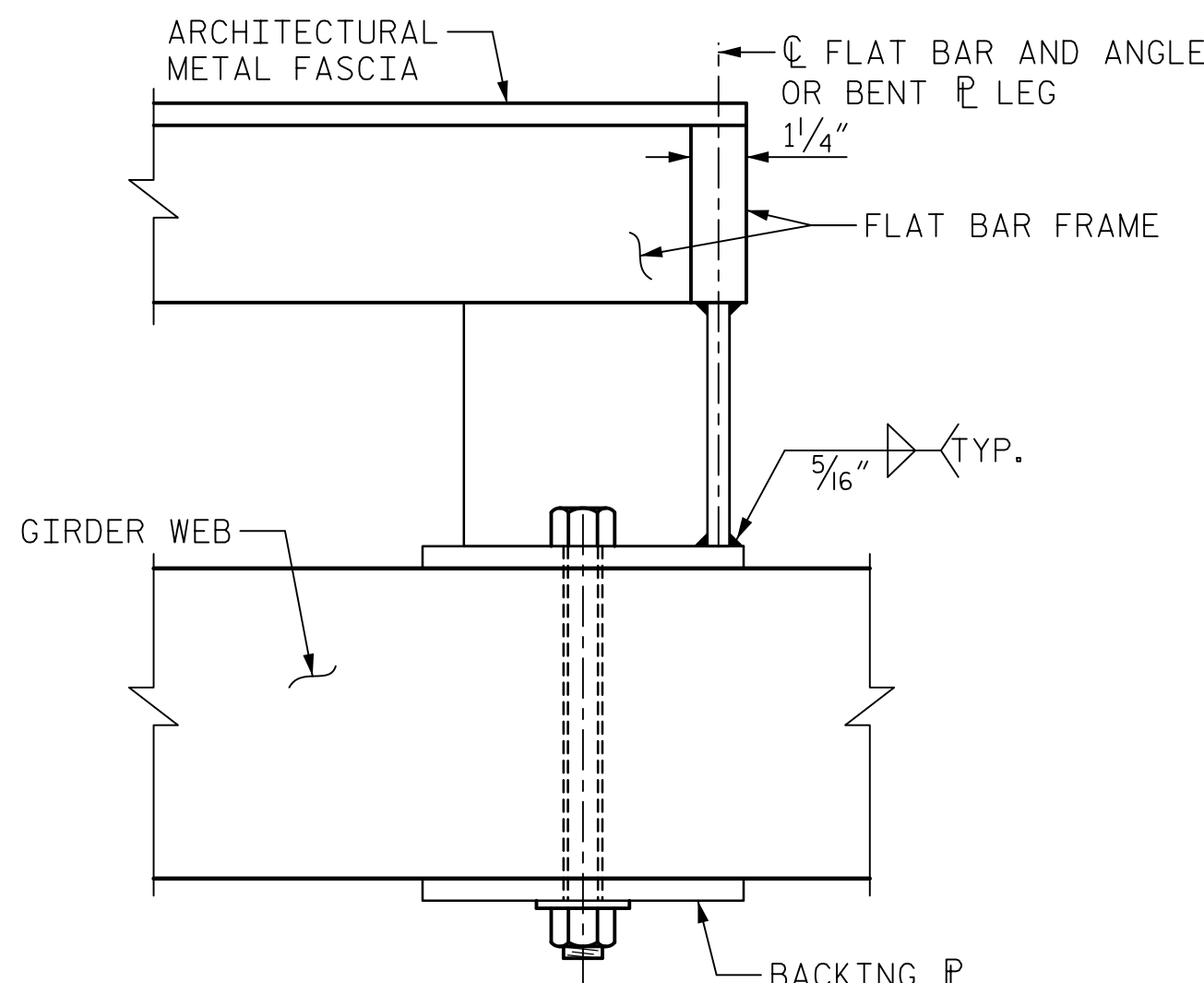
SECTION E-E

▼ SIZE PER LUMINAIRE MANUFACTURER'S SPECIFICATIONS



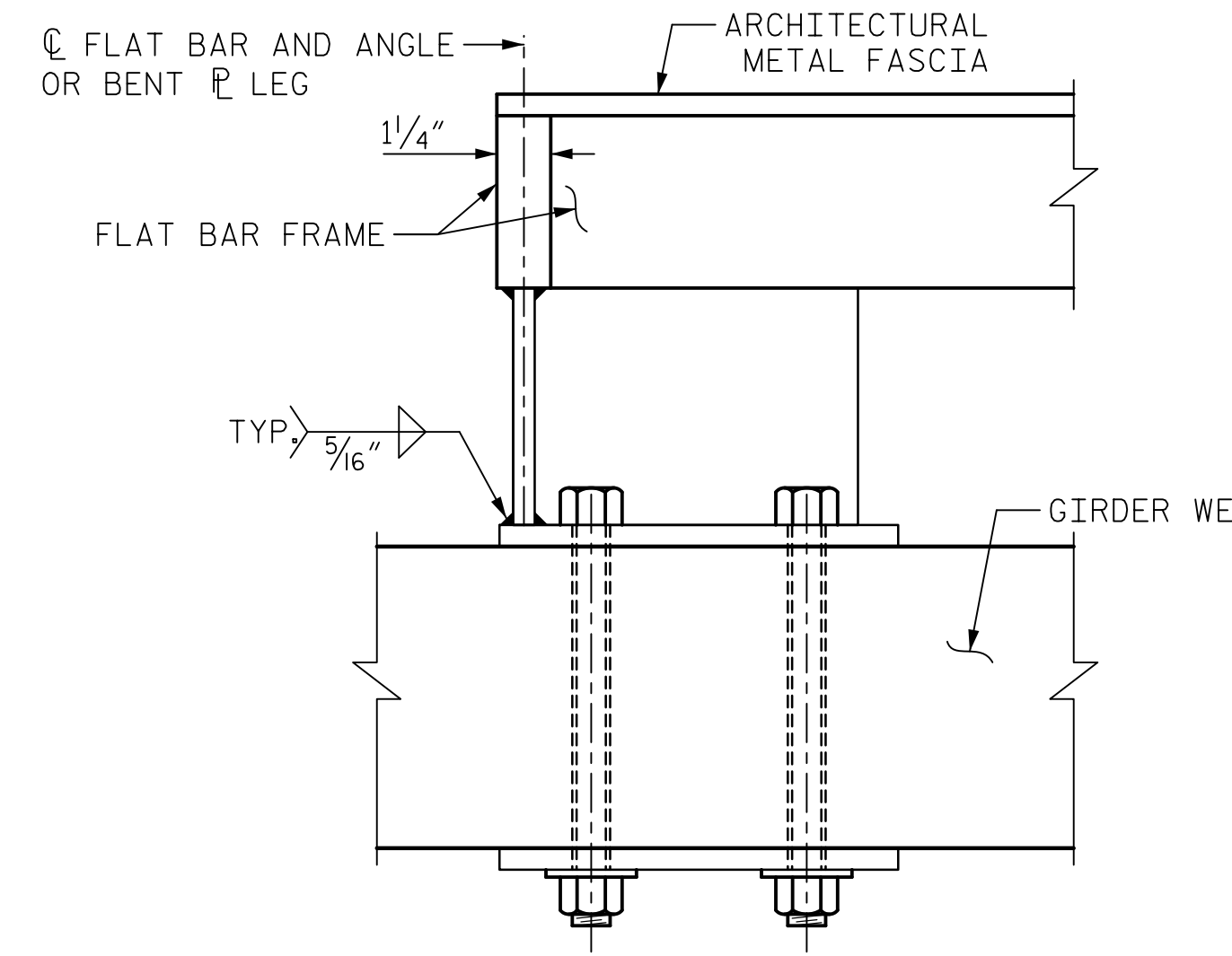
CORNER SUPPORT (CS1)

NOTE: UPPER CORNER SUPPORT BRACKET SHOWN. BRACKETS FOR OTHER THREE CORNERS SIMILAR. PANEL PLATE AND BOLT HOLES NOT SHOWN FOR CLARITY.



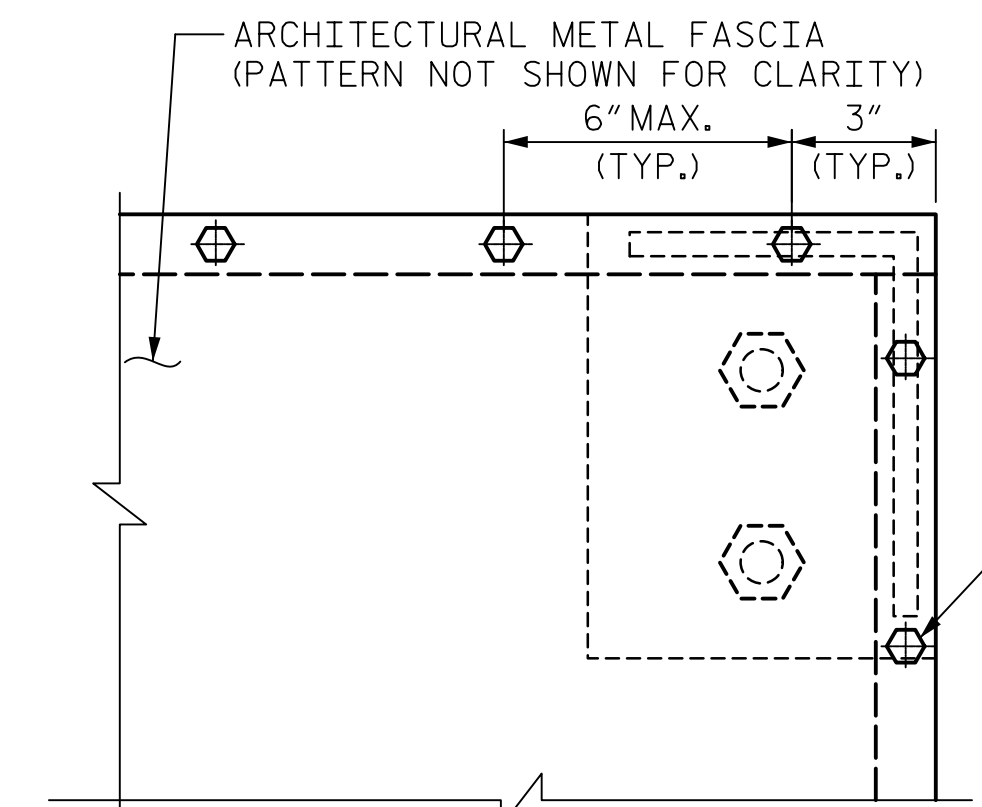
SECTION A-A

7/8" Ø A449 FASTENER SYSTEM AND 1/4" Ø PVC INSERT



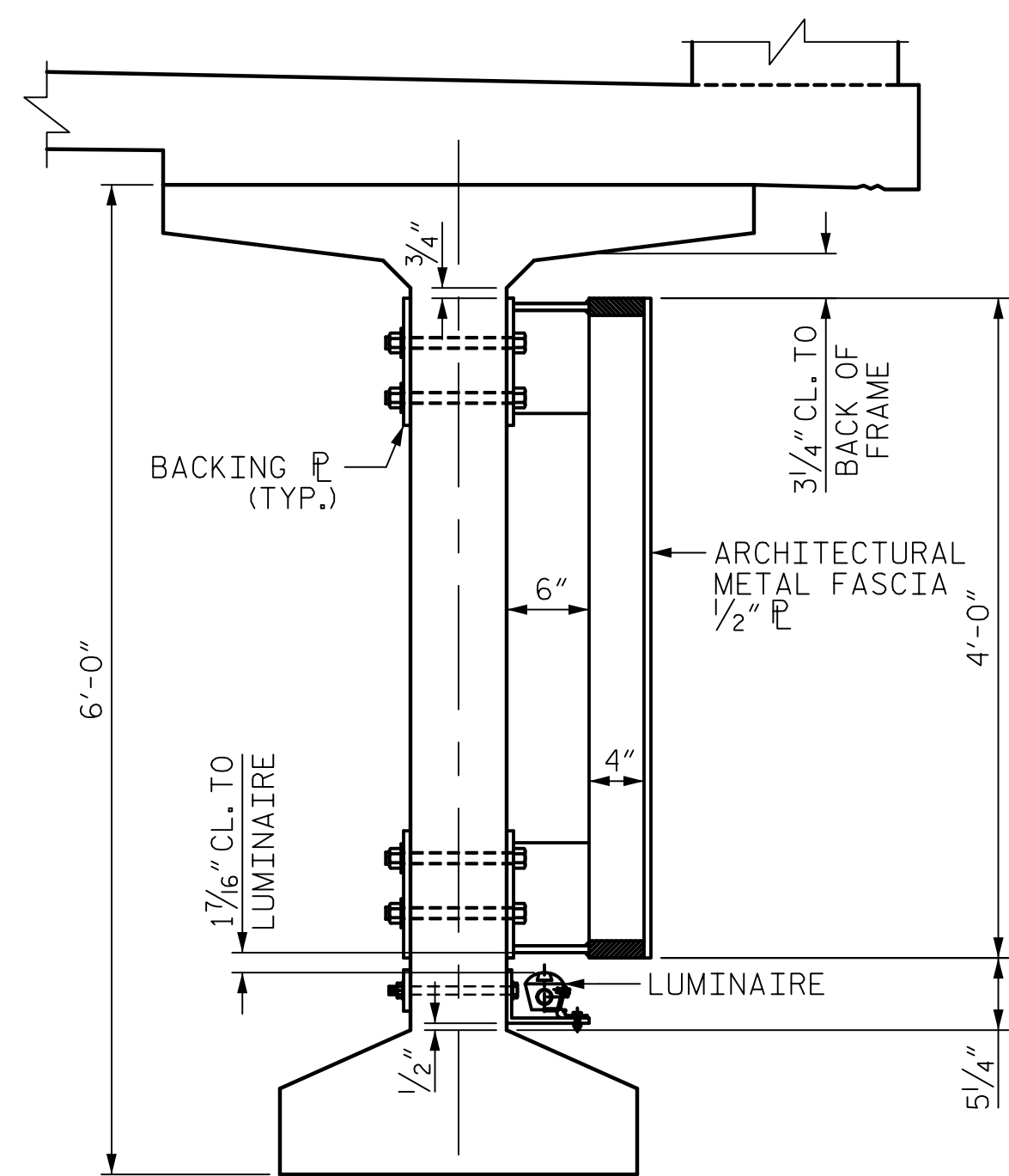
SECTION B-B

7/8" Ø A449 FASTENER SYSTEM AND 1/4" Ø PVC INSERT

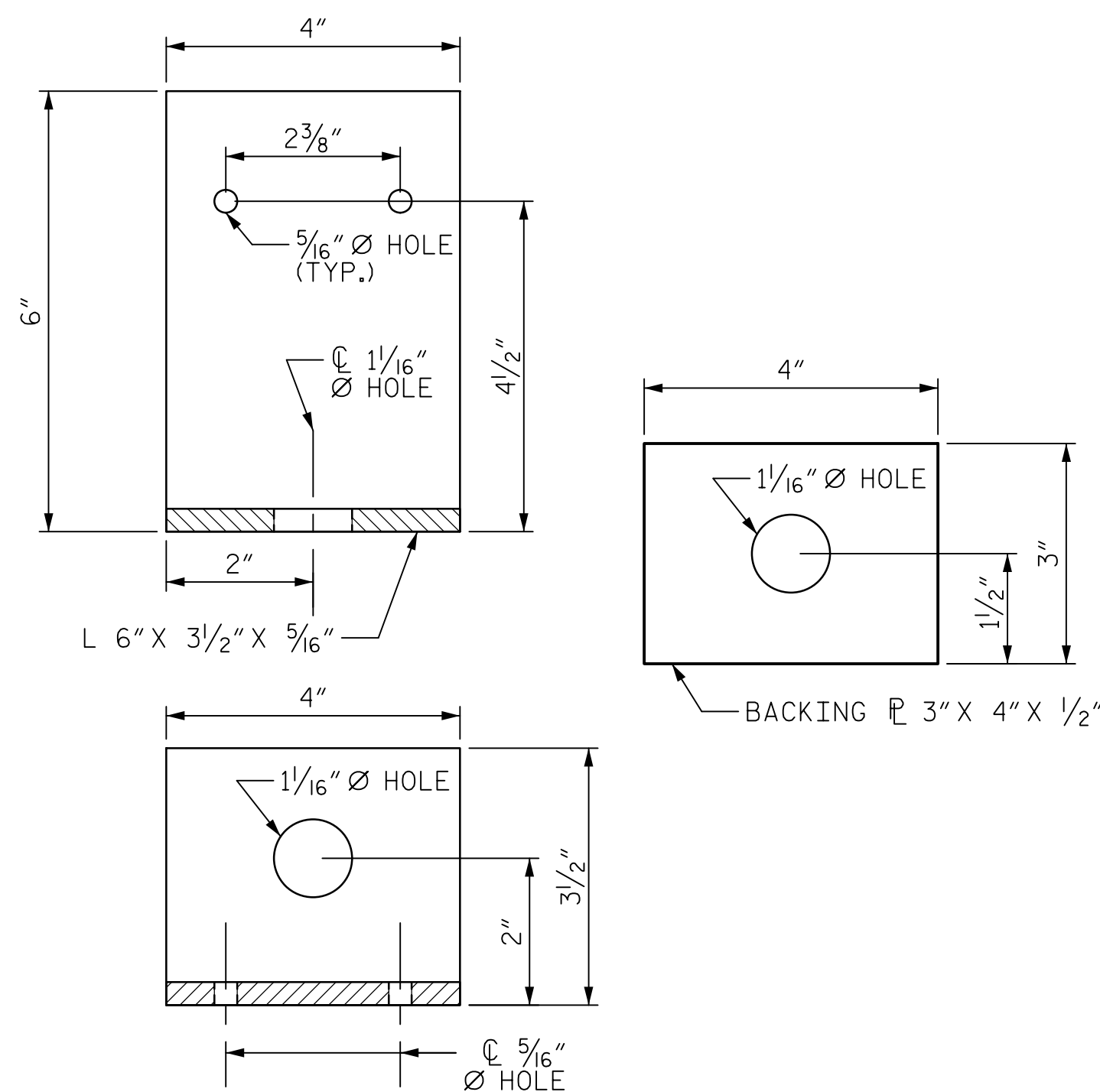


PANEL TO FRAME CONNECTION

3/8" X 1/2" F593 ALLOY 304 STAINLESS STEEL FASTENER WITH STAINLESS STEEL SPRINGLOCK WASHER; DRILL AND TAP 2" DEEP HOLE INTO PERIMETER FLAT BAR FRAME FOR 1/2" FASTENER. ALL LOCK WASHERS SHALL BE FULLY ENGAGED PRIOR TO ACCEPTANCE. CONTRACTOR SHALL USE THREADLOCK SUCH AS LOCTITE BLUE OR EQUAL DURING INSTALLATION OF FASTENER. THE THREADLOCK SHALL ALLOW FOR FUTURE DISASSEMBLY. FASCIA PANELS SHALL NOT BE BOLTED TO CENTER BAR OF FRAME SYSTEM. BOLT HEADS SHALL BE ON THE EXPOSED SIDE OF THE FASCIA PANELS (TYP.)

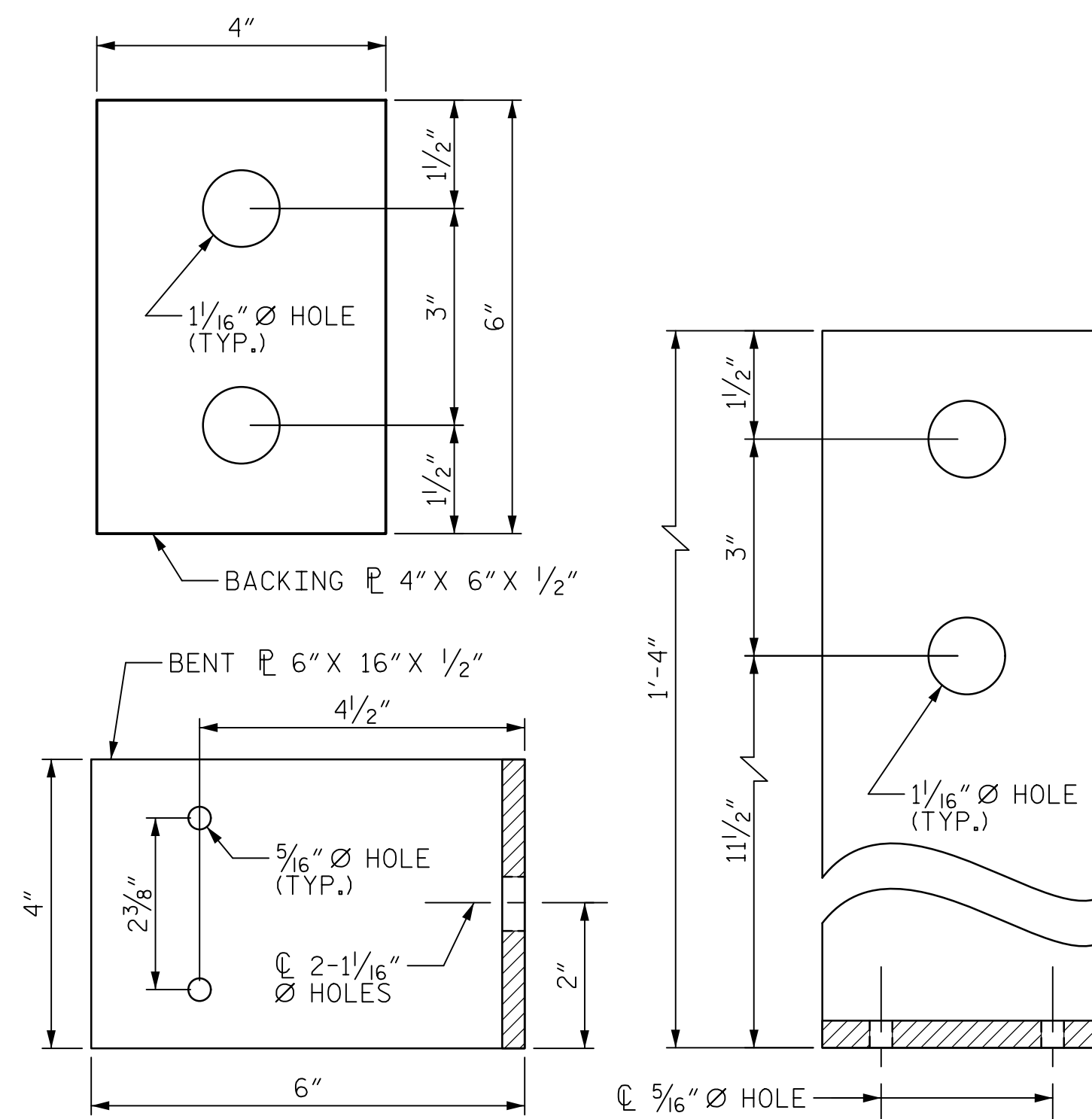


GIRDER SECTION AT BRIDGE FASCIA



TYPE "A" BRACKET

(2 REQUIRED PER LUMINAIRE)



TYPE "B" BRACKET

(2 REQUIRED PER LUMINAIRE)

DOCUMENT NOT CONSIDERED FINAL UNLESS ALL SIGNATURES COMPLETED

DRAWN BY: K.H. COMPTON DATE: 4/2016
 CHECKED BY: A.S. MILLER DATE: 4/2016
 DESIGNED BY: G.L. HAMILTON DATE: 4/2016

PROJECT NO. B-5121/B-5317
 WAKE COUNTY
 STATION: 22+06.91 -L-

SHEET 1 OF 2

AECOM
 AECOM TECHNICAL SERVICES, INC.
 701 CORPORATE CENTER DRIVE, SUITE 475
 RALEIGH, NC 27607
 (919) 854-6200 www.aecom.com
 AECOM License No. F-0342

6/2/2016
 NORTH CAROLINA PROFESSIONAL SEAL
 038447
 ENGINEER
 ANDREW S. MILLER
 Andrew S. Miller
 CSD07972AC5E438...

STATE OF NORTH CAROLINA
 DEPARTMENT OF TRANSPORTATION
 RALEIGH

ARCHITECTURAL METAL FASCIA DETAILS

REVISIONS						SHEET NO.
NO.	BY:	DATE:	NO.	BY:	DATE:	S-43
1			3			TOTAL SHEETS
2			4			110