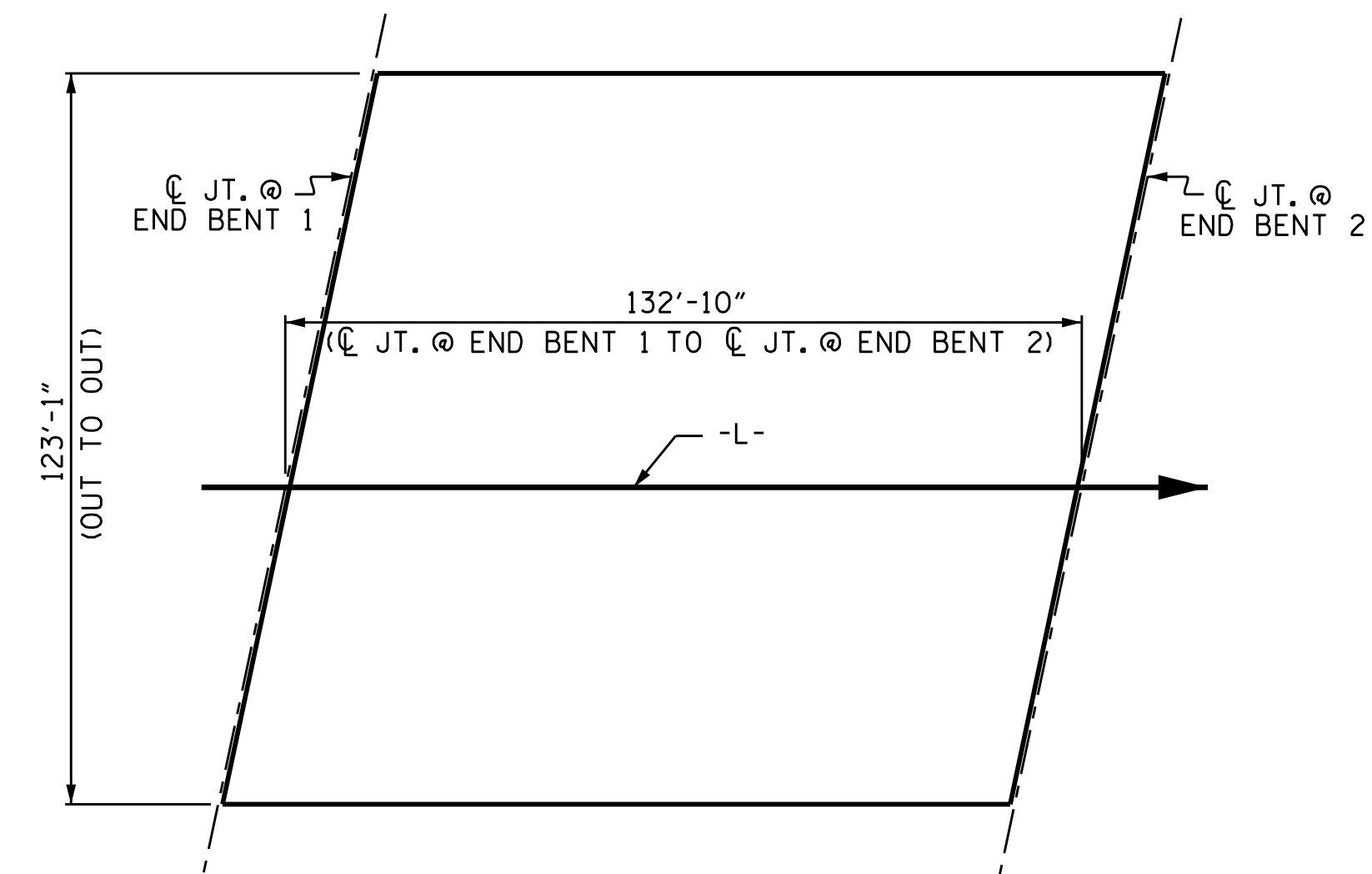
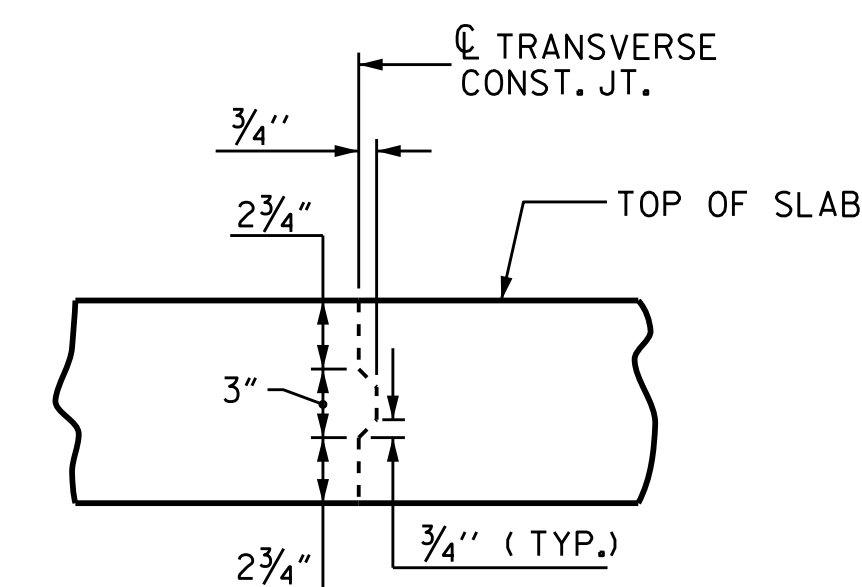


POURING SEQUENCE
(STAGE I)

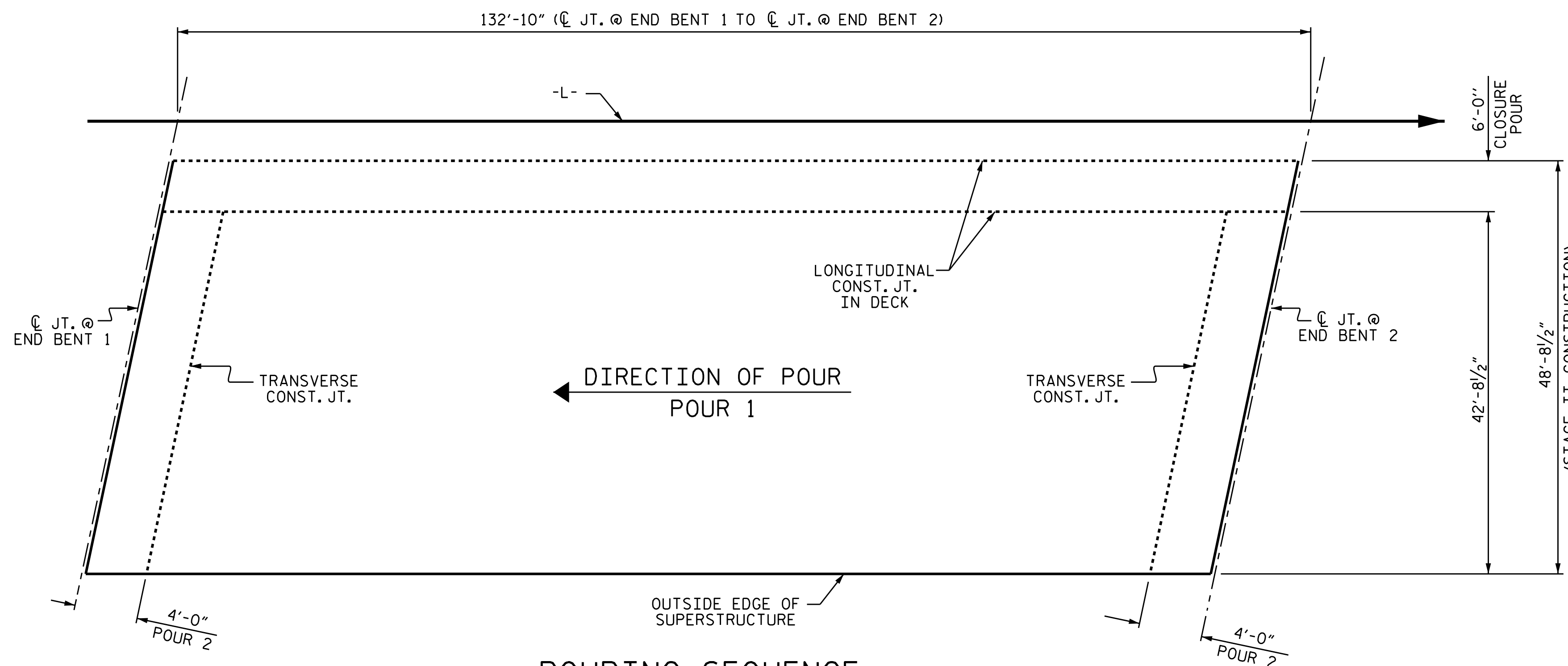


LAYOUT FOR COMPUTING AREA OF REINFORCED CONCRETE DECK SLAB
(SQ. FT. = 16,350)



TRANSVERSE CONSTRUCTION JOINT DETAIL

NOTE: REINFORCING STEEL IN SLAB NOT SHOWN. LONGITUDINAL REINFORCING STEEL SHALL BE CONTINUOUS THRU JOINT.



POURING SEQUENCE
(STAGE II)

SAND LIGHTWEIGHT CONCRETE BREAKDOWN	
STAGE I	
POUR 1	289.1 C.Y.
POUR 2	28.8 C.Y.
TOTAL	317.9 C.Y.
STAGE II	
POUR 1	166.2 C.Y.
POUR 2	17.0 C.Y.
6'-0" CLOSURE POUR	25.1 C.Y.
TOTAL	208.3 C.Y.
CLASS AA CONCRETE BREAKDOWN	
STAGE III	
CONCRETE MEDIAN	21.5 C.Y.

PROJECT NO. B-5121/B-5317
WAKE COUNTY
 STATION: 22+06.91 -L-



DocuSigned by:
Kesty W. Alford
4/13/2016

STATE OF NORTH CAROLINA DEPARTMENT OF TRANSPORTATION RALEIGH					
SUPERSTRUCTURE CONCRETE DECK POUR DETAILS					
REVISIONS					SHEET NO.
NO.	BY:	DATE:	NO.	BY:	DATE:
1			3		
2			4		
					S-25
					TOTAL SHEETS 110

DOCUMENT NOT CONSIDERED FINAL UNLESS ALL SIGNATURES COMPLETED

DRAWN BY : I.L. AVERETTE DATE : 12-15
 CHECKED BY : J.P. ADAMS DATE : 2-16
 DESIGN ENGINEER OF RECORD: I.L. AVERETTE DATE : 2-16