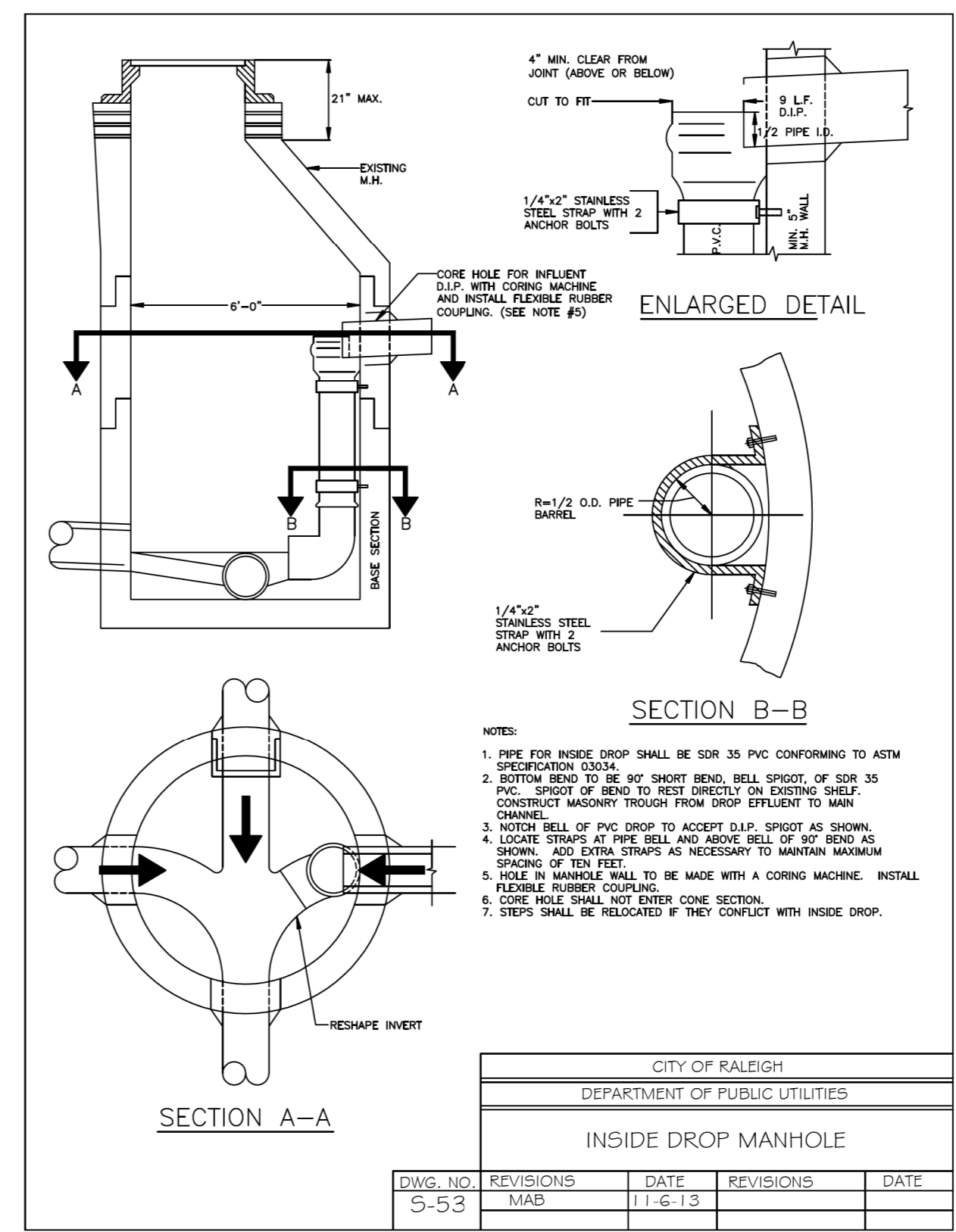
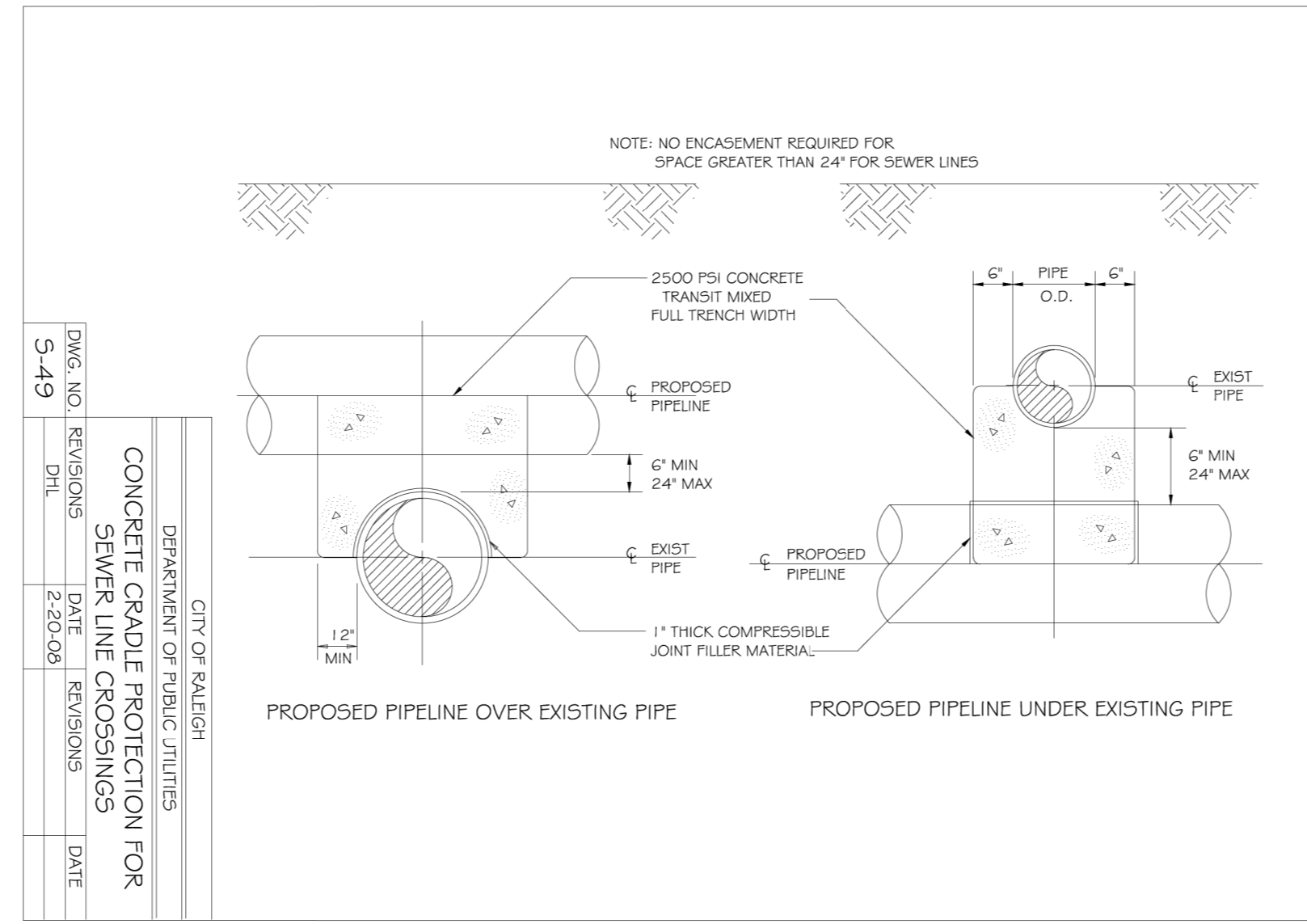
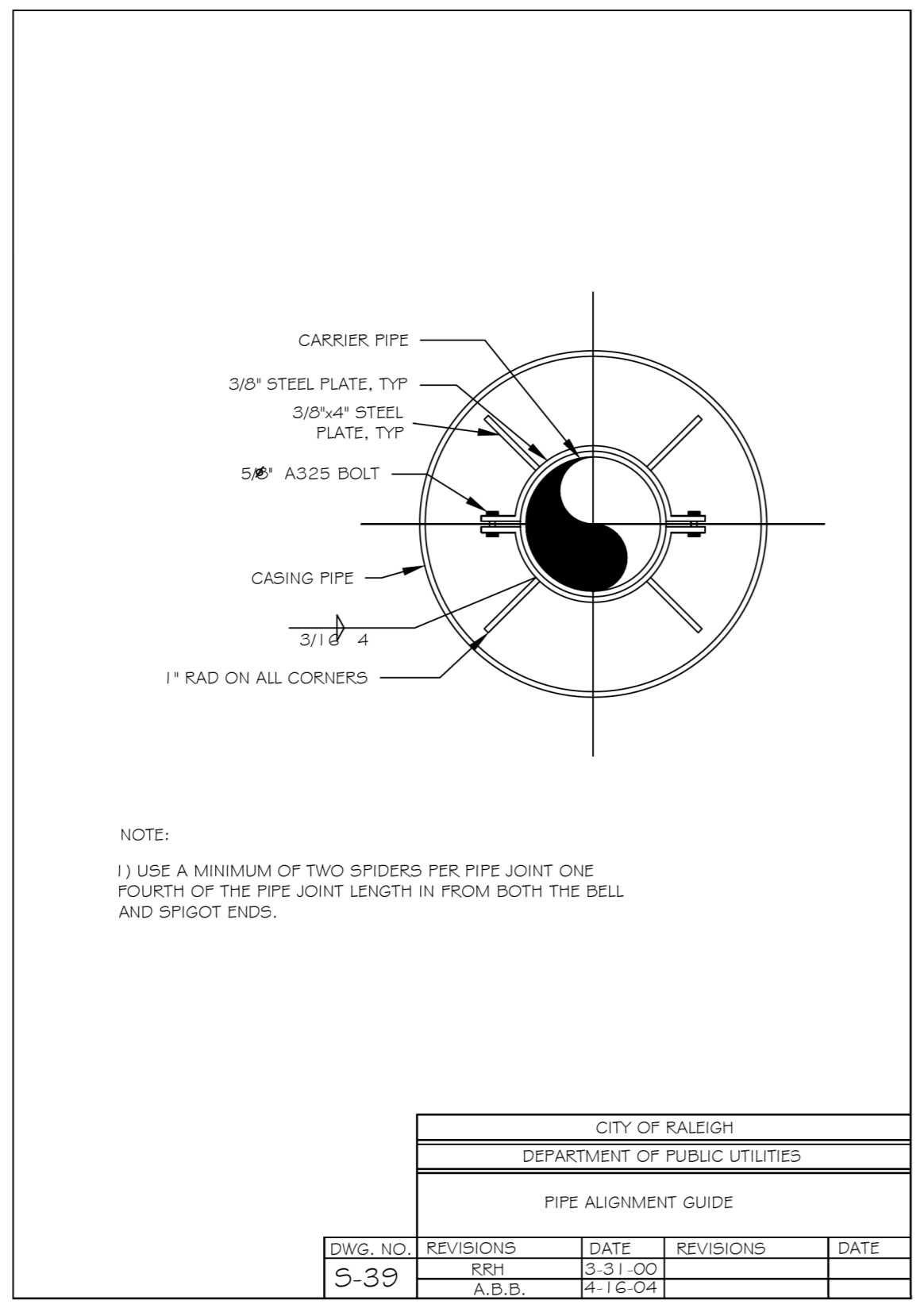
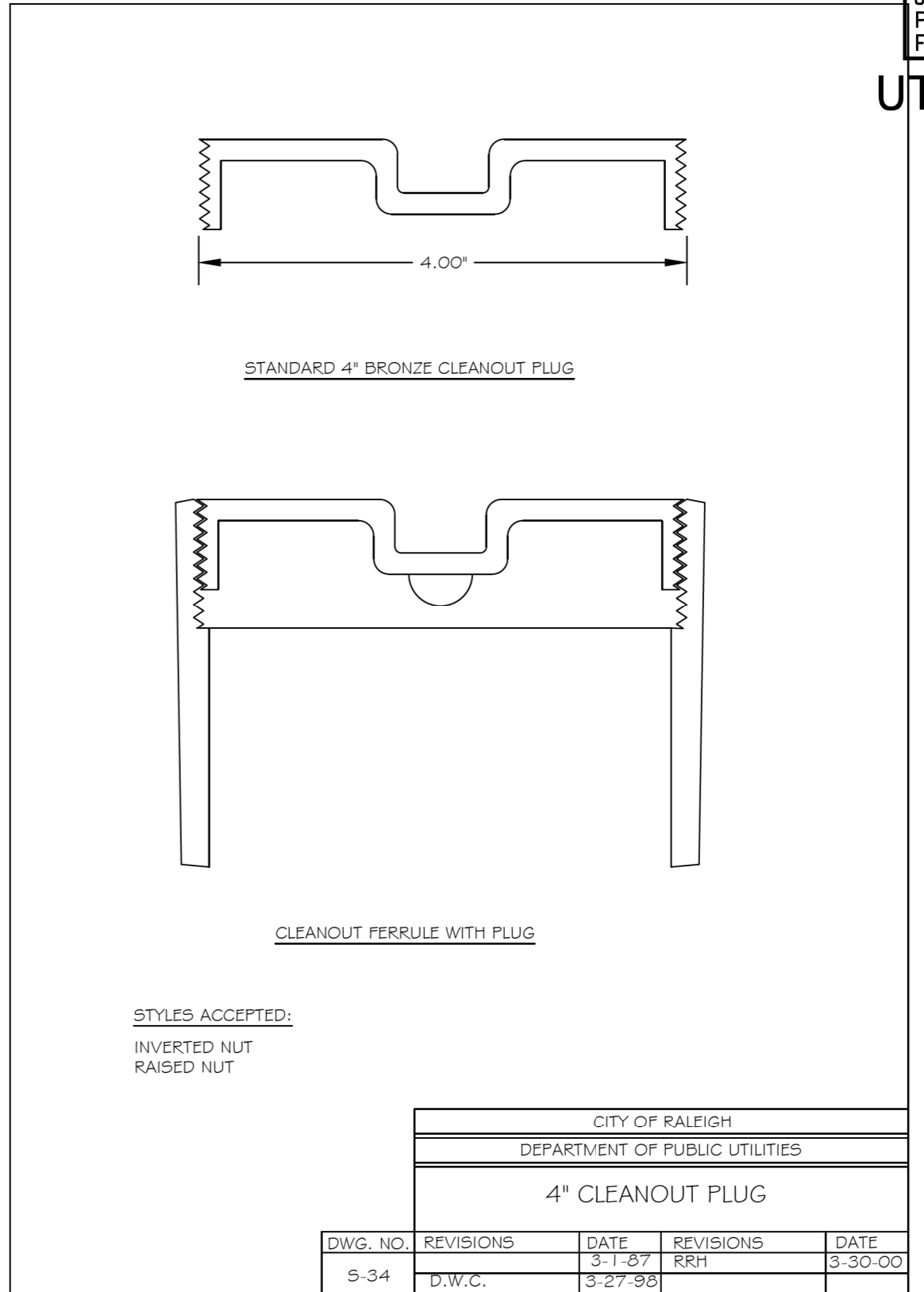
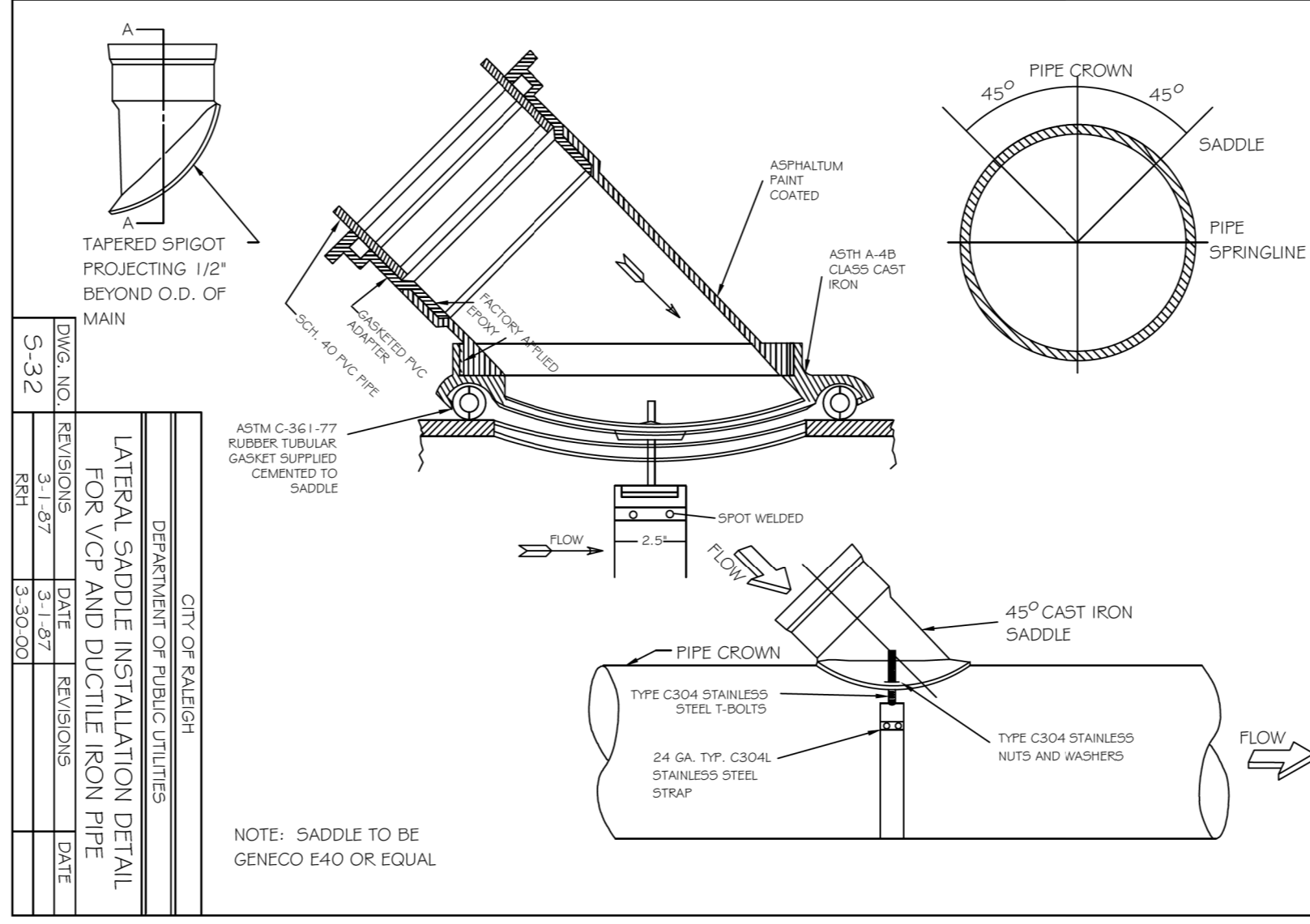
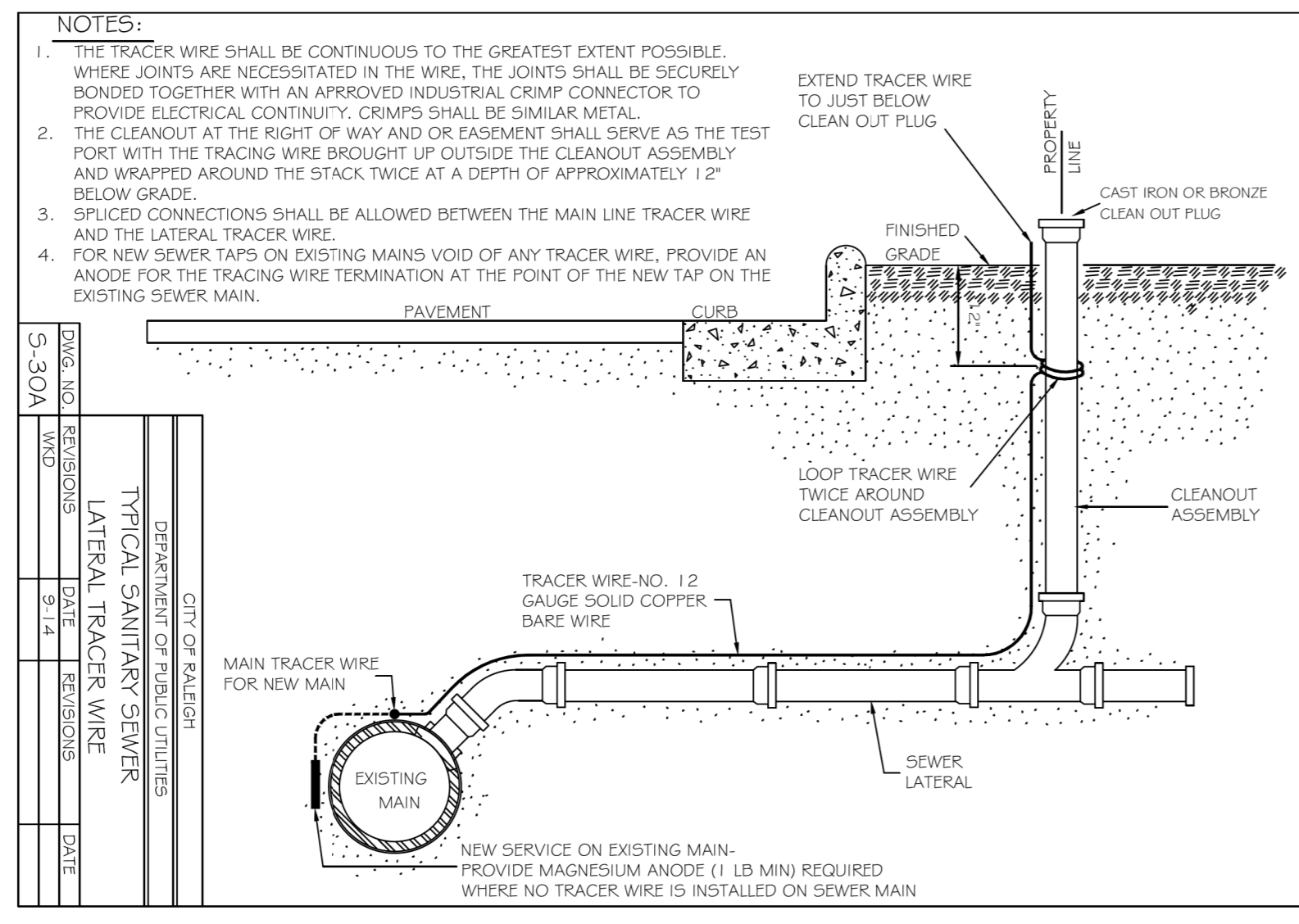


UTILITY CONSTRUCTION



REVISIONS

2/11/2016 K:\PAL_Roadway\01036256 - Capital Boulevard\Utilities\Engineering\UC\Pro\B5121_B5317_uc_dtl_uc03a_psh.dgn