

PROJECT REFERENCE NO.	SHEET NO.
B-5121 / B-5317	UC-3E
DESIGNED BY: DGB	
DRAWN BY: JGB	
CHECKED BY: JRP	
APPROVED BY: JAR	
REVISED:	NORTH CAROLINA DEPARTMENT OF TRANSPORTATION UTILITIES ENGINEERING SEC. PHONE: (919) 707-6690 FAX: (919) 250-4151

**UTILITY CONSTRUCTION**

ALL CONSTRUCTION TO BE IN ACCORDANCE WITH ALL CITY OF RALEIGH AND/OR NCDOT STANDARDS AND SPECIFICATIONS.

**CITY OF RALEIGH**

All Construction must be in accordance with all Local, State, and Federal Rules and Regulations.

TRANSPORTATION SERVICES \_\_\_\_\_

PUBLIC UTILITIES \_\_\_\_\_

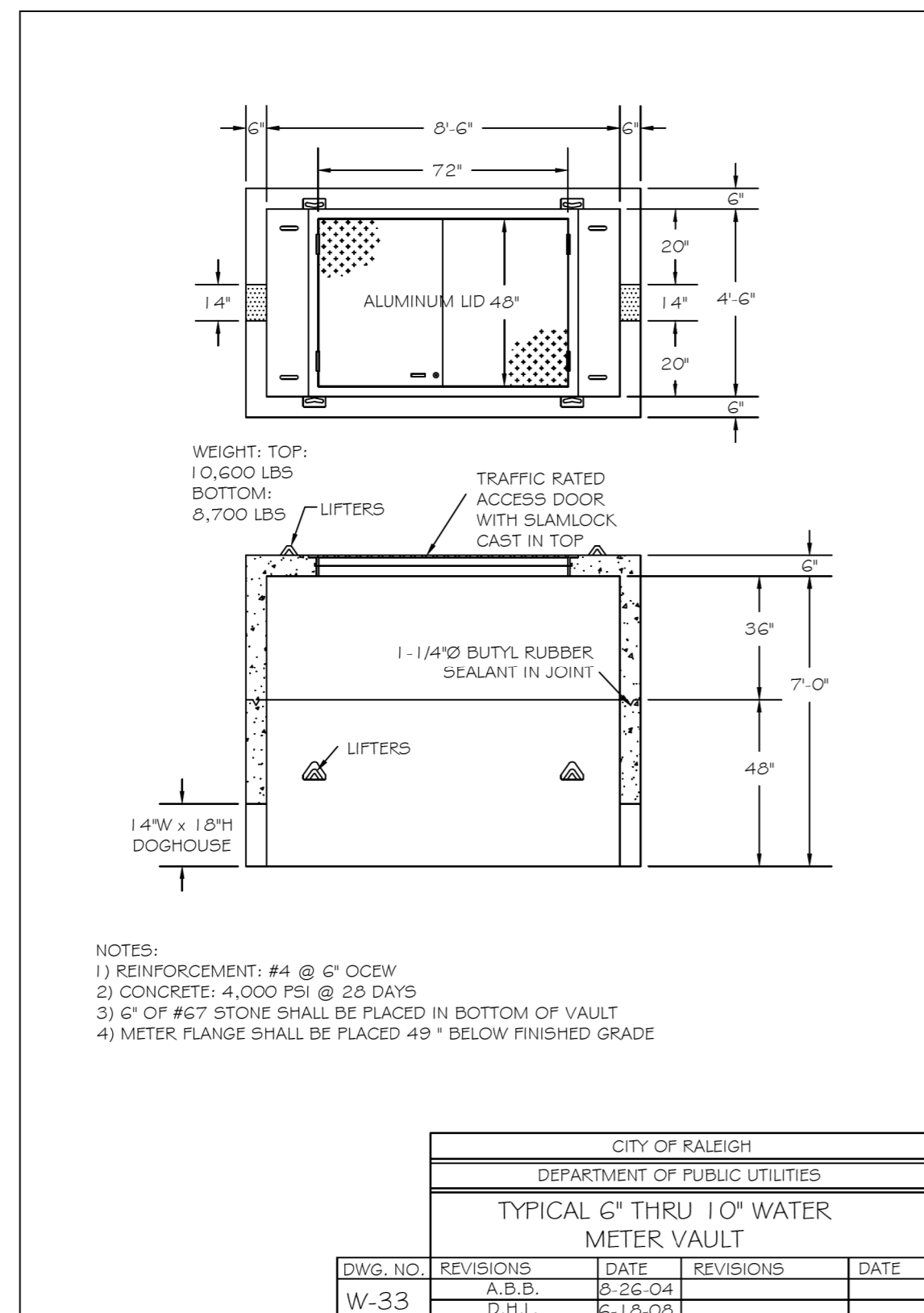
STORMWATER \_\_\_\_\_

PLANNING \_\_\_\_\_

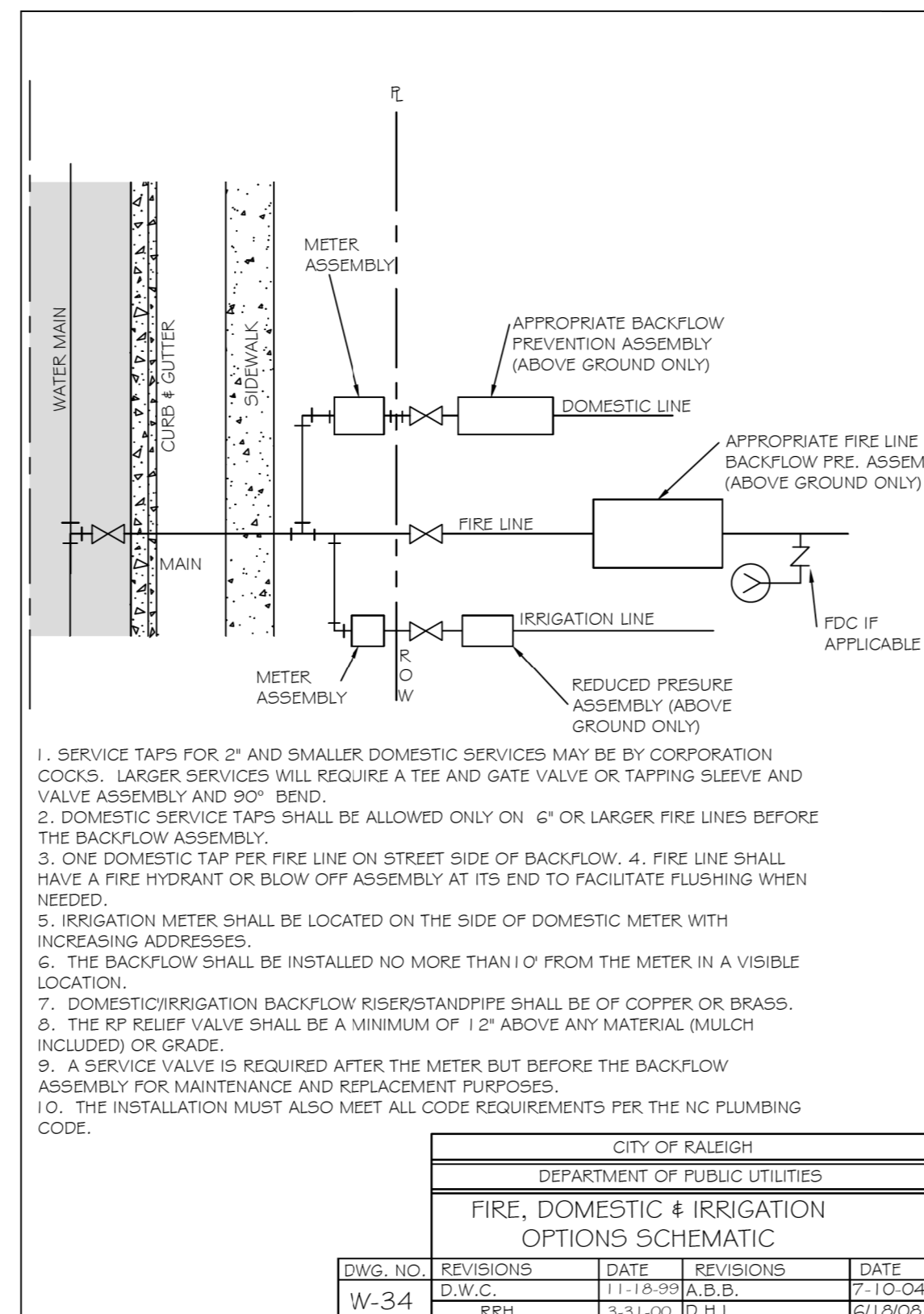
FIRE \_\_\_\_\_

URBAN FORESTRY \_\_\_\_\_

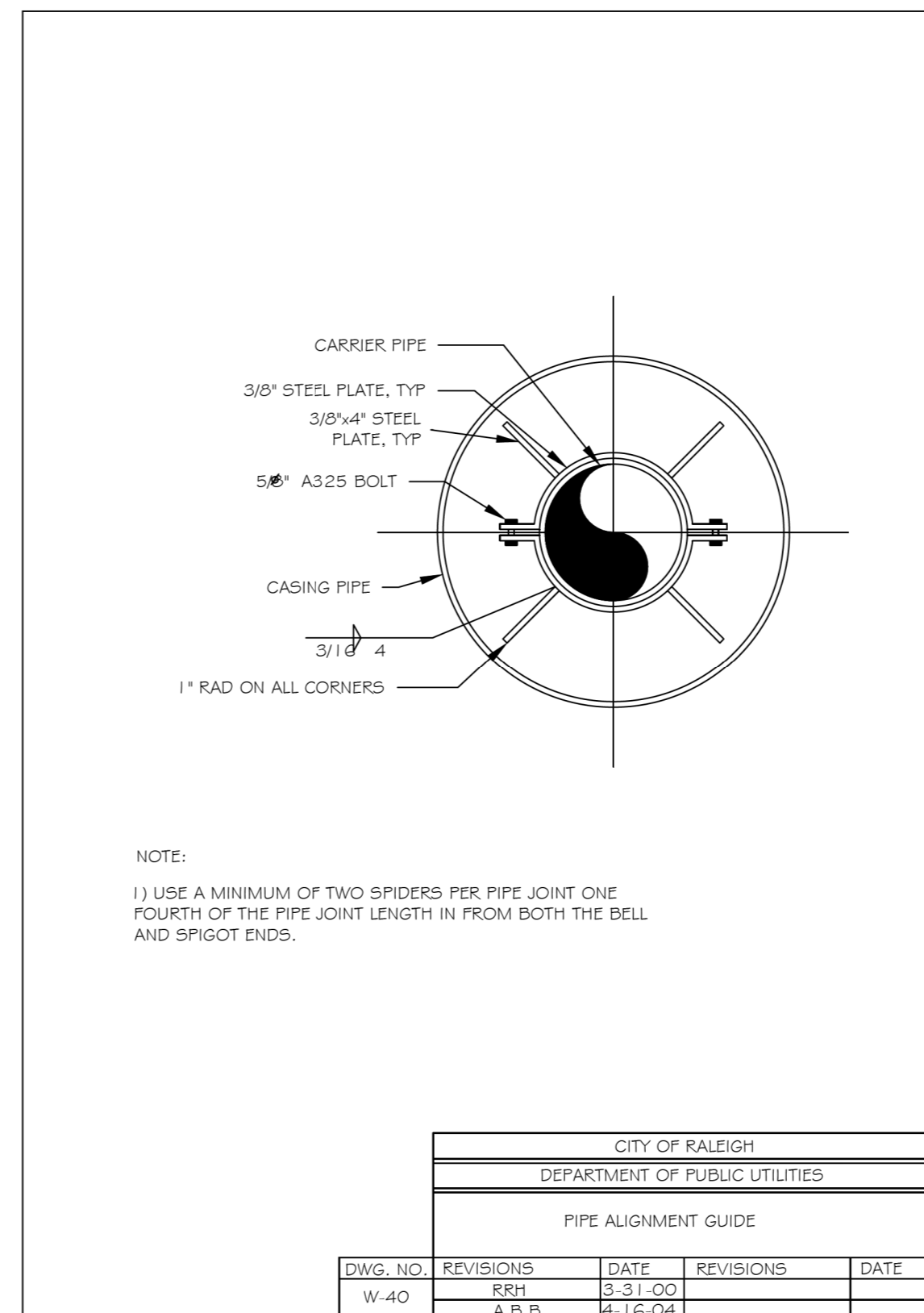
REVISIONS



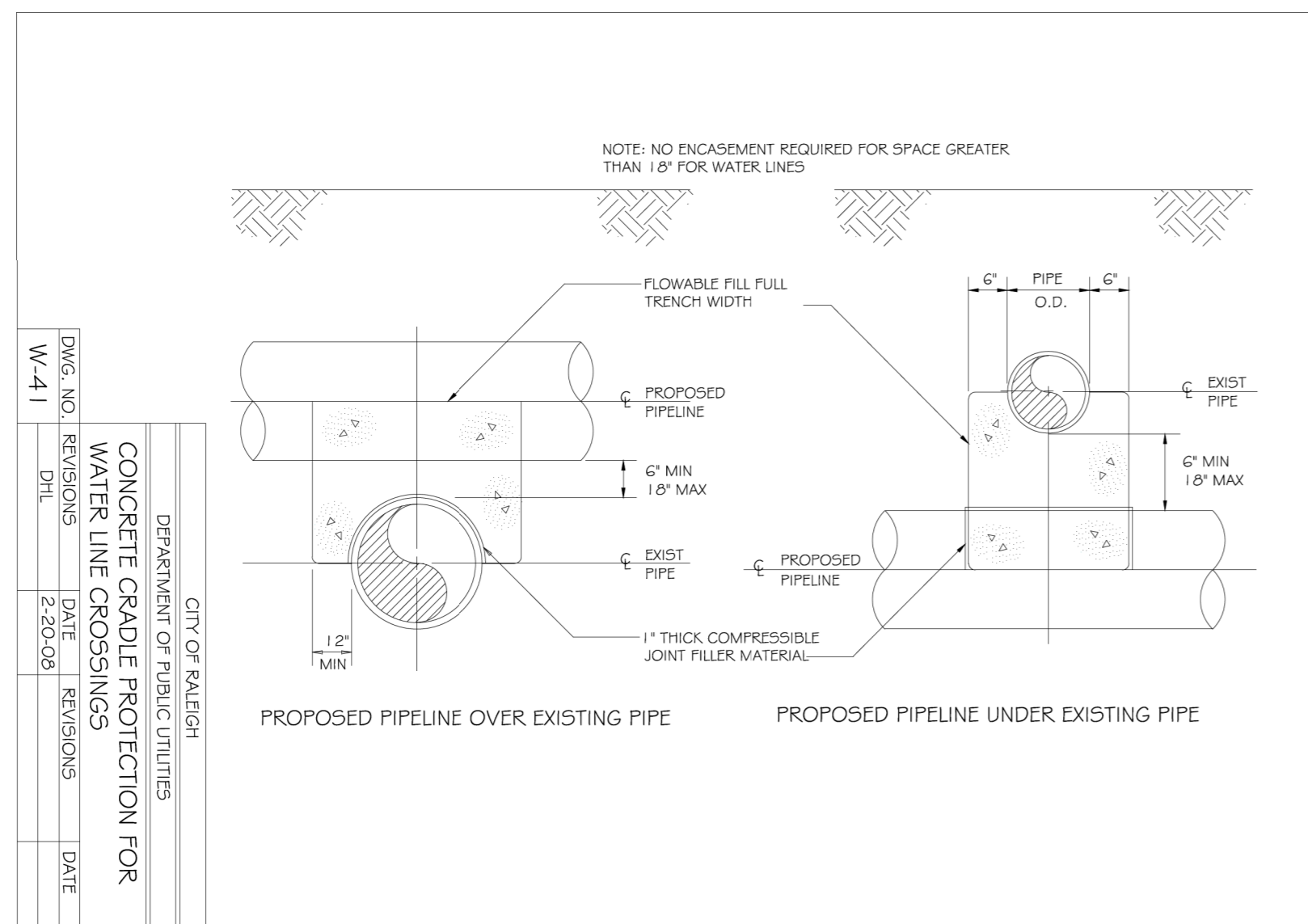
CITY OF RALEIGH				
DEPARTMENT OF PUBLIC UTILITIES				
TYPICAL 6" THRU 10" WATER METER VAULT				
DWG. NO.	REVISIONS	DATE	REVISIONS	DATE
W-33	A.B.B.	8-26-04		
	D.H.L.	6-18-08		



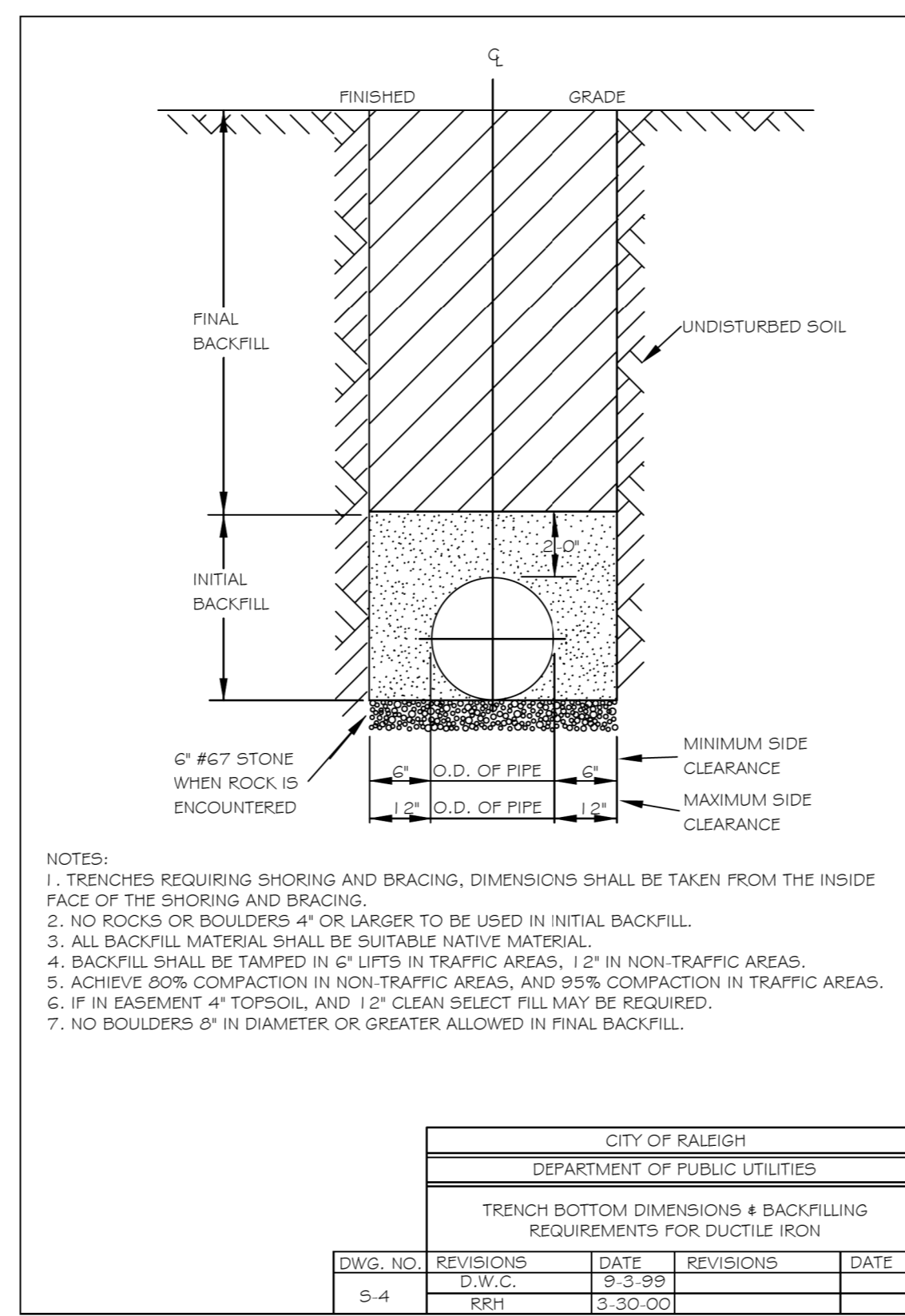
CITY OF RALEIGH				
DEPARTMENT OF PUBLIC UTILITIES				
FIRE, DOMESTIC & IRRIGATION OPTIONS SCHEMATIC				
DWG. NO.	REVISIONS	DATE	REVISIONS	DATE
W-34	D.W.C.	11-18-99	A.B.B.	7-10-04
	RRH	3-31-00	D.H.L.	6/18/08



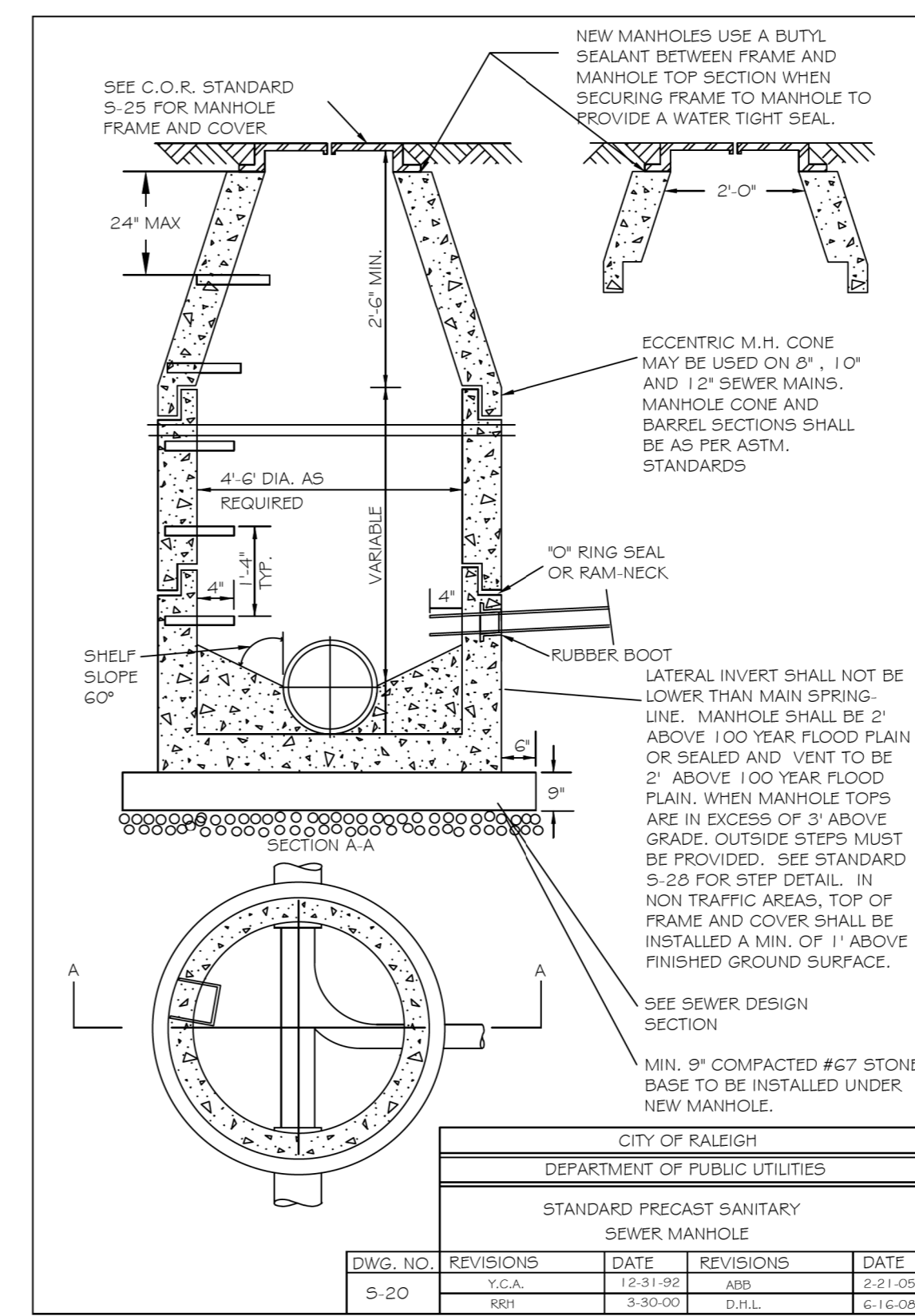
CITY OF RALEIGH				
DEPARTMENT OF PUBLIC UTILITIES				
PIPE ALIGNMENT GUIDE				
DWG. NO.	REVISIONS	DATE	REVISIONS	DATE
W-40	RRH	3-31-00		
	A.B.B.	4-16-04		



CITY OF RALEIGH				
DEPARTMENT OF PUBLIC UTILITIES				
CONCRETE GRADE PROTECTION FOR WATER LINE CROSSINGS				
DWG. NO.	REVISIONS	DATE	REVISIONS	DATE
W-41		2-28-09		



CITY OF RALEIGH				
DEPARTMENT OF PUBLIC UTILITIES				
TRENCH BOTTOM DIMENSIONS & BACKFILLING REQUIREMENTS FOR DUCTILE IRON				
DWG. NO.	REVISIONS	DATE	REVISIONS	DATE
S-4	D.W.C.	9-3-99		
	RRH	3-30-00		



CITY OF RALEIGH				
DEPARTMENT OF PUBLIC UTILITIES				
STANDARD PRECAST SANITARY SEWER MANHOLE				
DWG. NO.	REVISIONS	DATE	REVISIONS	DATE
S-20	V.C.A.	12-31-92	ARR	2-21-06
	RRH	3-30-00	D.H.L.	6-16-08