

UTILITY CONSTRUCTION

ALL CONSTRUCTION TO BE IN ACCORDANCE WITH ALL CITY OF RALEIGH AND/OR NCDOT STANDARDS AND SPECIFICATIONS.

CITY OF RALEIGH

All Construction must be in accordance with all Local, State, and Federal Rules and Regulations.

TRANSPORTATION SERVICES _____

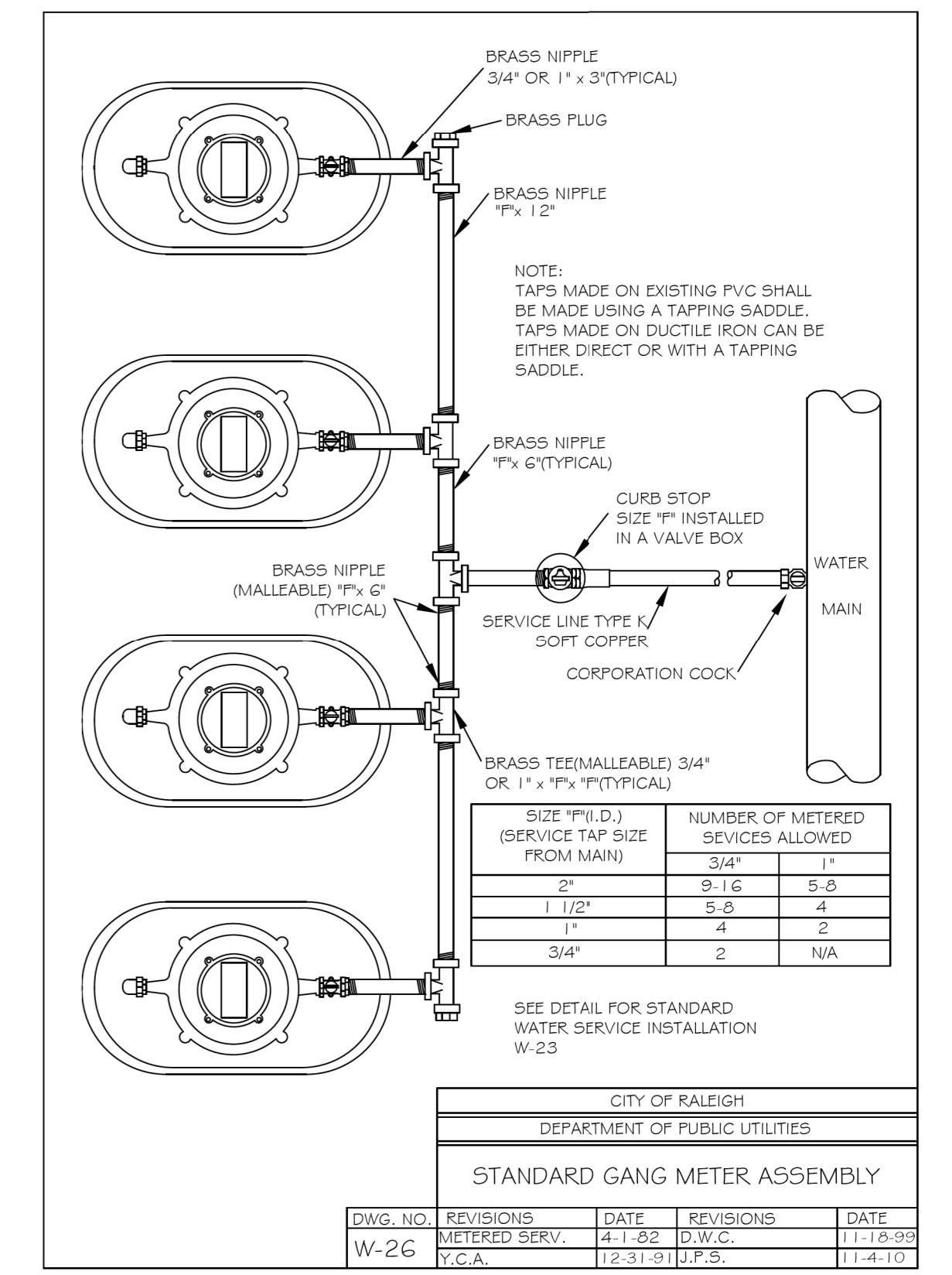
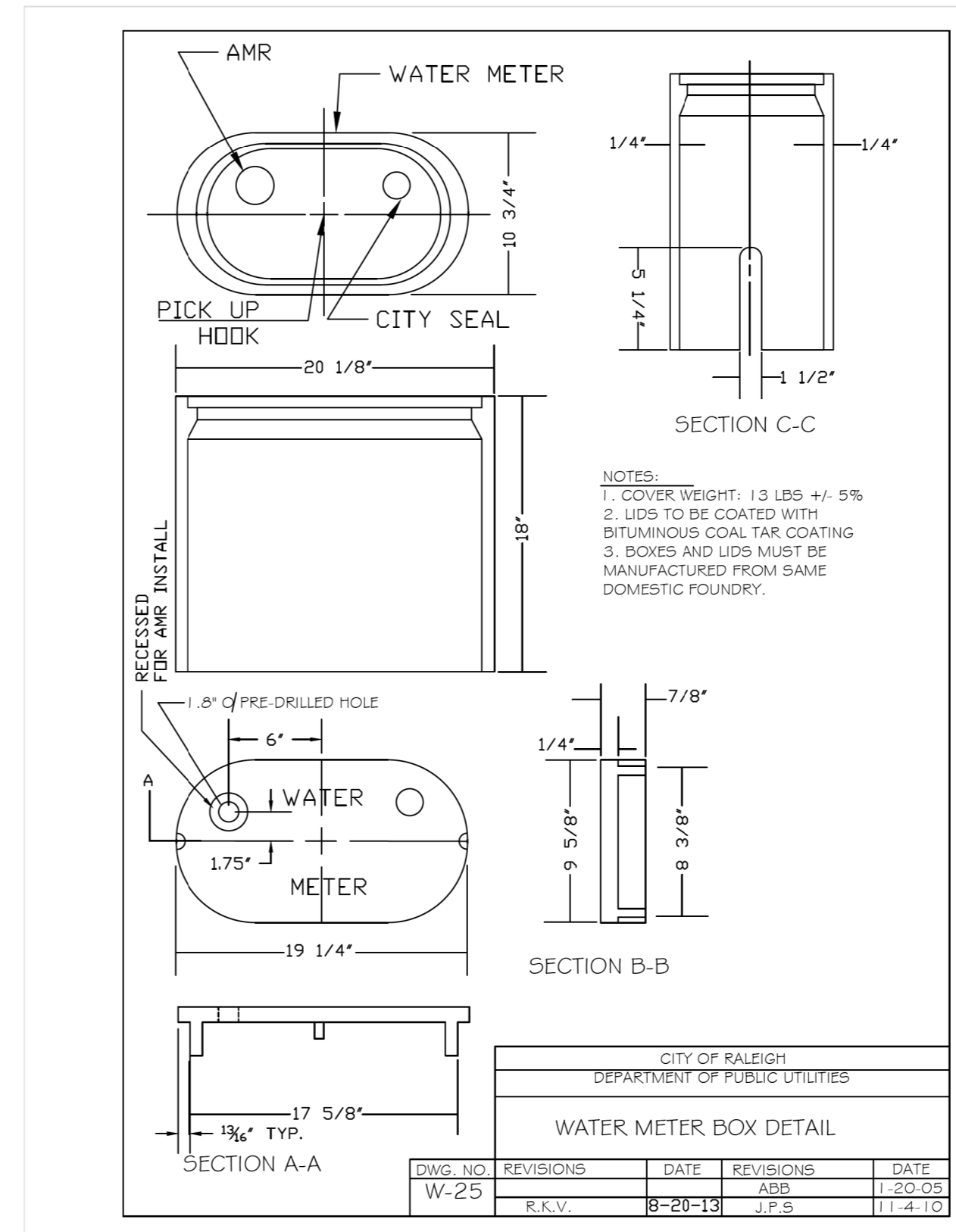
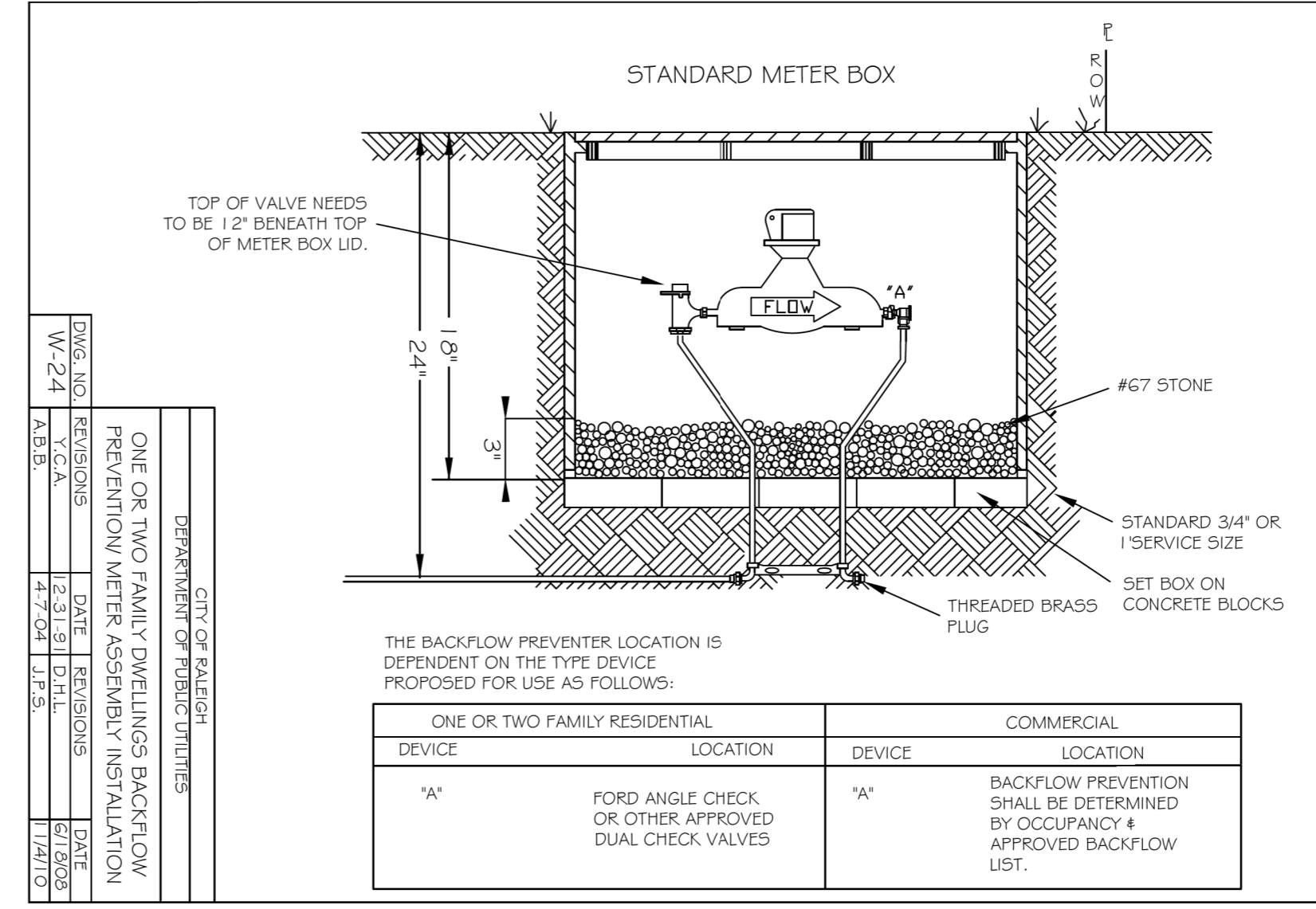
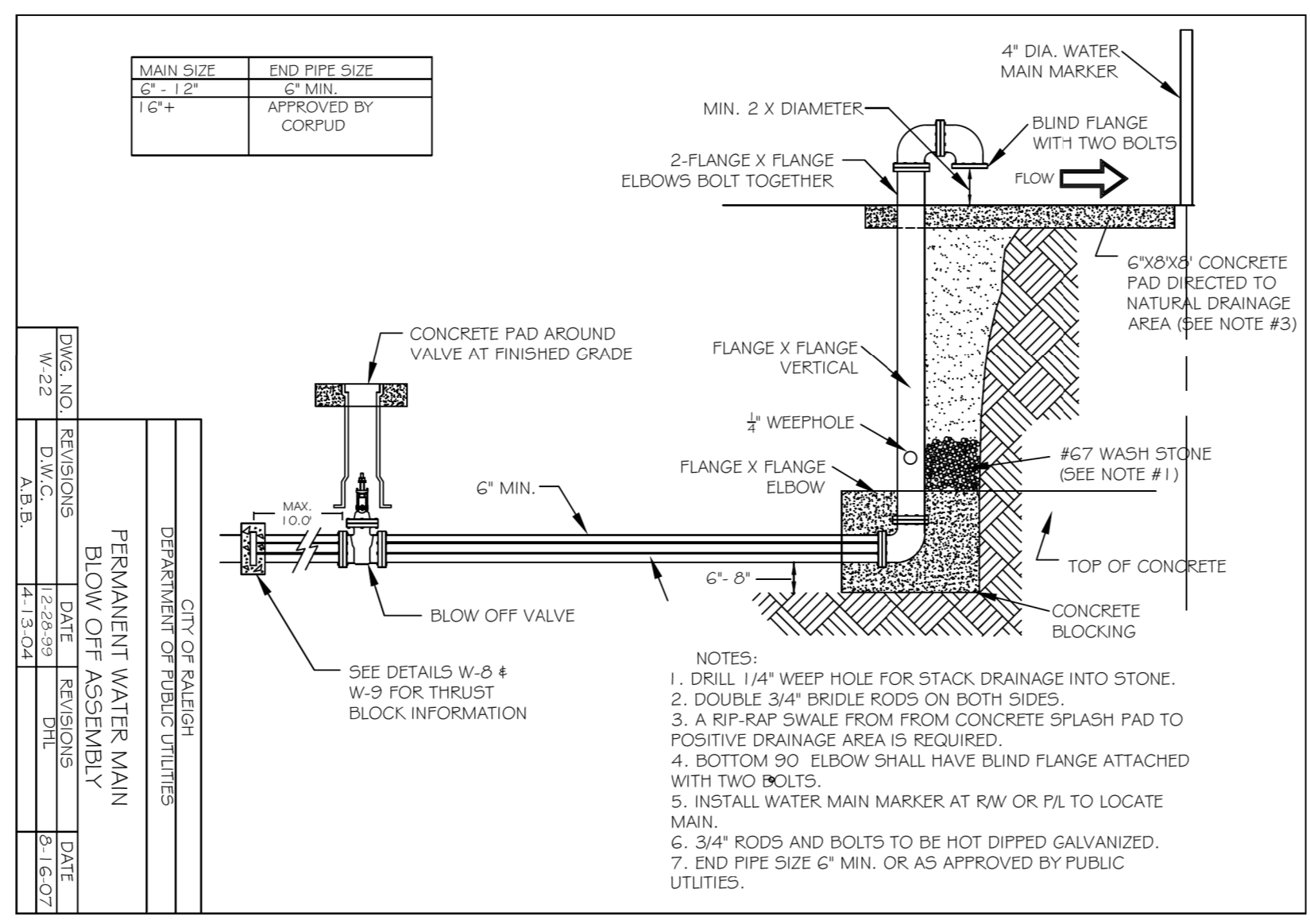
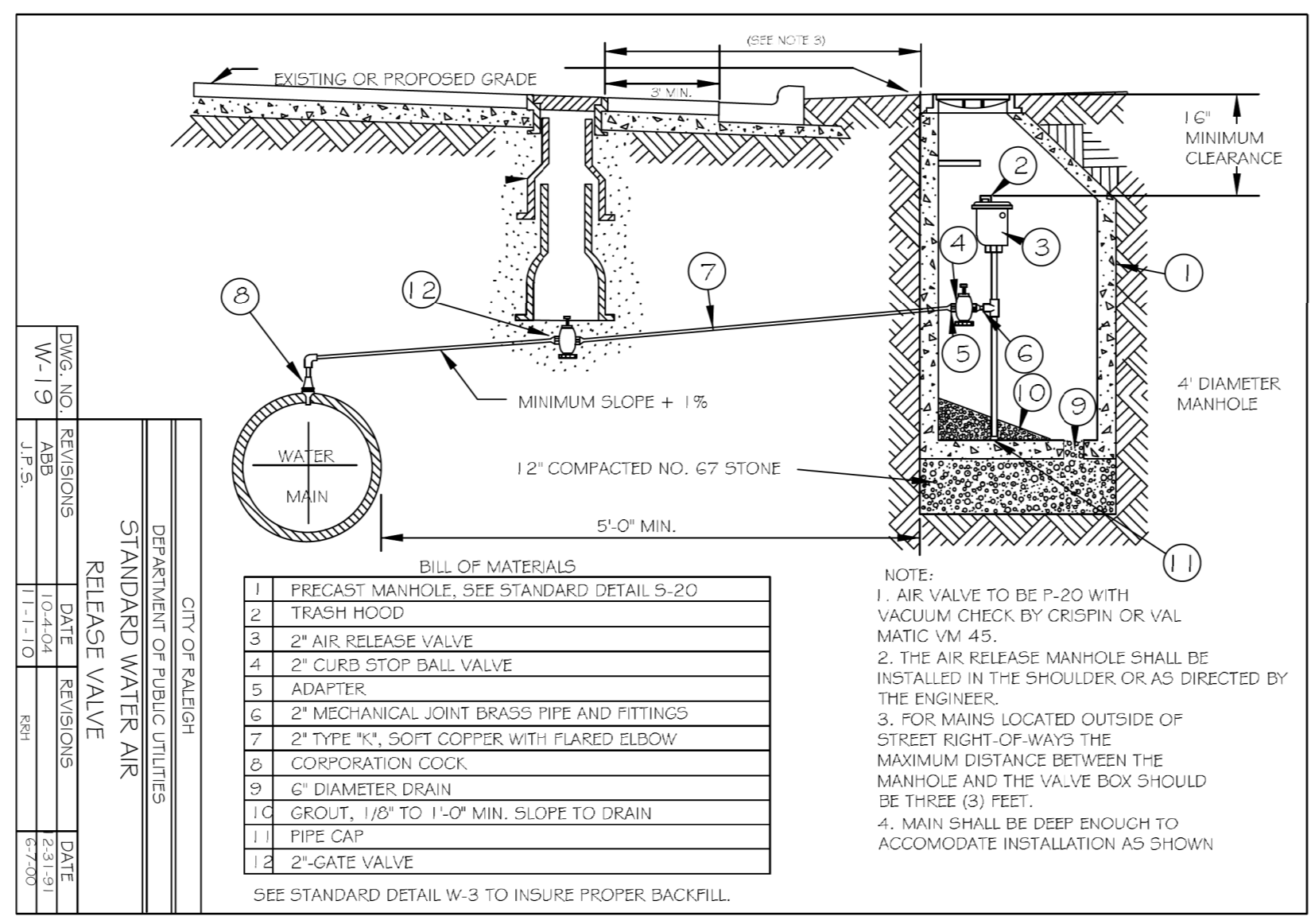
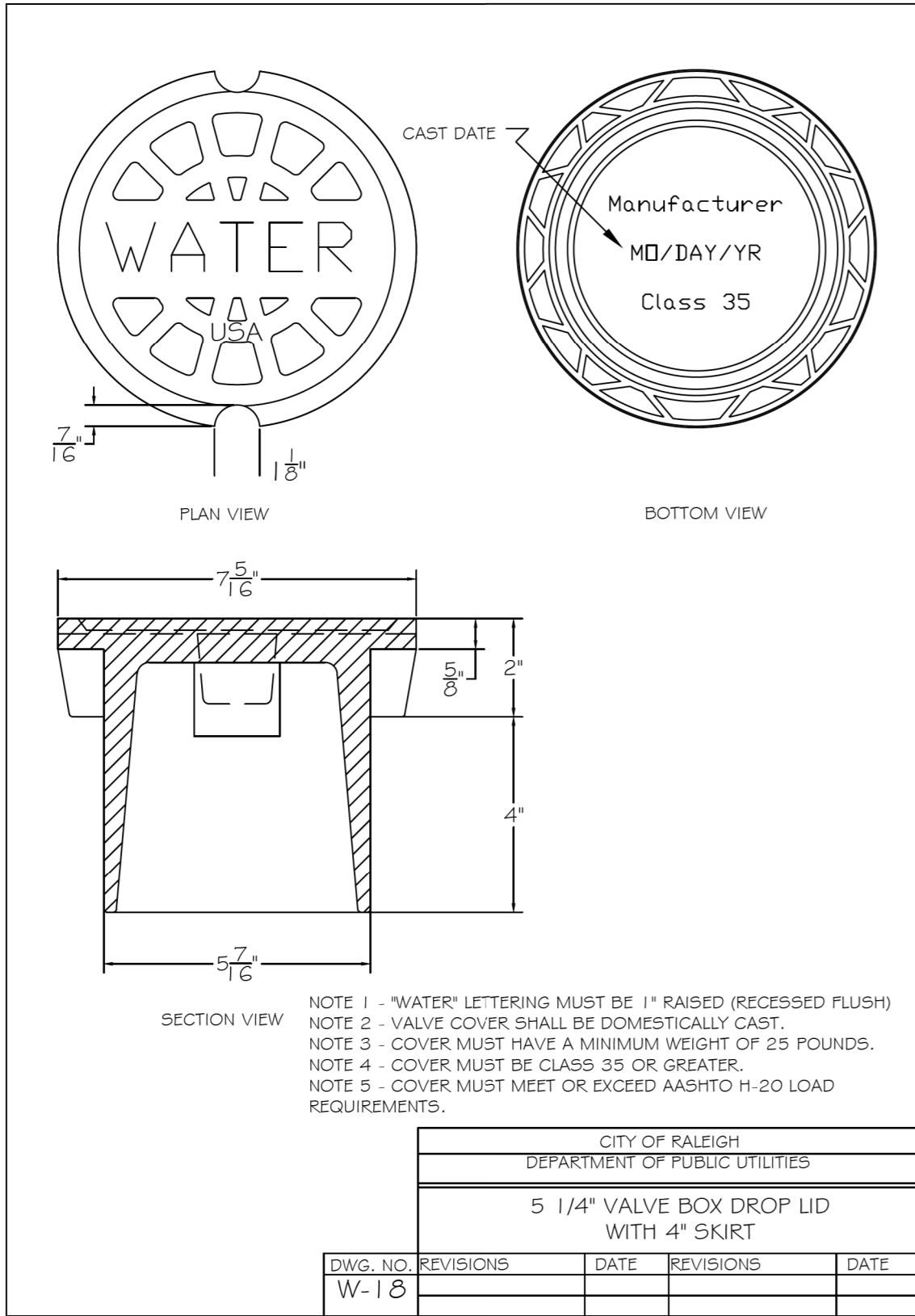
PUBLIC UTILITIES _____

STORMWATER _____

PLANNING _____

FIRE _____

URBAN FORESTRY _____



REVISIONS

2/11/2016 K:\PAL_Roadway\01036256 - Capital Boulevard\Utilities\Engineering\UC\Pro\B5121_B5317_Uf_dfl_uc03a_psh.dgn