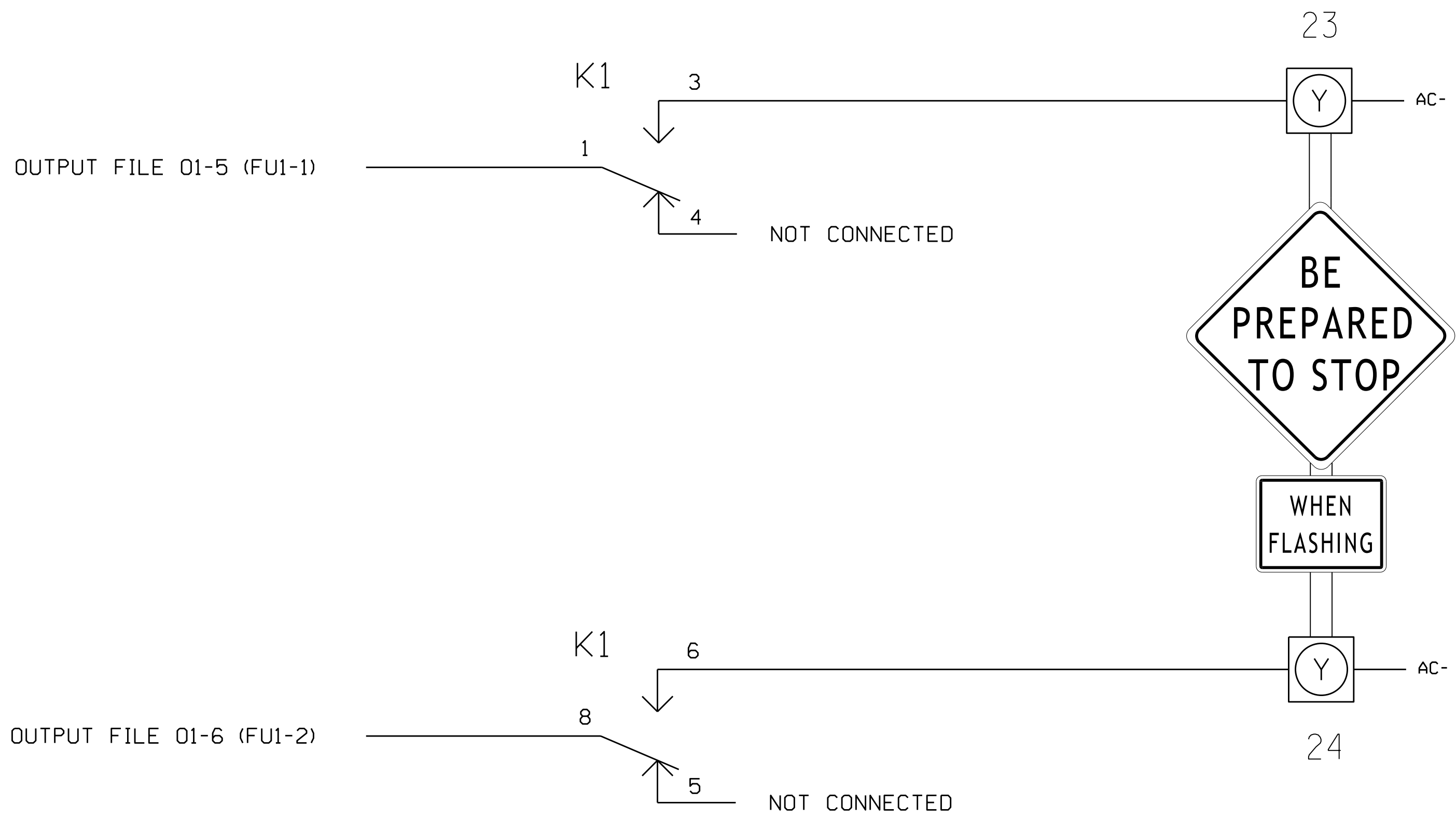
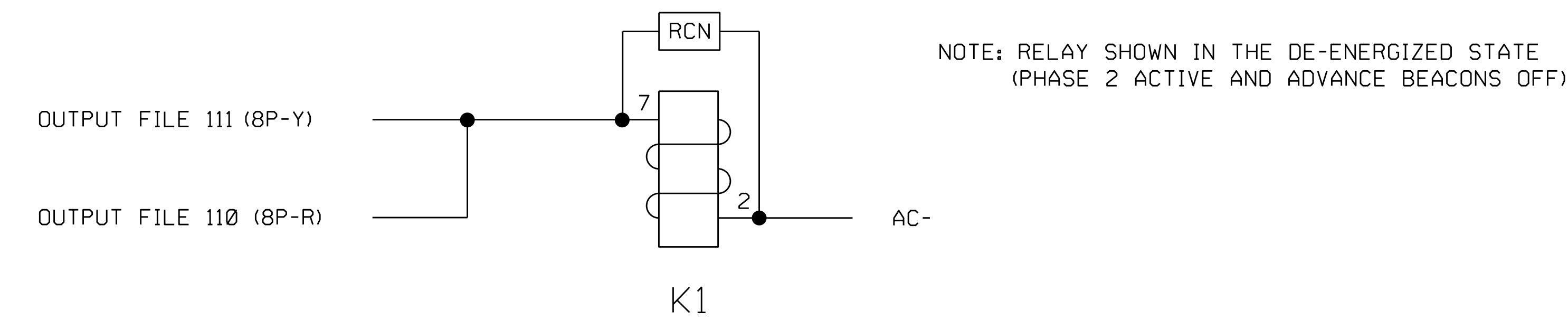


ADVANCE BEACON RELAY CONTROL AND SIGN WIRING DETAIL

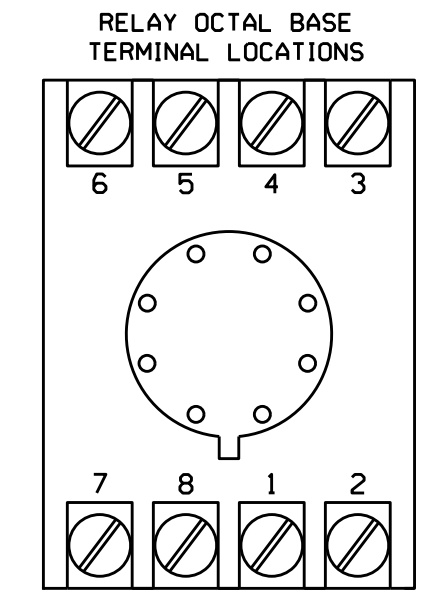


THIS ELECTRICAL DETAIL IS FOR
THE SIGNAL DESIGN: 05-1642T5
DESIGNED: December 2015
SEALED: 2/1/2016
REVISED: N/A

**DOCUMENT NOT CONSIDERED FINAL
UNLESS ALL SIGNATURES COMPLETED**

NOTES

1. RELAY K1 IS A DPDT WITH A 120VAC COIL, CONTACT RATING 120VAC, 5 AMPS.
2. THE RC NETWORK ACROSS THE COIL OF K1 IS VALUED AT .1 MICRO FARAD, 100 OHM.



Electrical Detail - Temp Design 5 (TMP Area II Phase IV, Step 3) - Sheet 3 of 3

ELECTRICAL AND PROGRAMMING DETAILS FOR: Prepared in the Offices of: 750 Greenfield Parkway, Garner, NC 27529	W. Peace Street at US 70 WB-401/NC 50 NB (Capital Blvd.) Ramps	SEAL KEITH M. MIMS ENGINEER
	Division 5 Wake County Raleigh PLAN DATE: January 2016 REVIEWED BY: T. Joyce PREPARED BY: S. Armstrong REVIEWED BY:	
REVISIONS _____ INIT. DATE		DocuSigned by: Keith M. Mims 2/2/2016 2F80796EBCD3445 DATE
		SIG. INVENTORY NO. 05-1642T5

05-1642-2016-10311
S:\MITS\SIG\T5\Sig\01\work\groups\Sig_Mon\Arms\strong\051642_sml.elec.xxx.dgn
sarmstrong