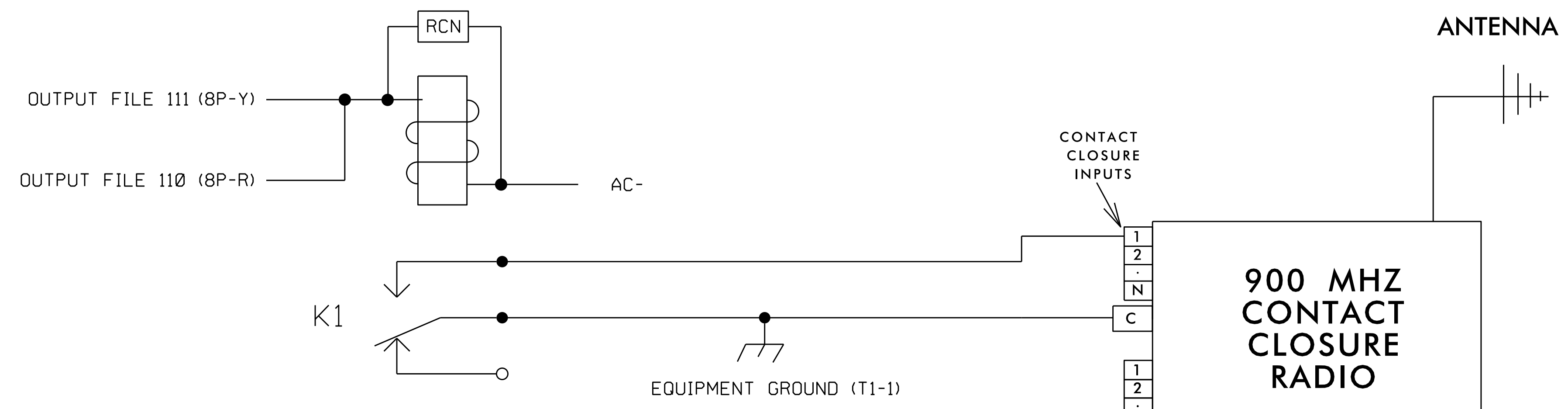


ADVANCE BEACON RELAY CONTROL DETAIL AT SIGNAL CABINET



NOTES

1. RELAY SHOWN IN THE DE-ENERGIZED STATE (PHASE 2 ACTIVE AND ADVANCE BEACONS OFF).
2. RELAY K1 IS A SPDT WITH 120VAC COIL WITH AN OCTAL BASE OR APPROVED EQUIVALENT.

ADVANCE BEACON CONTROL OVERLAP PROGRAMMING DETAIL

SE-PAC2070 CONTROLLER OVERLAP PROGRAMMING

(program controller as shown below)

FROM MAIN MENU PRESS 4 (UNIT DATA)

SE-PAC UNIT DATA	PRESS # DESIRED
1-STARTUP & MISC	6-ALT SEQUENCES
2-REMOTE FLASH	7-PORT 1 DATA
3-OVERLAP STANDARD	8-I/O MISC
4-OVERLAP SPECIAL	9-SIG DRV OUT
5-RING STRUCTURE	

F-PRIOR MENU

PRESS 'B' FOUR TIMES

SE-PAC OVERLAP - E	(0-NO/1-YES)
OVL PHASES:	010000000 0000000
PHS/CHN:	123456789 0123456789 01234
OVL CHN(S):	010000000 0000000000 00000

A-UP B-DN D-DspChn E-EDIT F-PRIOR MENU

PRESS 'B' ONE TIME

SE-PAC OVERLAP - F	(0-NO/1-YES)
OVL PHASES:	010000000 0000000
PHS/CHN:	123456789 0123456789 01234
OVL CHN(S):	000000000 0010000000 00000

A-UP B-DN D-DspChn E-EDIT F-PRIOR MENU

PRESS 'F' TO RETURN TO UNIT DATA

SE-EPAC UNIT DATA	PRESS # DESIRED
1-STARTUP & MISC	6-ALT SEQUENCES
2-REMOTE FLASH	7-PORT 1 DATA
3-OVERLAP STANDARD	8-I/O MISC
4-OVERLAP SPECIAL	9-SIG DRV OUT
5-RING STRUCTURE	

F-PRIOR MENU

SE-PAC QVLP.A...B...C...D...E...F...G...H.	
TR GRN	0 0 0 0 13 0 0 0
YEL/10	00 00 00 00 37 00 00 00
RED/10	00 00 00 00 13 00 00 00
-G/Y	0 0 0 0 0 0 0 0
+GRN	0 0 0 0 0 0 0 0

(-) #-PH G/Y KILLS QVLP= (=) #-PH G STRT

A-UP B-DN C-LT D-RT E-ENTER F-PRIOR MENU

OVERLAP PROGRAMMING COMPLETE

NOTE: OVERLAP TIMING USED TO ALLOW ADVANCE BEACONS TO FLASH 13 SECONDS PRIOR TO THE END OF PHASE 2 GREEN.

THIS ELECTRICAL DETAIL IS FOR THE SIGNAL DESIGN: 05-1046
 DESIGNED: December 2015
 SEALED: 1/25/2016
 REVISED: N/A

Electrical Detail - Sheet 2 of 3		DOCUMENT NOT CONSIDERED FINAL UNLESS ALL SIGNATURES COMPLETED
ELECTRICAL AND PROGRAMMING DETAILS FOR:	US 70 EB-401 SB/NC 50 SB (N. Dawson Street) at W. Lane Street	SEAL
Prepared in the Offices of: 750 N. Greenfield Pkwy, Garner, NC 27529	Division 5 Wake County Raleigh PLAN DATE: December 2015 REVIEWED BY: PREPARED BY: C. Strickland REVIEWED BY:	REVISIONS INIT. DATE DocuSigned by: Keith M. Mims 2/4/2016 2F80786EBCD34A5 DATE SIG. INVENTORY NO. 05-1046

03-EB-2016-01-59
 C:\PITSAS\TSS\Sigs\mimstr\ckl\and\051046_sml_e.xxx.dgn
 cbsr\ckl\and