



Designed by
Paul Chan 6/3/2016

DOCUMENT NOT CONSIDERED FINAL
UNLESS ALL SIGNATURES COMPLETED

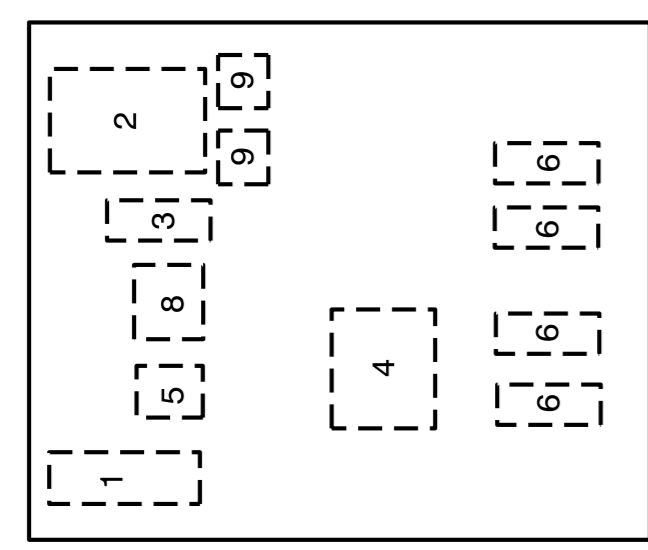
STATE OF NORTH CAROLINA
DEPT. OF TRANSPORTATION
DIVISION OF HIGHWAYS
RALEIGH, N.C.

ENGLISH STANDARD DRAWING FOR
LIGHT CONTROL SYSTEM
SCHEMATIC

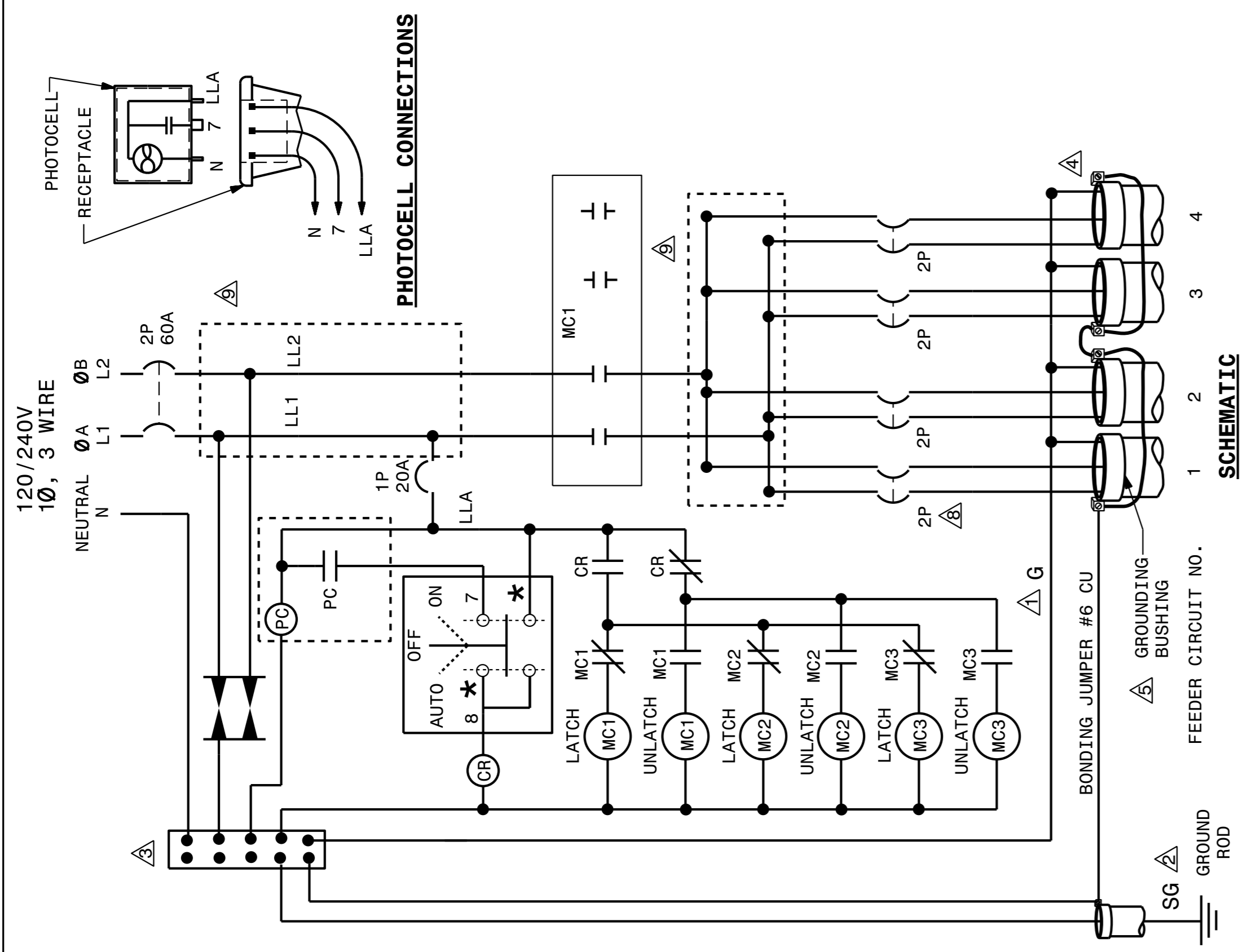
1-12

SHEET 1 OF 3
1408D01

- NOTES**
- 1 EQUIPMENT GROUNDS (G) SHALL BE SIZED ACCORDING TO CIRCUIT DESCRIPTION. SEE PLANS.
 - 2 SYSTEM GROUND (SG) SHALL BE CONTINUOUS FROM THE NEUTRAL BAR TO THE GROUNDING ELECTRODE (GROUND ROD).
 - 3 THE NEUTRAL BAR SHALL BE BONDED TO THE PANEL.
 - 4 FEEDER CIRCUITS NOT SHOWN ON THE PLANS SHALL NOT BE INSTALLED, BUT CONDUIT SHALL BE INSTALLED AND CAPPED.
 - 5 INSTALL A GROUNDING BUSHING ON EACH METAL CONDUIT. CONNECT BONDING JUMPER AS REQUIRED BY NEC.
 - 6 SEE STANDARD DRAWING 1408.01 SHEET 3 OF 3 FOR ENCLOSURE.
 - 7 THE CONTROL SYSTEM MUST BE LABELED "SUITABLE FOR USE AS SERVICE EQUIPMENT." REFER TO STANDARD SPECIFICATION 1408-2 FOR OTHER REQUIREMENTS.
 - 8 SEE PLANS FOR BREAKER SIZES.
 - 9 PROVIDE MULTI-TAP LOAD LUGS OR POWER DISTRIBUTION BLOCKS.
 - 10 PROVIDE MANUFACTURER SUPPLIED MOUNTING BRACKETS OR SCREW STUDS PERMANENTLY ATTACHED TO THE BACK PANEL, FOR MOUNTING COMPONENTS.
 - 11 INSTALL LIGHTNING ARRESTOR ON OUTSIDE OF CABINET ASSEMBLY.



#	QTY	DESCRIPTION	SPECIFICATIONS
1	1	NEUTRAL BAR	
2	1	SERVICE CIRCUIT BREAKER	2P, 240V, 60A
3	1	CONTROL CIRCUIT BREAKER	1P, 120V, 15A
4	1	MECHANICALLY HELD CONTACTORS	4P, 240V, 60A W/120V COIL
5	1	CONTROL RELAY W/NC & NO CONTACT	120V, 10A, W/120V COIL
6	4	FEEDER CIRCUIT BREAKERS	2P, 240V, 50A MAX
7	1	LIGHTNING ARRESTER	
8	1	SELECTOR SWITCH (ON-OFF-AUTO)	120V, 10A
9	4	POWER DISTRIBUTION LUGS OR BLOCKS	
		MOUNTING BRACKETS OR SCREW STUDS	

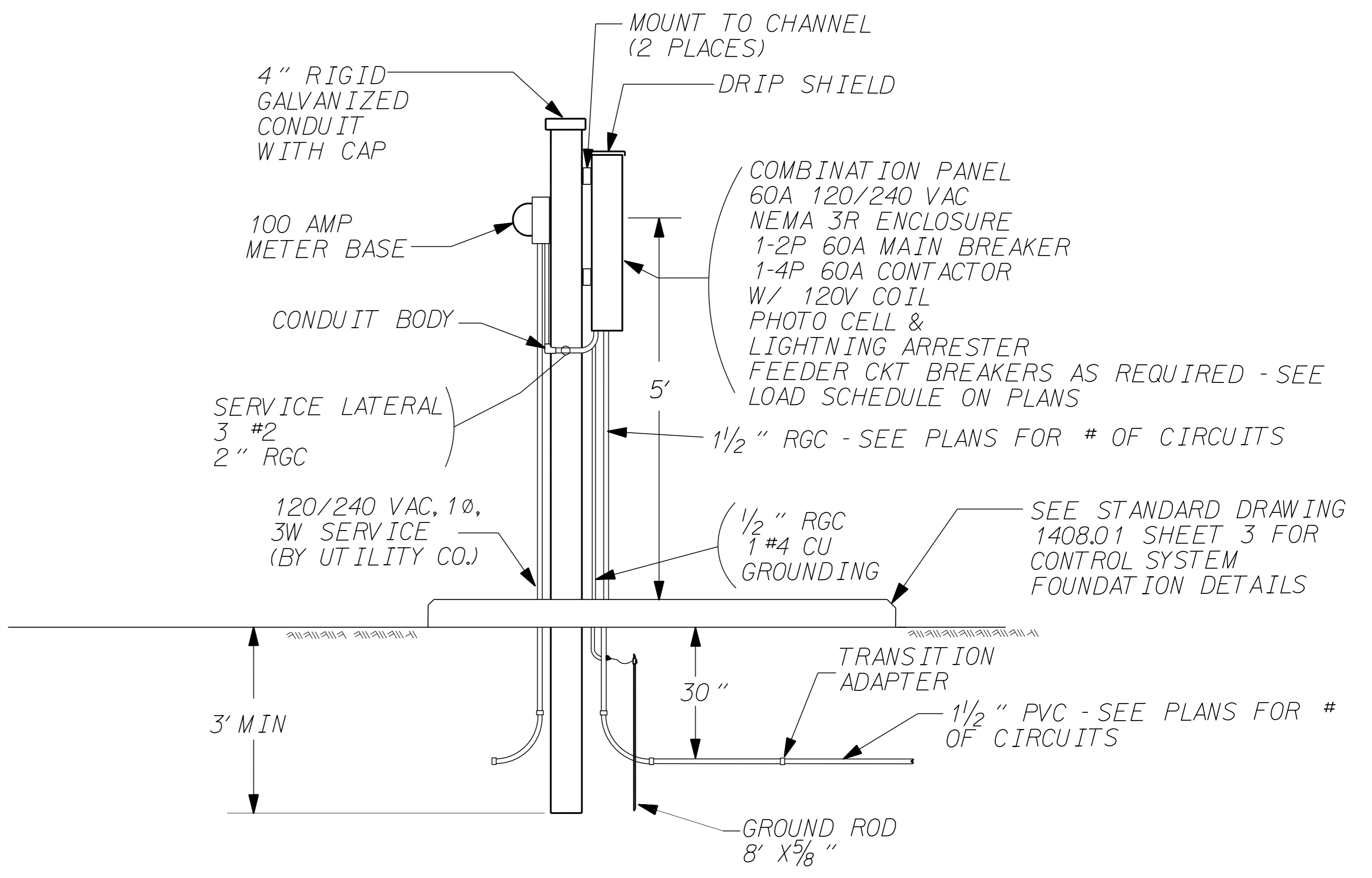


STATE OF NORTH CAROLINA
DEPT. OF TRANSPORTATION
DIVISION OF HIGHWAYS
RALEIGH, N.C.

ENGLISH STANDARD DRAWING FOR
LIGHT CONTROL SYSTEM
SCHEMATIC

1-12

SHEET 1 OF 3
1408D01



LIGHTING CONTROLLER/SERVICE ENTRANCE EQUIPMENT
SQUARE D NIGHT-MASTER CLASS 8903 LONG VERSION OR APPROVED EQUAL

2			
1			
Rev.	Date	Description	Approved
NORTH CAROLINA DEPARTMENT OF TRANSPORTATION ROADWAY DESIGN LIGHTING/ELECTRICAL SECTION 120/240V LIGHT CONTROL SYSTEM DETAILS AND NIGHTMASTER CONTROL SYSTEM WAKE COUNTY			
Drawn By:	AB	Approved By:	Dwg No.:

03-JUN-2016 10:50
 R:\Lighting\Lighting Design\B5121-B5317-LE_PSH-E5.dgn
 \$\$\$DGSERNAME\$\$\$